

A - T R A C

LINERS • PISTONS • VALVES

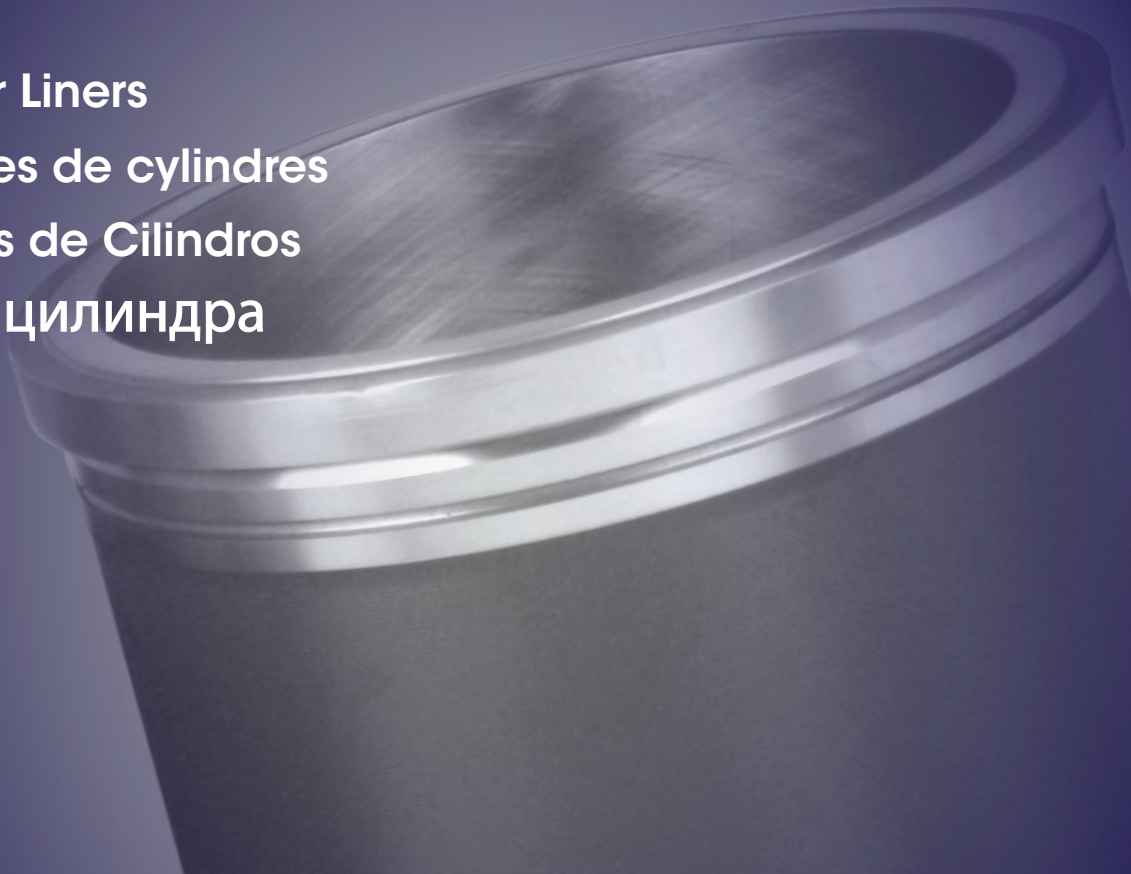
Your Champion for
Engine Spare Parts.

Cylinder Liners

Chemises de cylindres

Camisas de Cilindros

Гильза цилиндра



Quality • Consistency • Range

www.atracparts.com

Technical Terms

Abbreviation :

A = Bore Dia B = Bottom Dia C = Total Length D = Collar Dia
 E = Collar Height F = Comp. Height FL = Fire Lip



Packaging Box for Arrow Liner



Fitting Recommendations :

Semi-finished cylinder liners:

The surface which supports the flange must be vertical to the location bore and it must be sufficiently and evenly bevelled. If the liner flange is unevenly supported it can tear off. After the installation of the liner, which is only semi-finished in its inside diameter, this cylinder boring is finely bored and then finished by honing until it has the specified dimensions or, in the case of a finely bored liner, it is only finished by honing (tolerance according to DIN/ISO H5). The surface of the liner must be flush to the sealing surface of the cylinder block; if necessary, the block surface and the liner must be finished by surface grinding.

Finished cylinder liners:

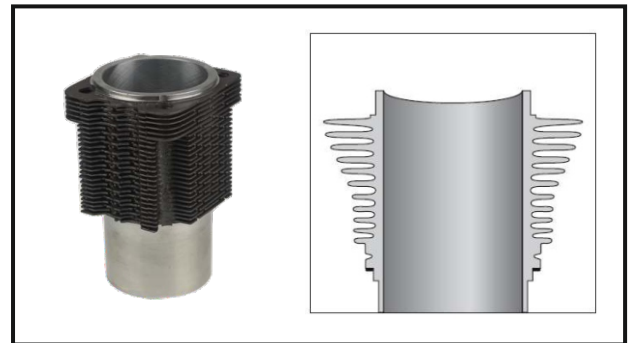
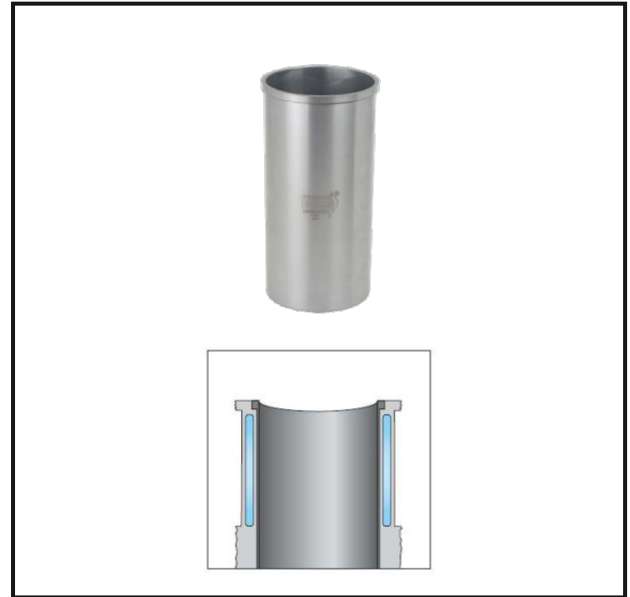
Before the liner is installed, the locating bore in the cylinder block must be cleaned carefully, and must be checked to ensure the accuracy of the dimensions and to determine whether any distortion has occurred. Out-of-centre or damaged bores can be reworked for the installation of oversize liners. It is important for this that the locating bore is cylindrical, as this is what determines the geometrical shape of the inside of the pressed-in, thin-walled liner.

Wet cylinder liners:

The location bores and particularly the running surfaces in the cylinder block must be cleaned carefully, and they must be undamaged. Corroded surfaces must be reworked (use flange liners and outer diameter oversize liners). As this is done, make sure that the liners move in easily and that they take up the correct position (the projecting length of the liner must be in accordance with the regulations of the engine manufacturer). After the liner has been installed with the seal rings that belong to it (use slip agent), the cylinder diameter is to be checked – particularly in the region of the seal rings – so as to determine whether any deformation has been caused by pinched sealing rings. Using the wrong sealing rings (wrong diameter/wrong material) can cause a narrowing of the cylinder, which can lead to engine damage.

Finned cylinders:

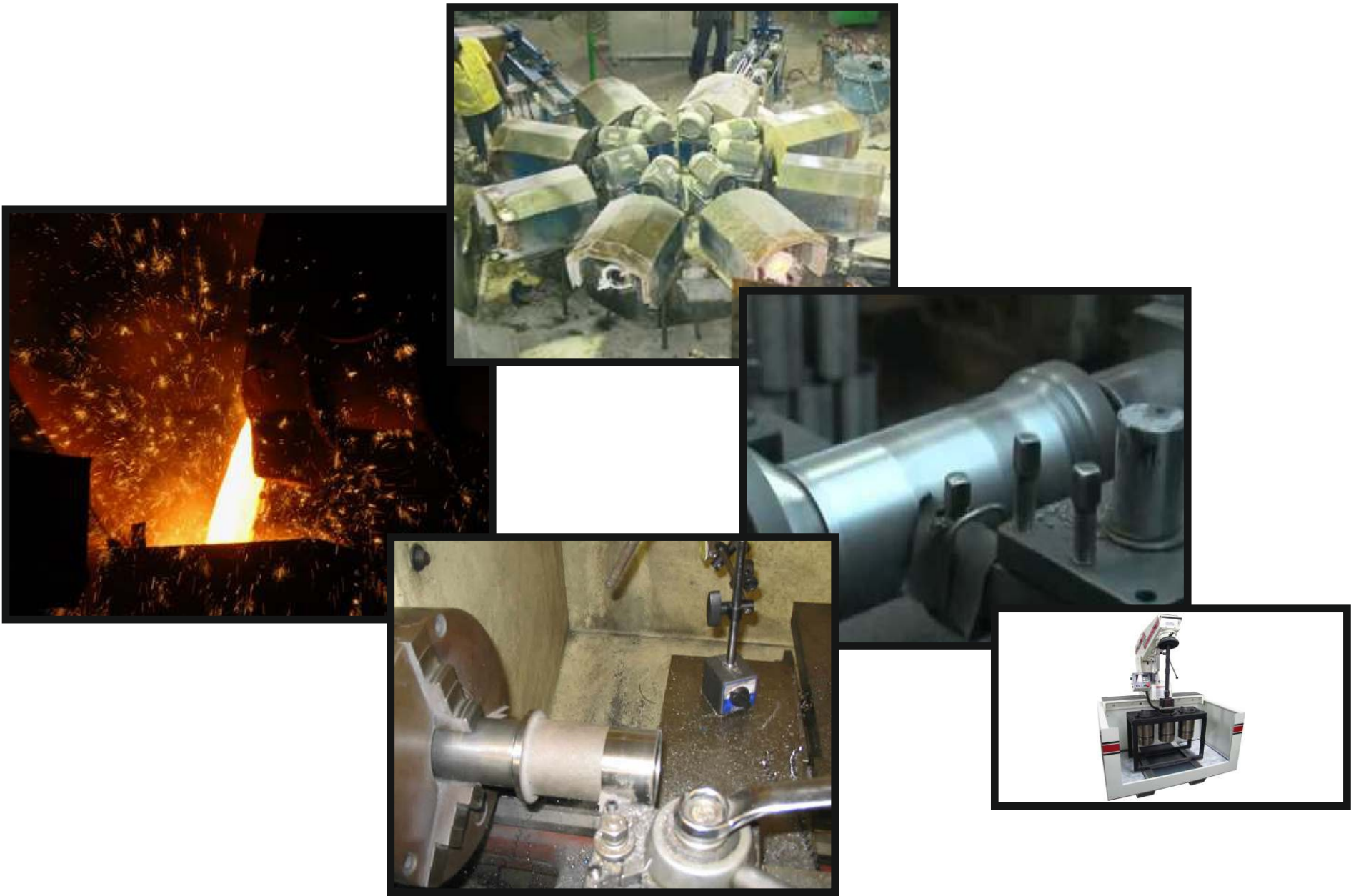
In accordance with the instructions from the engine manufacturer, cast iron cylinders or light alloy cylinders are used. Light alloy cylinders (e. g. with running surfaces made of NIKASIL® or SILUMAL®) are separated into several groups due to the small installation clearances in the standard cylinder dimensions.



Additional Catalogues for Engine Parts



Manufacturing Facilities



Quality Control



Warehouse



INDEX

AJIT	KAWASAKI
ANDORIA	KIA
ATLAS COPCO	KIRLOSKAR
AUDI	KNORR-BREMSE
AUSTIN	KOMATSU
B.M.C	KUBOTA
BAJAJ	LANDROVER
BEDFORD	LEYLAND
BERLIET	LISTER
BERNARD	LOMBARDINI
BLACKSTONE	MACK
BUKH	MAHINDRA
CADILLAC	MAN
CASE	MARUTI
CATERPILLAR	MASSEY FERGUSON \ PERKINS
CHANGCHAI	MAXION
CHRYSLER	MAZDA
CITROEN	MERCEDES
COMET	MITSUBISHI
CUMMINS	MOBYLETTE
DACIA	MWM
DAE DONG	NISSAN/DATSUN
DAEWOO	OPEL
DAF	PEGASO
DAIHATSU	PETTER
DAVID BROWN	PEUGEOT
DETROIT	PORSCHE
DEUTZ	RENAULT
DONGFENG	ROBSON
EICHER	RUMANIA
EKM	RUSSIAN BELARUS
FIAT	RUSTON
FIAT IVECO	SAVIEM
FORD	SCANIA
FORTSCHRITT TRACTOR	SENDLING
GARDNER	SHIBAURA
GMC	SIFENG
HATZ	SKODA
HELWAN	SLAVIA
HERCULES MOTOR	STEYR
HINO	SUZUKI
HONDA	TATRA
HYUNDAI	TOYOTA
IFA	TRIUMPH
INTERNATIONAL (IHC)	VALMET TRACTOR
ISUZU	VOLKSWAGEN
JAGUAR	VOLVO
JENBACH	WESTINGHOUSE
JIANG DONG	YAMAHA
JINMAR	YANMAR
JOHN DEERE	ZETOR
KAMAZ	

Item Code	Description	Engine	Model	O.E.M. No	Reference No
A011A02010000N	AIR COOLED CYLINDER BLOCK (PLAIN BORE) AJIT 102 (DIA.-102.00MM) 8 HOLES (REGULAR) BOTTOM DIA.-109.96	AJIT	102		
A011A02050000N	AIR COOLED CYLINDER BLOCK (PLAIN BORE) AJIT 95 (DIA.-95.00MM) 6 HOLES ON TOP COLLAR & 8 HOLES ON BOTTOM COLLAR	AJIT	95		
C411A02020000N	CYLINDER LINER (PLAIN BORE) AJIT 102 (DIA.-102.00MM)	AJIT	102 (W/C)		
C411A02040000N	CYLINDER LINER (PLAIN BORE) AJIT 114.30;PETTER/KIRLOSKAR 25HP (DIA.-114.30MM)	AJIT	114.30 (W/C)		
C411A02060000N	CYLINDER LINER (PLAIN BORE) AJIT 95 (DIA.-95.00MM)	AJIT	95 (W/C)		
C411A04010017N	CYLINDER LINER (PLAIN BORE) ANDORIA S-231 OR URSUS TRACTOR C-330 (DIA.-102.00MM) BRIGHT BODY	ANDORIA	S-231	OEM # 50010710	
C411A04020017N	CYLINDER LINER (PLAIN BORE) ANDORIA S-320 (18 HP) DIA.-120.00MM (BRIGHT BODY)	ANDORIA	S-320 (18 H.P.)	OEM # 150234 & S32011171	
C411A04030000N	CYLINDER LINER (PLAIN BORE) ANDORIA S-321 (DIA.-135.00MM)	ANDORIA	S-321	OEM # 150762	
A011A10010026N	AIR COOLED CYLINDER BLOCK (PLAIN BORE) ATLAS COPCO ST35 DD/ST71 DD/ST95 DD (2 CYL) DIA.-130.00MM (SMALL)	ATLAS COPCO	ST35 DD/ST71 DD/ST95 DD	16140306	AE # SJ351128B
A011A10010012N	AIR COOLED CYLINDER BLOCK (PLAIN BORE) ATLAS COPCO ST35 DD/ST71 DD/ST95 DD 2 CYL)DIA.-220.00MM(BIG)	ATLAS COPCO	ST35 DD/ST71 DD/ST95 DD	16140305	AE # SJ351129B
SLVS04422	SEMI-FINISH SLEEVE 81.00 X 85.00 X 148.00 X 86.60 X 4.90 (AUDI DT/JU 1595cc 1.6L, FORD)	AUDI	DT/JU 1595cc 1.6L		CENTERIFUGA L # A1781 & FADECYA # AE3004

Item Code	Description	Engine	Model	O.E.M. No	Reference No
SLVS00709	SEMI-FINISH SLEEVE 79.374 X 82.969 X 171.450 (AUSTIN HEALEY 100) 6 CYL	AUSTIN	HEALEY 100		CLIENT REF # CL 198
SLVS00826	SEMI-FINISH SLEEVE 83.324 X 87.935 X 171.450 (AUSTIN HEALEY 3000) 6 CYL	AUSTIN	HEALEY 3000		CLIENT REF # CL759
C411B08110027N	CYLINDER LINER (PLAIN BORE) B.M.C (SPECIAL SIZE) BLACK FINISH (98.50 X 108.189 X 117.094 X 8.89 X 221.539 (0.889 X 102.60))	B.M.C			AE # SJ351108ZWS
C411B08100027N	CYLINDER LINER (PLAIN BORE) B.M.C (SPECIAL SIZE) BLACK FINISH (98.50 X 110.592 X 117.094 X 8.89 X 221.539 (0.889 X 102.60))	B.M.C			AE # SJ259102WS
C411B08080017N	CYLINDER LINER (PLAIN BORE) B.M.C 98 (4,6 CYL) OR LEYLAND (DIA.-98.00MM) WHITE BODY	B.M.C	98		AE # SJ351047
C411B08030000N	CYLINDER LINER (PLAIN BORE) B.M.C 98 (DIA.-98.00MM) NEW MODEL	B.M.C	98 (NEW MODEL)		AE # SJ351172
C411B08070000N	CYLINDER LINER (PLAIN BORE) B.M.C LEYLAND AUSTIN 3.8 LTR (DIA-100.00MM)	B.M.C	3.8 LTR.		AE # SJ590701
C411B08010000N	CYLINDER LINER (PLAIN BORE) B.M.C OR LEYLAND (DIA.-95.00MM)	B.M.C	-		
C411B08060000N	CYLINDER LINER (PLAIN BORE) B.M.C OR LEYLAND 38J/T/VD (3.8 LTR.),57J/JC/VD (5.7 LTR.) DIA-100.00MM (100.000 X 106.312 X 114.224 X 11.176 X 223.076 (0.889 X 103.000))	B.M.C	38J/T/VD		AE # SJ553504
C411B08080028N	CYLINDER LINER(PLAIN BORE)B.M.C 98(4,6 CYL),GAK-30 OR LEYLAND(DIA.-98.00MM)FULLY BLACK FINISH	B.M.C	98, GAK-30		

Item Code	Description	Engine	Model	O.E.M. No	Reference No
A011B01020000N	AIR COOLED CYLINDER BLOCK (PLAIN BORE) BAJAJ 3 WHEELER (3 PORT) DIA.-57.00MM	BAJAJ	3 WHEELER		
C411B04030000N	CYLINDER LINER (PLAIN BORE) BEDFORD/GOLFLEUR (CLAYTON DEWANDRE) AIR COMP. (DIA.-66.675MM)	BEDFORD	GOLFLEUR		
AECO-NP-06300	FULLY FINISH SLEEVE 98.42 X 104.73 X 215.10 X 111.94 X 4.85 (BEDFORD-CIMARRON C-50, 200D)	BEDFORD	C-50, 200D		FADECYA # UCO0100
SLVS03060	SEMI-FINISH SLEEVE 103.175 X 107.900 X 216.150 X 111.050 X 4.770 (BEDFORD J4 (220))	BEDFORD	J4		AE # RSE45722
SLVS01521	SEMI-FINISH SLEEVE 103.175 X 108.052 X 216.150 X 112.500 X 5.000 (BEDFORD J4/J6 (220/330))	BEDFORD	J4/J6		
SLVS00100	SEMI-FINISH SLEEVE 103.19 X 107.95 X 216.30 X 111.13 X 4.76 (BEDFORD J4/J6 (220/330))	BEDFORD	J4/J6		MAHLE # 069WV03
SLVS00255	SEMI-FINISH SLEEVE 115.888 X 120.449 X 238.989 X 128.397 X 9.906(BEDFORD 500 PHASE-II) COPPER COATED	BEDFORD	500 PHASE-II		
A011B05060000N	AIR COOLED CYLINDER BLOCK (PLAIN BORE) BERLIET OR R.V.I. R-310 (DIA.-100.00MM)	BERLIET	R-310		PART # 0000151585 & KONEKS # 124200
A011B05070000N	AIR COOLED CYLINDER BLOCK (PLAIN BORE) BERLIET OR R.V.I. R-385 (DIA.-100.00MM)	BERLIET	R-385		PART #=5600426103 C
C411B05080000N	CYLINDER LINER (PLAIN BORE) BERLIET / RVI - 720 (DIA.-102.00MM)	BERLIET	720		MAHLE # 592WN05
C411B05020000N	CYLINDER LINER (PLAIN BORE) BERLIET / RVI - M 420 M 520 & M 620 (DIA-120.00MM)	BERLIET	M 420 M 520 & M 620		MAHLE # 209WN04

Item Code	Description	Engine	Model	O.E.M. No	Reference No
C411B05090000N	CYLINDER LINER (PLAIN BORE) BERLIET / RVI - MID/MIP 620.30 (DIA 120.00MM)	BERLIET	MID/MIP 620.30		MAHLE # 209WN13
C411B05050020N	CYLINDER LINER (PLAIN BORE) BERLIET / RVI - MIS/MIDS 620.30 (DIA 120.00MM) COLLAR DIA - 147.00	BERLIET	MIS / MIDS 620.30	OEM # 5000658755	KS # 89078110 & MAHLE # 209WN12
C411B05050021N	CYLINDER LINER (PLAIN BORE) BERLIET / RVI - MIS/MIDS 620.30 (DIA 120.00MM) COLLAR DIA - 147.30	BERLIET	MIS / MIDS 620.30	OEM # 5000658756	KS # 89420110 & MAHLE # 209WN17
C411B05040000N	CYLINDER LINER (PLAIN BORE) BERLIET OR R.V.I. MIDR 623.56 (DIA-123.00MM)	BERLIET	MIDR 623.56		YENMAK # 5227000 KONEKS # 124700 & PERFECT CIRCLE # PC630035200 6D23
SLVS00413	SEMI-FINISH SLEEVE 64.00 X 68.00 X 190.00 X 70.00 X 3.50 (BERNARD)	BERNARD	-		
SLVS00473	SEMI-FINISH SLEEVE 69.00 X 73.00 X 190.00 X 75.00 X 4.00 (BERNARD)	BERNARD	-		
SLVS00881	SEMI-FINISH SLEEVE 85.00 X 89.00 X 216.00 X 91.00 X 4.00 (BERNARD)	BERNARD	-		
C391B07080000N	CYLINDER LINER (H/C BORE) BLACKSTONE RP; 37 HP (DIA.- 222.25MM)	BLACKSTONE	RP; 37 H.P.		
AECO-NP-10363	CYLINDER LINER (PLAIN BORE) BLACKSTONE ER (DIA.- 222.25MM) BRIGHT BODY	BLACKSTONE	ER	*	
C411B07040017N	CYLINDER LINER (PLAIN BORE) BLACKSTONE JP; 16 HP (DIA.- 149.22MM) BRIGHT BODY	BLACKSTONE	JP; 16 HP	X31/38150	

Item Code	Description	Engine	Model	O.E.M. No	Reference No
C411B07070017N	CYLINDER LINER (PLAIN BORE) BLACKSTONE OP; 26 HP (DIA.- 184.15MM) BRIGHT BODY	BLACKSTONE	OP; 26 H.P.	X68/13120	
C411B15050000N	CYLINDER LINER (PLAIN BORE) BUKH G-105/GH-105 (DIA.- 105.00MM)	BUKH	G-105		
C411C01010000Y	CYLINDER LINER (PLAIN BORE) CADILLAC - 4.1 Ltr. (252 Cu. in) DIA.-88.00MM	CADILLAC	4.1 Ltr.	1618000*	
C411C01020000Y	CYLINDER LINER (PLAIN BORE) CADILLAC - SA 170 (DIA.- 92.00MM)	CADILLAC	SA-170		
C411C02020000N	CYLINDER LINER (PLAIN BORE) CASE A-267 & A-401BD (DIA.- 104.75MM)	CASE	A-267 & A- 401BD	OEM # A148089	
C411C02030000N	CYLINDER LINER (PLAIN BORE) CASE A-301BD & A-451D (DIA.- 111.125MM)	CASE	A-301BD & A- 451D	OEM #=A 59093	
C411C02040000N	CYLINDER LINER (PLAIN BORE) CASE A301D,301DF,A451D (DIA.- 111.13MM)	CASE	A301D, 301DF, A451D	OEM # A23660	
C411C02050000N	CYLINDER LINER (PLAIN BORE) CASE A336BD,A504BD (DIA.- 117.475MM)	CASE	A336BD, A504BD	A153638*	
C411C02050062N	CYLINDER LINER (PLAIN BORE) CASE A336BD,A504BD (DIA.- 117.475MM) SA	CASE	A336BD, A504BD	OEM # A153638	AE # WS537
C411C02130000N	CYLINDER LINER (PLAIN BORE) CASE G-188D (DIA.-96.83MM)	CASE	G-188D	A39006*	
C411C02140000N	CYLINDER LINER (PLAIN BORE) CASE G-207D (DIA.-101.60MM)	CASE	G-207D	A136474*	
C411C03230000N	CYLINDER LINER (PLAIN BORE) CATERPILLAR 197-9330 (345D/C13) DIA.-130.00MM	CATERPILLAR	197-9330 (345D/C13)	*	

Item Code	Description	Engine	Model	O.E.M. No	Reference No
C411C03040000N	CYLINDER LINER (PLAIN BORE) CATERPILLAR 3406,3408 (6,8 CYL) DIA.-137.16MM	CATERPILLAR	3406	2W6000, 7W3550, 1W6280 & 1979322*	CENTRIFUGAL # UCO4842 (WHITE) UCO4841 (BLACK) MAHLE # 127WN10 BF # 20041533002 & FADECYA#UCO 1035
AECO-NP-06991	CYLINDER LINER (PLAIN BORE) CATERPILLAR 3508, 3512, 3516 (DIA.-170.00MM)	CATERPILLAR	3508, 3512, 3516	2117826, 1189494 & 1106993	
C411C03070000N	CYLINDER LINER (PLAIN BORE) CATERPILLAR D330A/333A (DIA.- 114.30MM)	CATERPILLAR	D330A/D333 A	8S2240, 4A8166, 3S1850 & 5L7701*	BF # 20041533000 KS # 89305110 MAHLE # 127WN03 CENTRIFUGAL # UCO4501 & FADECYA # UCO0857
C411C03060000N	CYLINDER LINER (PLAIN BORE) CATERPILLAR D330C/3304,D333C/3306,1673C (D-4D) DIA.-120.65MM	CATERPILLAR	D330C/3304, D333C/3306	2P8889, 9S6557, 5S6346, 8S2669 & 1105800*	BF # 20041533001 KS # 89303110 MAHLE # 127WN07 & CENTRIFUGAL # UCO4502 (WHITE) UCO4503 (BLACK)
C411C03240000N	CYLINDER LINER (PLAIN BORE) CATERPILLAR D340/D343/D346/D348/D349 (DIA.-137.16MM) 137.16 X 155.37 X X 305.13 X 165.23 X 13.39 X ?? X 1.17	CATERPILLAR	D340/D343/ D346/D348/ D349	OEM # 1260739 & 6N8700	DIA. # CTCL13711F

Item Code	Description	Engine	Model	O.E.M. No	Reference No
C411C03250000N	CYLINDER LINER (PLAIN BORE) CATERPILLAR D364 (DIA.- 146.00MM) 146.00 X 168.00 X 382.00 X 177.50 X 13.97 X ?? X 1.15	CATERPILLAR	D364	8N5676	DIA # CTCL14601F
AECO-NP-06048	CYLINDER LINER(PLAIN BORE)CATERPILLAR D315, D318(DIA.-114.30 X 131.80 X 271.00 X 142.50 X 9.50)	CATERPILLAR	D315, D318		CENTRIFUGAL # UCO4500 (STD)
AECO-NP-06049	CYLINDER LINER(PLAIN BORE)CATERPILLAR D343,D346,D348(137.16x155.50 x305.20x165.20x13.30)	CATERPILLAR	D343, D346, D348		CENTRIFUGAL # UCO4746 (WHITE) UCO4747 (BLACK)
AE13437	CYLINDER LINER(PLAIN BORE)CATERPILLAR G353, D379, G379, D398, G398,D399 (DIA.- 158.75MM)(158.75 X 180.82 X 382.00 X 190.5 7 X 12.85 X ?? X 1.117)	CATERPILLAR	G353, D379, G379, D398, G398,D399	8N9174	ARCO # CTCL15871F
SLVS04694	SEMI-FINISH SLEEVE 101.60 X 105.00 X 195.00 (CATERPILLAR 3064, 3066)	CATERPILLAR	3064, 3066	517523	DIA. # CTCS10161S
SLVS05067	SEMI-FINISH SLEEVE 102.00 X 105.00 X 195.50 (CATERPILLAR S6K7) FULLY BLACK FINISH	CATERPILLAR	S6K7		CENTERIFUGA L # UC6257 (STD)
SLVS00132	SEMI-FINISH SLEEVE 105.00 X 109.82 X 197.00 (CATERPILLAR 3116)	CATERPILLAR	3116	7C6208	CENTRIFUGAL # UC4951
SLVS04056	SEMI-FINISH SLEEVE 110.00 X 114.85 X 197.00 (CATERPILLAR 3126)	CATERPILLAR	3126	1077604	FADECYA # UC0633
SLVS00233	SEMI-FINISH SLEEVE 114.30 X 119.15 X 197.00 (CATERPILLAR 3204,3208)	CATERPILLAR	3,20,43,208	9N6275	MAHLE # 127WV11 BF # 20041532080 CENTRIFUGAL # UC4952 & FADECYA # UC1976

Item Code	Description	Engine	Model	O.E.M. No	Reference No
C411C04010051Y	CYLINDER LINER (PLAIN BORE) CHANGCHAI S-1100 (DIA.- 100.00MM) FULLY BROWN COATED LINER	CHANGCHAI	S-1100	*	
AECO-NP-12349	CYLINDER LINER (PLAIN BORE) CHANGCHAI ZS 1100 (A2) DIA.- 100.00MM	CHANGCHAI	ZS 1100 (A2)		
AECO-NP-06053	CYLINDER LINER (PLAIN BORE) CHRYSLER (DODGE) 2.5 TD (92.00 X 101.10 X 167.80 X 109.95 X 8.86)	CHRYSLER	2.5 TD		CENTRIFUGAL # UCO6197 (STD)
AECO-NP-06051	SEMI-FINISH SLEEVE 86.12 X 90.50 X 148.60 X 92.10 X 4.90 (CHRYSLER (DODGE))	CHRYSLER	CHRYSLER		CENTRIFUGAL # A1064
AECO-NP-06306	SEMI-FINISH SLEEVE 86.13 X 90.89 X 132.60 X 92.48 X 4.76 (CHRYSLER-DODGE)	CHRYSLER	CHRYSLER		FADECYA # A0938
AECO-NP-06307	SEMI-FINISH SLEEVE 86.13 X 90.89 X 145.50 X 92.48 X 4.76 (CHRYSLER-DODGE)	CHRYSLER	CHRYSLER		FADECYA # A0964
SLVS04426	SEMI-FINISH SLEEVE 86.36 X 91.12 X 177.00 X 92.71 X 4.76 (CHRYSLER-DODGE)	CHRYSLER	DODGE		FADECYA # A0094
SLVS04432	SEMI-FINISH SLEEVE 87.31 X 92.00 X 203.00 X 93.60 X 4.80 (CHRYSLER (DODGE))	CHRYSLER			CENTRIFUGAL # A7
SLVS03049	SEMI-FINISH SLEEVE 74.00 X 77.20 X 140.00 X 79.00 X 5.00 (CITROEN)	CITROEN	-		
SLVS03048	SEMI-FINISH SLEEVE 77.00 X 80.20 X 135.00 X 81.85 X 5.00 (CITROEN)	CITROEN	-		
SLVS04427	SEMI-FINISH SLEEVE 83.00 X 87.76 X 153.50 X 89.40 X 4.90(CITROEN 162,D9A/B,JY,XUD 9;HYUNDAI;LADA)	CITROEN	162,D9A/B,JY ,XUD 9		CENTRIFUGAL # A6125 (STD) & FADECYA # A1875
SLVS01257	SEMI-FINISH SLEEVE 93.00 X 97.50 X 163.00 X 99.00 X 5.00(CITROEN CX2500 DIESEL)	CITROEN	CX2500 DIESEL		PERFECT CIRCLE # 60474480
SLVS03778	SEMI-FINISH SLEEVE 93.015 X 96.100 X 163.00 (CITROEN CX25 D /78)	CITROEN	CX25 D /78		GOETZE # 1401348100

Item Code	Description	Engine	Model	O.E.M. No	Reference No
AECO-NP-06055	SEMI-FINISH SLEEVE 94.00 X 97.00 X 170.30 X 99.40 X 3.95 (CITROEN XD3P, 2498cc; FORD)	CITROEN	XD3P		CENTRIFUGAL # A1642 (STD)
A011C11040019N	AIR COOLED CYLINDER BLOCK (PLAIN BORE) COMET 10 HP (DIA.-102.00MM) COMP. HT.-191.00MM	COMET	10 HP		
A011C11040020N	AIR COOLED CYLINDER BLOCK (PLAIN BORE) COMET 10 HP (DIA.-102.00MM) COMP. HT.-194.00MM	COMET	10 HP		
A011C11080019N	AIR COOLED CYLINDER BLOCK (PLAIN BORE) COMET 8 HP (DIA.-95.00MM) COMP. HT.-191.00MM	COMET	8 HP		
A011C11010000N	AIR COOLED CYLINDER BLOCK (PLAIN BORE) ROCKET OR COMET 3.5 HP (DIA.-80.00MM) SPECIAL TYPE	COMET	3.5 HP		
C411C11050000N	CYLINDER LINER (PLAIN BORE) COMET 10 HP (VRC 8) / 12 HP (DIA.-102.00MM)	COMET	10 HP (VRC 8) / 12 HP	10179*	PART # 10179
C411C11010000N	CYLINDER LINER (PLAIN BORE) COMET 3.5 HP (DIA.-76.00MM)	COMET	3.5 HP		
C411C11090000N	CYLINDER LINER (PLAIN BORE) COMET 8 HP (DIA.-95.00MM)	COMET	8 HP	10178	PART # 10178
C411C15220047Y	CYLINDER LINER (PLAIN BORE) CUMMINS 6C,ISC (DIA.-114.00MM) (114.00 X 127.00 X 235.30 X 130.95 X 14.70 X 119.10 X 1.20) BLACK FINISH AS PER ORIGINAL SAMPLE.	CUMMINS	6C, ISC	3948095 & 3944344*	PAI # 161633 & KIT OEM # 3800319
C411C15040024N	CYLINDER LINER (PLAIN BORE) CUMMINS 6C,ISC,ET114 (WHITE OR BRIGHT FINISH) 114.00 X 125.68 X 238.30 132.94 X 14.10(119.10 + 1.10) X COMP. HT.-123.20	CUMMINS	6C, ISC, ET114	3802370 & 3907792	PAI # 161631 & CENRIFUGAL # UCO4538

Item Code	Description	Engine	Model	O.E.M. No	Reference No
C411C15040022N	CYLINDER LINER (PLAIN BORE) CUMMINS 6C,ISC,ET114 (WHITE OR BRIGHT FINISH) WET LINER (114.00 X 125.68 X 238.30 X 130.95 X 14.10) 119.10 + 1.10 X COMP. HT.-123.05	CUMMINS	6C, ISC, ET114	OEM # 3919937 & 3802407	CENTRIFUGAL # UCO4530 & FADECYA # UCO1584
C411C15100027N	CYLINDER LINER (PLAIN BORE) CUMMINS 855,N14,NH250,NT270,NT280,NT400 OR KOMATSU (STD) BLACK FINISH 139.70 X 155.50 X 166.75 X 9.05 X 288.20 (+1.70)	CUMMINS	855 SERIES, N14, NH250, NT270, NT280, NT400	3055099 & 6710212210	CENTRIFUGAL # UCO898000 AE # WS-545 PAI # 161600 & DIA. # CMCL13971F-PF KMCL13971F-PF/TF
C411C15230000Y	CYLINDER LINER (PLAIN BORE) CUMMINS ISX (DIA.-137.00MM)	CUMMINS	ISX	4101507, 4089153, 2882764, 3682829 & 4059349	PAI # 161648 & WITH 'O' RING OEM # 4089153 -PAI # 161647
AECO-NP-06060	CYLINDER LINER (PLAIN BORE) CUMMINS KT SERIES (158.75 X 177.30 X 306.50 X 188.01 X 7.75)	CUMMINS	KT SERIES	3007710	CENTRIFUGAL # UCO4835000
C411C15070000N	CYLINDER LINER (PLAIN BORE) CUMMINS KT2300,KT19 (DIA.-158.75MM)	CUMMINS	KT2300, KT19	OEM # 3202240 & 3028434	CENTRIFUGAL # UCO4835590
C411C15060027N	CYLINDER LINER (PLAIN BORE) CUMMINS KT38, KTA38, KT50, KTA50 (DIA.-158.75MM) FULLY BLACK FINISH	CUMMINS	KT38, KTA38, KT50, KTA50	3204420(B) & 3022157, 3007525(W/O RING)	CENTRIFUGAL # UCO4835190
C411C15080000N	CYLINDER LINER (PLAIN BORE) CUMMINS L10,M11,ISM (DIA.-125.00MM)	CUMMINS	L10, M11, ISM	OEM # 3080760	CENTRIFUGAL # UCO4836 & PAI # 161625
C411C15090027N	CYLINDER LINER (PLAIN BORE) CUMMINS NH220 (130.18 X 146.00 X 303.50 X 155.65 X 11.35)BLACK FINIS	CUMMINS	NH220	184400 & BM98224*	

Item Code	Description	Engine	Model	O.E.M. No	Reference No
AECO-NP-06059	CYLINDER LINER (PLAIN BORE) CUMMINS V, VT903 SERIES (139.70 X 158.31 X 220.45 X 9.04 X 165.16)	CUMMINS	V, VT903 SERIES		CENTRIFUGAL # UCO4961(BLA CK) UCO4960 (WHITE)
C411C15140027N	CYLINDER LINER (PLAIN BORE) CUMMINS V6- 140/V352/378/155 (6 CYL),V8- 185/504/555/455/210,VT555 (8 CYL) DIA.-117.47MM (BLACK FINISH)	CUMMINS	V6- 140/V352/37 8/155 (6 CYL.), V8- 185/504/555 /455/210, VT555 (8 CYL.)	3022530 (STD)	AE # SJ351161 & CENTRIFUGAL & FADECYA # UCO1009
AECO-NP-06058	CYLINDER LINER(PLAIN BORE)CUMMINS V6-555(BLACK FINISH)117.47 X 129.29 X 192.70 X 137.25 X 16.30	CUMMINS	V6-555		CENTRIFUGAL # UCO4840
SLVS00056	SEMI-FINISH SLEEVE 102.00 X 104.62 X 200.70 (CUMMINS 4B,6B,ISB)	CUMMINS	4B,6B,ISB	OEM # 3904166, 3900396 & 3903412	CENTRIFUGAL # UC4598, EMMARK # EM5357 & PAI # 161630
C411D01000000N	CYLINDER LINER (PLAIN BORE) DACIA (DIA.-76.00MM)	DACIA	-		
C411D02010000N	CYLINDER LINER (PLAIN BORE) DAEDONG D-130 (DIA.- 95.00MM)	DAE DONG	D-130	*	
C411D02020000N	CYLINDER LINER (PLAIN BORE) DAEDONG KD-140 (DIA.- 95.00MM)	DAE DONG	KD-140	*	
C411D03010013N	CYLINDER LINER (PLAIN BORE) DAEWOO / AVIA (A-30) DIA.- 102.00MM (BLACK BODY)	DAEWOO	A-30 (AVIA)	*	KS #- 89 461 110
C411D03060000N	CYLINDER LINER (PLAIN BORE) DAEWOO D-2848 M/T (DIA.- 128.00MM)	DAEWOO	D-2848	OEM # 6501201004 9	
AE13250	CYLINDER LINER (PLAIN BORE) DAEWOO D-2848 M/T (DIA.- 128.00MM) OUTSIDE CHROME PLATED	DAEWOO	D-2848	OEM # 6501201004 9	

Item Code	Description	Engine	Model	O.E.M. No	Reference No
SLVF00018	FULLY FINISH SLEEVE 108.00 X 112.99 X 254.00 X 118.00 X 5.00 X 113.50 X 0.12(DAEWOO D-0846)	DAEWOO	D-0846	OEM # 6501201001 0	
SLVF00020	FULLY FINISH SLEEVE 111.00 X 114.99 X 233.90 X 120.00 X 5.06 X 114.00 X 0.90(DAEWOO D-1146)	DAEWOO	D-1146	OEM # 6501201005 0	
SLVF00036	FULLY FINISH SLEEVE 123.00 X 126.99 X 270.00 X 133.00 X 8.06 (DAEWOO D-2366)	DAEWOO	D-2366	OEM # 6501201005 1	CENTRIFUGAL # UCO4928
SLVS00469	SEMI-FINISH SLEEVE 68.50 X 71.50 X 120.00 (DAEWOO LABO)	DAEWOO	-		
AECO-NP-06945	FULLY FINISH SLEEVE 104.175 X 109.00 X 239.00 X 117.00 X 8.05 (DAF DNS 620, DN 620, DNT 620)	DAF	DNS 620, DN 620, DNT 620		MAHLE # 213WT01
SLVF00133	FULLY FINISH SLEEVE 104.175 X 109.000 X 238.989 X 117.064 X 8.077 (DAF DF/DT/DTD 615)	DAF	DF/DT/DTD 615		AE # SJ351028
SLVF00180	FULLY FINISH SLEEVE 104.180 X 109.000 X 239.573 X 117.064 X 5.372 (DAF DF/DT/DTD 615)	DAF	J07C, J08C		AE # RSL90734
SLVF00158	FULLY FINISH SLEEVE 118.00 X 123.50 X 262.00 X 130.60 X 6.06 (DAF RS180)	DAF	RS180		KS # 89501110 & MAHLE # 213WT09
SLVF00105	FULLY FINISH SLEEVE 118.00 X 123.50 X 262.00 X 133.60 X 10.00 (DAF DH 825 SERIES)	DAF	M35	240474, 396855, 257340, 159288 & 2684	MAHLE # 213WT02 KS # 88624110 & BF # 20040982500
AECO-NP-06061	FULLY FINISH SLEEVE 118.00 X 123.50 X 262.00 X 133.80 X 10.00 (DAF - 825 SERIES)	DAF	825 SERIES		CENTRIFUGAL # UCO1036
AECO-NP-06062	FULLY FINISH SLEEVE 130.00 X 136.00 X 288.49 X 143.900 X 10.060 (DAF WS 225, 259, 282)	DAF	WS 225, 259, 282		CENTRIFUGAL # UCO1037 & AE # SJ351351

Item Code	Description	Engine	Model	O.E.M. No	Reference No
SLVF00106	FULLY FINISH SLEEVE 130.00 X 136.02 X 288.50 X 143.60 X 10.05 (DAF DKA,DKB,DKDL,DKL,DKS,DKSE,DKT, DKTD,DKTL,DKXE)	DAF	DH 825 SERIES	OEM # 241054	MAHLE # 213WT03 KS # 88640110 & AE # SJ351020
SLVF00250	FULLY FINISH SLEEVE 88.00 X 93.00 X 183.00 X 97.00 X 3.05 X 91.00 X 1.00 (DAIHATSU DG-NEW) STD (AOC)	DAIHATSU	DG		PART # UCO-2178 X 3/32 + STD
SLVS00487	SEMI-FINISH SLEEVE 70.00 X 74.00 X 120.00 (DAIHATSU CD)	DAIHATSU	CD		
SLVS00618	SEMI-FINISH SLEEVE 76.00 X 80.00 X 140.00 (DAIHATSU CL OR NISSAN GA16DS)	DAIHATSU	CL	OEM # 1146187703	ARCO # CLDA307601P
SLVS04428	SEMI-FINISH SLEEVE 76.00 X 80.00 X 140.00 X 83.00 X 4.80 (DAIHATSU CL)	DAIHATSU	CL	OEM # 1146187703	ARCO # CLDA307601S
SLVS00998	SEMI-FINISH SLEEVE 88.00 X 93.00 X 182.00 X 97.00 X 3.00 X 93.00 X 1.00 (DAIHATSU DG)	DAIHATSU	DG	OEM # 1146187302	ARCO # CLDA408802S
AECO-NP-06462	SEMI-FINISH SLEEVE 88.00 X 93.00 X 182.00 X 97.00 X 7.00 X 93.00 X 1.00 (DAIHATSU DG)	DAIHATSU	DG	9925113110 1 & 9925113117 1	ARCO # CLDA408801S
SLVS01217	SEMI-FINISH SLEEVE 92.00 X 96.00 X 178.00 X 101.00 X 3.00 X 96.00 X 1.00 (DAIHATSU DL)	DAIHATSU	DL	OEM # 1146187303 & 1146187305	ARCO # CLDA409201S
SLVS01219	SEMI-FINISH SLEEVE 92.00 X 96.00 X 182.00 X 101.00 X 3.00 X 96.00 X 1.00 (DAIHATSU DL)	DAIHATSU	DL		
AECO-NP-08199	CYLINDER LINER(PLAIN BORE)DAVID BROWN OR CASE(DIA.-88.912MM)88.912 X 103.505 X 192.468 X 114.274 /110.744 X 7.569 X X 0.355	DAVID BROWN	DAVID BROWN		
AECO-NP-08198	CYLINDER LINER(PLAIN BORE)DAVID BROWN OR CASE(DIA.-88.912MM)88.912 X 104.762 X 192.468 X 114.274 /112.509 X 7.594 X X 0.330	DAVID BROWN	DAVID BROWN		

Item Code	Description	Engine	Model	O.E.M. No	Reference No
AECO-NP-08196	CYLINDER LINER(PLAIN BORE)DAVID BROWN OR CASE(DIA.-92.087MM)92.087 X 103.505 X 192.300 X 7.569 X 114.274/110.744 X X 0.355	DAVID BROWN	DAVID BROWN		PART # K009020018
AECO-NP-08197	CYLINDER LINER(PLAIN BORE)DAVID BROWN OR CASE(DIA.-92.087MM)92.087 X 104.762 X 192.468 X 114.274 /110.744 X 7.594 X X 0.330	DAVID BROWN	DAVID BROWN		PART # K00900132B
SLVS00028	SEMI-FINISH SLEEVE 100.046 X 105.080 X 212.217 (DAVID BROWN 995,996 (AD4/55) 4 CYL)	DAVID BROWN	995, 996 (AD4/55)	OEM # K964857	BEPCO # 36-80 & AE # SU351121
C411D12010000N	CYLINDER LINER (PLAIN BORE) DETROIT 53 SERIES (DIA.-98.425MM)	DETROIT	53 SERIES	OEM # 5132803 & 5121521	
AE13247	CYLINDER LINER (PLAIN BORE) DETROIT 60 SERIES (14L) DIA.-133.00MM (2nd COLLAR DIA HT. 2.50+12.30)	DETROIT	60 SERIES	OEM # 23531504, 23531250 (NEW TYPE)	CLEVITE (MAHLE) # 226-4583
C411D12060033Y	CYLINDER LINER (PLAIN BORE) DETROIT 60 SERIES (14L) NEW MODEL (DIA.-133.00MM)	DETROIT	60 SERIES	OEM # 23531504 (NEW)	CLEVITE (MAHLE) # 226-4583
C411D12060036Y	CYLINDER LINER (PLAIN BORE) DETROIT 60 SERIES (14L) OLD MODEL (DIA.-133.00MM)	DETROIT	60 SERIES	OEM # 23531504, 23531250 (OLD)	CLEVITE (MAHLE) # 226-4583
C411D12060000N	CYLINDER LINER (PLAIN BORE) DETROIT 60 SERIES (DIA.-130.00MM)	DETROIT	60 SERIES	OEM # 8929442 (1 GROOVE)	CENTRIFUGAL # UCO4859
C411D12060066Y	CYLINDER LINER (PLAIN BORE) DETROIT 60 SERIES (DIA.-130.00MM) MODIFIED UNDER COLLAR DIA (RDY)	DETROIT	60 SERIES	OEM # 23531502 (RDY)	
C411D12060055Y	CYLINDER LINER (PLAIN BORE) DETROIT 60 SERIES (DIA.-130.00MM) PART # 23531502-III	DETROIT	60 SERIES	OEM # 23531502	

Item Code	Description	Engine	Model	O.E.M. No	Reference No
C411D12060056Y	CYLINDER LINER (PLAIN BORE) DETROIT 60 SERIES (DIA.- 130.00MM) PART # 23532450-III	DETROIT	60 SERIES	OEM # 23532450	
C411D12060061N	CYLINDER LINER (PLAIN BORE) DETROIT 60 SERIES (DIA.- 130.00MM) PART # 23534264	DETROIT	60 SERIES	OEM # 23534264	
C411D12030000N	CYLINDER LINER (PLAIN BORE) DETROIT 71 SERIES (DIA.- 107.950MM)	DETROIT	71 SERIES	OEM # 23502020 & 23502021	
C411D12030058N	CYLINDER LINER (PLAIN BORE) DETROIT 71 SERIES (DIA.- 107.950MM)	DETROIT	71 SERIES	OEM # 5193733	
C411D12030059N	CYLINDER LINER (PLAIN BORE) DETROIT 71 SERIES (DIA.- 107.950MM)	DETROIT	71 SERIES	OEM # 5113953 & 23502022	AE # DS-301H
C411D12040000N	CYLINDER LINER (PLAIN BORE) DETROIT 92 SERIES (DIA.- 122.936MM)	DETROIT	92 SERIES	OEM # 5107176	
AECO-NP-06103	SEMI-FINISH SLEEVE 108.00 X 112.78 X 196.80 (DETROIT 8.2T)	DETROIT	8.2T		CENTRIFUGAL # UC4959
A011D13180000N	AIR COOLED CYLINDER BLOCK (PLAIN BORE) DEUTZ FL-411 (DIA.-92.00MM)	DEUTZ	FL-411		
A011D13080000N	AIR COOLED CYLINDER BLOCK (PLAIN BORE) DEUTZ FL-413 (DIA.-120.00MM)	DEUTZ	FL-413	OEM # 02406631 & 04186536	KS # 88562110 MAHLE # 101WR09 & BF # 20040541300
A011D13080003N	AIR COOLED CYLINDER BLOCK (PLAIN BORE) DEUTZ FL-413 (DIA.-125.00MM) COLLAR DIA.- 150.00MM	DEUTZ	FL-413	04149541, 04149542 & 04149544	KS # 89030110 MAHLE # 101WR11 101WR21 & BF # 20040551306

Item Code	Description	Engine	Model	O.E.M. No	Reference No
A011D13080004N	AIR COOLED CYLINDER BLOCK (PLAIN BORE) DEUTZ FL-413 (DIA.-125.00MM) COLLAR DIA.-154.00MM	DEUTZ	FL-413	OEM # 02423579 & 04185295	KS # 89384110 MAHEL # 101WR13 101WR23 & BF # 20040541302
A011D13090000N	AIR COOLED CYLINDER BLOCK (PLAIN BORE) DEUTZ FL-511 (DIA.-100.00MM)	DEUTZ	FL-511	014104, 02234078 & 02290638	KS # 89083110 MAHLE # 099WR20 & BF # 20040551100
A011D13100000N	AIR COOLED CYLINDER BLOCK (PLAIN BORE) DEUTZ FL-514,FL-614 (DIA.-110.00MM)	DEUTZ	FL-514, FL-614	OEM # 03365321	KS # 88113110 MAHLE # 101WR02 & BF # 20040561400
A011D13120000N	AIR COOLED CYLINDER BLOCK (PLAIN BORE) DEUTZ FL-812 (DIA.-95.00MM)	DEUTZ	FL-812	OEM # 03371449	KS # 88100110 MAHLE # 099WR05 & BF # 20040581200
A011D13130000N	AIR COOLED CYLINDER BLOCK (PLAIN BORE) DEUTZ FL-912 (DIA.-100.00MM)	DEUTZ	FL-912	02231924, 02231975, 04157763, 04157756 & 04158560	KS # 89005110 MAHLE # 099WR08 & BF # 20040591200
A011D13140024N	AIR COOLED CYLINDER BLOCK (PLAIN BORE) DEUTZ FL-913 (DIA.-102.00MM) COLLAR DIA.-124.50MM	DEUTZ	FL-913	OEM # 04231519	KS # 89496110 MAHLE # 099WR27 & BF # 20040591305
AE13274	AIR COOLED CYLINDER BLOCK (PLAIN BORE) DEUTZ FL-913 (DIA.-102.00MM) COLLAR DIA.-125.50MM (NO. OF FINS 23) TL-209.60MM	DEUTZ	FL-913	SJ351486/X	GOETZ # 1490013000

Item Code	Description	Engine	Model	O.E.M. No	Reference No
A011D13170000N	AIR COOLED CYLINDER BLOCK (PLAIN BORE) DEUTZ MAGIRUS-210 (DIA.-95.00MM)	DEUTZ	MAGIRUS-210		
C411D13290000N	CYLINDER LINER (PLAIN BORE) DEUTZ FL-1013 (DIA.-108.00MM) 108.00 X 118.00 X 228.90 X 128.39 X 9.00 UNIFORM FINE SERATION & BODY DIA PHOSPHATE COATING	DEUTZ	FL-1013	04200255, 04203065, 04253771	CENTRIFUGAL # UCO6115, MAHLE # 101WN1600
C411D13200000N	CYLINDER LINER (PLAIN BORE) DEUTZ MAH-611/HD-6 (DIA.-80.00MM)	DEUTZ	MAH-611/HD-6		
C411D13210017N	CYLINDER LINER (PLAIN BORE) DEUTZ MAH-714/HD-9 (DIA.-100.00MM) BRIGHT BODY	DEUTZ	MAH-714/HD-9		
C411D13220017N	CYLINDER LINER (PLAIN BORE) DEUTZ MAH-716/HD-10 (DIA.-120.00MM) BRIGHT BODY	DEUTZ	MAH-716/HD-10		
SLVF00201	FULLY FINISH SLEEVE 91.00 X 94.00 X 180.50 X 99.00 X 4.55 (DEUTZ FL-1011)	DEUTZ	FL-1011		
SLVS03365	SEMI-FINISH SLEEVE 91.00 X 94.00 X 180.50 X 99.50 X 4.55 (DEUTZ FL-1011)	DEUTZ	FL-1011		
C411D15010000N	CYLINDER LINER (PLAIN BORE) DONGFENG 1105/2105 (12/24HP) DIA.-105.00MM	DONGFENG	1105/2105 (12/24HP)		
C411D15020000N	CYLINDER LINER (PLAIN BORE) DONGFENG 195/CMC-195 (DIA.-95.00MM)	DONGFENG	195		
C411D15030000N	CYLINDER LINER (PLAIN BORE) DONGFENG 3110/4110 (DIA.-110.00MM)	DONGFENG	3110/4110		
C411D15040000N	CYLINDER LINER (PLAIN BORE) DONGFENG D-12 / 3T(G) (DIA.-95.00MM)	DONGFENG	D-12, 3T		
C411D15050000N	CYLINDER LINER (PLAIN BORE) DONGFENG D-180 (DIA.-80.00MM)	DONGFENG	D-180		

Item Code	Description	Engine	Model	O.E.M. No	Reference No
C411D15060000N	CYLINDER LINER (PLAIN BORE) DONGFENG D-185 (DIA.- 85.00MM)	DONGFENG	D-185		
C411D15230000Y	CYLINDER LINER (PLAIN BORE) DONGFENG EM-185 (DIA.- 85.00MM)	DONGFENG	EM-185		
C411D15240000Y	CYLINDER LINER (PLAIN BORE) DONGFENG OR CHAI HAI EM- 190 (DIA.-90.00MM)	DONGFENG	EM-190		
C411D15090000N	CYLINDER LINER (PLAIN BORE) DONGFENG R-175 (DIA.- 75.00MM)	DONGFENG	R-175		
C411D15100000N	CYLINDER LINER (PLAIN BORE) DONGFENG R-175A (DIA.- 75.00MM)	DONGFENG	R-175A		
C411D15110000N	CYLINDER LINER (PLAIN BORE) DONGFENG R-180 (DIA.- 80.00MM)	DONGFENG	R-180		
C411D15120000N	CYLINDER LINER (PLAIN BORE) DONGFENG R-185 (DIA.- 85.00MM)	DONGFENG	R-185		
C411D15130000N	CYLINDER LINER (PLAIN BORE) DONGFENG R-195/S-195 (DIA.- 95.00MM)	DONGFENG	R-195		
C411D15140000N	CYLINDER LINER (PLAIN BORE) DONGFENG S-1100 (2RR) DIA.- 100.00MM	DONGFENG	S-1100 (2RR)		
AECO-NP-08194	CYLINDER LINER(PLAIN BORE)DONGFENG S-1100(DIA.- 100.00MM)100.00 X 114.00 X 204.00 X 120.85 X 8.00 X 106.00 X 1.00	DONGFENG	S-1100		
A011E01010000N	AIR COOLED CYLINDER BLOCK (PLAIN BORE) EICHER 298 EDL (DIA.-100.00MM)	EICHER	298 EDL		PART # 1717388
C411E02010017N	CYLINDER LINER (PLAIN BORE) EKM IH-65 (DIA.-85.00MM) BRIGHT BODY	EKM	IH-65		

Item Code	Description	Engine	Model	O.E.M. No	Reference No
C411F03130013Y	CYLINDER LINER (PLAIN BORE) FIAT - 190 DIESEL (DIA.- 145.00MM)	FIAT	190 DIESEL		MAHLE #=007- WN-27; KS #=89-007-110 & VANDERWELL #=2253 WL/S
C411F04090000N	CYLINDER LINER (PLAIN BORE) FIAT 682 (A/C) COMPRESSOR (DIA.-73.00MM)	FIAT	682 (AIR COMPRESSO R)		
C411F04190000N	CYLINDER LINER (PLAIN BORE) FIAT 8361.45 (DIA.-115.00MM)	FIAT	8361.45	OEM # 233WN09, 4750806, 4850230, 4850231, 8822141, 4750806 & 4850230	KS # 89024110, CENTRIFUGAL # UCO934 & FADECYA # UCO0934
C411F03210000N	CYLINDER LINER (PLAIN BORE) FIAT CO 2 (4 CYL) DIESEL (DIA.- 108.00MM)	FIAT	CO 2		
C411F03220029N	CYLINDER LINER (PLAIN BORE) FIAT OM 55 (DIA.-110.00MM) FULLY BLACK FINISHED EXCEPT BORE DIA. & BOTTOM DIA.	FIAT	OM 55		
AECO-NP-06942	CYLINDER LINER(PLAIN BORE)FIAT 8460.41.101/8460.21B.613/846 0.21B.615(DIA.- 120.00MM)120.00 X 134. 00 X 249.25 X 144.80 X 10.00 X ??? X 1.00	FIAT	8460.41.101/ 8460.21B.61 3/8460.21B.6 15		MAHLE # 007WN45
SLVF00010	FULLY FINISH SLEEVE 103.00 X 107.05 X 187.50 (FIAT 8031.04/8035.04/8040.04)	FIAT	8031.04, 8035.04, 8040.04	OEM # 4679201	AE # 2121750202C MAHLE # 007WV40 & KS # 89080190

Item Code	Description	Engine	Model	O.E.M. No	Reference No
SLVF00090	FULLY FINISH SLEEVE 104.00 X 107.00 X 198.00 (FIAT 8035.05,8065.05)	FIAT	8210.02/8215.02		MAHLE # 007WV48 & KS # 89326190
SLVF00089	FULLY FINISH SLEEVE 137.00 X 143.03 X 282.00 X 147.00 X 6.00 (FULLY BLACK FINISH)FIAT 8210.02/8215.02	FIAT	8210.02/8215.02		MAHLE # 007WT24 & KS # 88600110
SLVS00001	SEMI-FINISH SLEEVE 100.00 X 103.00 X 187.50 (FIAT 8025.02/8035.02/8045.02/8065.02)	FIAT	8025.02/8035.02/8045.02/8065.02		PERFECT CIRCLE # 60983580 & MAHLE # 007WV09
AECO-NP-06940	SEMI-FINISH SLEEVE 100.00 X 103.00 X 196.00 (FIAT 8035.06/8045.06/8065.06)	FIAT	8035.06/8045.06/8065.06		MAHLE # 007WV47
SLVS00083	SEMI-FINISH SLEEVE 103.00 X 107.00 X 187.50 (FIAT 8031.04/8035.04/8040.04)	FIAT	8031.04/8035.04/8040.04		KS # 89080190 & CENTRIFUGAL # AL4520
AECO-NP-06943	SEMI-FINISH SLEEVE 104.00 X 107.00 X 198.00 X 109.80 X 5.00 (FIAT 8040.45 TCA/8060.45.5000)	FIAT	8040.45 TCA/8060.45.5000		MAHLE # 007WV49
SLVS03052	SEMI-FINISH SLEEVE 104.00 X 107.05 X 198.00 X 109.87 X 5.00 (FIAT)	FIAT	-		AE # RSE51706
SLVS00105	SEMI-FINISH SLEEVE 104.00 X 107.10 X 198.00 (FIAT 8035.05/8065.05)	FIAT	8035.05/8065.05	OEM # 4770623	BEPCO # 25/36-271
SLVS01522	SEMI-FINISH SLEEVE 104.00 X 107.10 X 198.00 X 109.87 X 5.00 (FIAT 8040.25 (TURBO), ZETA)	FIAT	8040.25 (TURBO), ZETA		
SLVS02496	SEMI-FINISH SLEEVE 137.00 X 143.00 X 282.00 X 149.00 X 6.00 (FIAT 8210.22 S/8210.22.000/8215.22)	FIAT	8210.22		MAHLE # 007WT25
SLVS00612	SEMI-FINISH SLEEVE 76.00 X 79.00 X 135.50 (FIAT UNO FIRE)	FIAT	-		

Item Code	Description	Engine	Model	O.E.M. No	Reference No
SLVS00614	SEMI-FINISH SLEEVE 76.00 X 79.10 X 135.50 X 82.10 X 4.70 (FIAT UNO FIRE)	FIAT	-		
SLVS02789	SEMI-FINISH SLEEVE 76.00 X 79.20 X 137.00 X 81.00 X 5.00 (FIAT 1.3 DIESEL)	FIAT	1.3 DIESEL		
SLVS00791	SEMI-FINISH SLEEVE 82.60 X 86.00 X 144.00 X 89.00 X 4.50 (FIAT UNO FIRE)	FIAT	-		
SLVS00792	SEMI-FINISH SLEEVE 82.60 X 86.00 X 154.00 (FIAT UNO FIRE)	FIAT	UNO FIRE		
SLVS00793	SEMI-FINISH SLEEVE 82.60 X 86.00 X 154.00 X 89.00 X 4.55 (FIAT UNO FIRE)	FIAT	UNO FIRE		
SLVS01533	SEMI-FINISH SLEEVE 82.60 X 87.00 X 154.00 (FIAT REGATA)	FIAT	-		
SLVS00805	SEMI-FINISH SLEEVE 83.00 X 87.04 X 150.50 X 89.85 X 4.60 (FIAT REGATA DIESEL)	FIAT	SD22, SD33		
AECO-NP-06313	SEMI-FINISH SLEEVE 84.00 X 88.76 X 134.80 X 90.35 X 4.76 (FIAT AUTOS)	FIAT	AUTOS		FADECYA # A1198
AECO-NP-06314	SEMI-FINISH SLEEVE 86.00 X 90.76 X 120.00 X 92.35 X 4.76 (FIAT AUTOS)	FIAT	AUTOS		FADECYA # A0959
AECO-NP-06315	SEMI-FINISH SLEEVE 86.40 X 91.16 X 125.00 X 92.75 X 4.76 (FIAT AUTOS)	FIAT	AUTOS		CENTRIFUGAL # A1199
AECO-NP-06316	SEMI-FINISH SLEEVE 86.40 X 91.16 X 133.00 X 92.75 X 4.76 (FIAT AUTOS)	FIAT	AUTOS		CENTRIFUGAL # A1250
SLVS01249	SEMI-FINISH SLEEVE 93.00 X 96.00 X 167.30 (FIAT 132 DIESEL)	FIAT	132 DIESEL		
SLVS01250	SEMI-FINISH SLEEVE 93.00 X 96.00 X 167.30 X 98.90 X 5.00 (FIAT 132 DIESEL)	FIAT	132 DIESEL		MAHLE #=007- WV-43
AECO-NP-06941	SEMI-FINISH SLEEVE 94.40 X 97.53 X 167.00 X 100.88 X 5.00 (FIAT 8140 23.3700/8140 43.3700)	FIAT	8140 23.3700/8140 0 43.3700		MAHLE # 007WV56

Item Code	Description	Engine	Model	O.E.M. No	Reference No
SLVS01380	SEMI-FINISH SLEEVE 95.00 X 99.10 X 187.00 (FIAT 8035.01/8045.01)	FIAT	8035.01/8045.01	OEM # 4599351 & 4662636	AE # 21214802 & EMMARK # 7001
AECO-NP-06321	CYLINDER LINER (PLAIN BORE) FIAT IVECO (105.00 X 112.93 X 243.00 X 125.00 X 149.95)	FIAT IVECO			FADECYA # UCO0229
AECO-NP-06322	CYLINDER LINER (PLAIN BORE) FIAT IVECO (108.00 X 115.95 X 243.00 X 128.00 X 149.95)	FIAT IVECO			FADECYA # UCO0715
AECO-NP-06125	CYLINDER LINER (PLAIN BORE) FIAT IVECO (110.00 X 117.95 X 236.25 X 129.00 X 8.00)	FIAT IVECO			CENTRIFUGAL # UCO925 & FADECYA # UCO0925
AECO-NP-06126	CYLINDER LINER (PLAIN BORE) FIAT IVECO (112.72 X 126.20 X 275.80 X 133.38 X 8.04)	FIAT IVECO			CENTRIFUGAL # UCO4873
AECO-NP-06128	CYLINDER LINER (PLAIN BORE) FIAT IVECO (115.00 X 121.97 X 235.00 X 129.70 X 170.00)	FIAT IVECO			CENTRIFUGAL # UCO5001 & FADECYA # UCO1190
AECO-NP-06122	CYLINDER LINER (PLAIN BORE) FIAT IVECO (98.50 X 111.15 X 207.50 X 117.50 X 8.10)	FIAT IVECO			CENTRIFUGAL # UCO4872
AECO-NP-06319	CYLINDER LINER (PLAIN BORE) FIAT IVECO 35/40 R (100.00 X 107.94 X 236.00 X 119.88 X 149.95)	FIAT IVECO	35/40 R		FADECYA # UCO0228
AECO-NP-06318	CYLINDER LINER (PLAIN BORE) FIAT IVECO 450 (100.00 X 109.95 X 242.00 X 125.00 X 149.95 X 1.00)	FIAT IVECO	450		FADECYA # UCO0233
AECO-NP-06324	CYLINDER LINER (PLAIN BORE) FIAT IVECO 780R, R80 (125.00 X 132.00 X 304.80 X 152.00 X 215.03)	FIAT IVECO	780R, R80	586406	FADECYA # UCO0244
C411F04070000N	CYLINDER LINER (PLAIN BORE) FIAT IVECO CO3,CP3 (DIA.-110.00MM)	FIAT IVECO	CO3, CP3		AE # 58112302

Item Code	Description	Engine	Model	O.E.M. No	Reference No
AECO-NP-06323	CYLINDER LINER (PLAIN BORE) FIAT IVECO R55 (122.00 X 132.00 X 305.00 X 152.00 X 215.03)	FIAT IVECO	R55		FADECYA # UCO0230
SLVF00141	FULLY FINISH SLEEVE 103.00 X 107.10 X 187.00 (FIAT IVECO 8040.04/8060.04)	FIAT IVECO	8040.04/806 0.04		AE # 21217502
SLVF00202	FULLY FINISH SLEEVE 104.00 X 106.98 X 198.00 X 109.83 X 5.00 (FIAT IVECO 8040.25,8040.45)	FIAT IVECO	8040.25, 8040.45	OEM # 04803030 & 04807735	KS # 89317190 & MAHLE # 007WV49
AECO-NP-06129	FULLY FINISH SLEEVE 122.00 X 128.00 X 252.00 X 132.00 X 6.00 (FIAT IVECO)	FIAT IVECO	FIAT IVECO		CENTRIFUGAL & FADECYA # UCO966
AECO-NP-06325	FULLY FINISH SLEEVE 135.00 X 141.05 X 286.00 (FIAT IVECO)	FIAT IVECO			FADECYA # UCO0848
SLVF00183	FULLY FINISH SLEEVE 137.00 X 143.02 X 282.00 X 149.00 X 6.00 (FIAT OR IVECO)	FIAT IVECO	400		KS # 89591110
SLVF00186	FULLY FINISH SLEEVE 137.00 X 143.07 X 282.00 X 149.00 X 6.00 (FIAT IVECO)	FIAT IVECO	JD (K3500)SH (K3600)		KS # 89591111
SLVF00192	FULLY FINISH SLEEVE 93.00 X 97.50 X 167.00 X 100.90 X 5.00 (FIAT IVECO 30.10/35.10/49.10/59.12 DAILY,8140.23,8140.43,8140.67)	FIAT IVECO	8140.23		NURAL & GOETZE # 1402893000
SLVF00191	FULLY FINISH SLEEVE 95.00 X 99.00 X 187.50 (FIAT IVECO 8020.01,8025.01,8030.01,8035. 01,8040.01, 8045.01,8060.01,8065.01 OR RUMANIA UTB-350,UTB-460)	FIAT IVECO	8020.01, 8025.01, 8045.01, 8060.01		KS # 88593190
AECO-NP-06121	SEMI-FINISH SLEEVE 100.00 X 103.00 X 187.50 X 104.60 X 4.80 (FIAT IVECO)	FIAT IVECO			CENTRIFUGAL # A4519 & FADECYA # UP2086

Item Code	Description	Engine	Model	O.E.M. No	Reference No
SLVS02708	SEMI-FINISH SLEEVE 100.00 X 103.06 X 187.00 (FIAT IVECO 8060.12)	FIAT IVECO	8060.12	OEM # 4653280	AE # 21215702 BEPCO # 23/36-252 & FADECYA # UC2086
AECO-NP-06123	SEMI-FINISH SLEEVE 103.00 X 107.00 X 187.50 X 108.60 X 4.80 (FIAT IVECO)	FIAT IVECO		4679203	CENTRIFUGAL # A4520 & FADECYA # UP2087
AECO-NP-06130	SEMI-FINISH SLEEVE 122.00 X 128.05 X 252.00 X 132.00 X 6.10 (FIAT IVECO)	FIAT IVECO			CENTRIFUGAL # UC966
SLVS00304	SEMI-FINISH SLEEVE 130.00 X 136.10 X 282.00 (FIAT IVECO 682/690)	FIAT IVECO	682/690		GOETZE # 1401800200
SLVS02497	SEMI-FINISH SLEEVE 137.00 X 143.05 X 282.00 X 147.00 X 6.00 (FIAT IVECO)	FIAT IVECO	8210.22 S/8210.22.00 0/8215.22		CENTRIFUGAL # UC930
SLVS04433	SEMI-FINISH SLEEVE 70.00 X 73.00 X 114.00 X 74.60 X 4.90 (FIAT IVECO M156, M204)	FIAT IVECO	M156, M204		CENTRIFUGAL # A6113
AECO-NP-06109	SEMI-FINISH SLEEVE 76.00 X 79.00 X 139.00 X 80.60 X 4.80 (FIAT IVECO)	FIAT IVECO	FIAT IVECO		CENTRIFUGAL # A4514
AECO-NP-06107	SEMI-FINISH SLEEVE 76.00 X 80.00 X 120.00 X 81.60 X 4.80 (FIAT IVECO OR LADA)	FIAT IVECO			CENTRIFUGAL # A1147
AECO-NP-06106	SEMI-FINISH SLEEVE 76.00 X 80.00 X 136.00 X 81.60 X 4.80 (FIAT IVECO)	FIAT IVECO			CENTRIFUGAL # A1146
AECO-NP-06108	SEMI-FINISH SLEEVE 76.00 X 80.00 X 144.00 X 81.60 X 4.80 (FIAT IVECO OR LADA)	FIAT IVECO			CENTRIFUGAL # A1149
AECO-NP-06110	SEMI-FINISH SLEEVE 80.50 X 85.25 X 125.00 X 86.84 X 4.90 (FIAT IVECO)	FIAT IVECO	FIAT IVECO		CENTRIFUGAL # A6268
AECO-NP-06111	SEMI-FINISH SLEEVE 82.00 X 85.00 X 136.50 X 86.60 X 4.10 (FIAT IVECO)	FIAT IVECO	FIAT IVECO		CENTRIFUGAL # A1151
AECO-NP-06112	SEMI-FINISH SLEEVE 82.60 X 87.35 X 154.00 X 88.92 X 4.90 (FIAT IVECO)	FIAT IVECO	FIAT IVECO		CENTRIFUGAL # A6266

Item Code	Description	Engine	Model	O.E.M. No	Reference No
AECO-NP-06113	SEMI-FINISH SLEEVE 82.60 X 87.36 X 143.00 X 89.00 X 4.90 (FIAT IVECO)	FIAT IVECO			CENTRIFUGAL # A1787
AECO-NP-06114	SEMI-FINISH SLEEVE 84.00 X 87.50 X 150.00 X 89.10 X 4.90 (FIAT IVECO)	FIAT IVECO			CENTRIFUGAL # A4542
AECO-NP-06115	SEMI-FINISH SLEEVE 85.00 X 90.00 X 178.00 X 91.00 X 6.00 (FIAT IVECO)	FIAT IVECO	FIAT IVECO		CENTRIFUGAL # A4662
AECO-NP-06317	SEMI-FINISH SLEEVE 85.00 X 90.00 X 178.00 X 91.45 X 4.76 (FIAT IVECO)	FIAT IVECO			CENTRIFUGAL # UC0250
AECO-NP-06116	SEMI-FINISH SLEEVE 86.40 X 90.40 X 127.00 X 92.00 X 4.80 (FIAT IVECO; LANCIA)	FIAT IVECO			CENTRIFUGAL # A1148
SLVS01851	SEMI-FINISH SLEEVE 92.00 X 96.09 X 170.00 X 89.90 X 5.00(FIAT IVECO)	FIAT IVECO	-		
SLVS01251	SEMI-FINISH SLEEVE 93 X 96.09 X 171 X 98.95 X 5(FIAT IVECO 8140.21,DAILY TURBO A40- 10/40.10)	FIAT IVECO	8140.21		
AECO-NP-06117	SEMI-FINISH SLEEVE 93.00 X 96.00 X 170.50 X 98.90 X 4.80 (FIAT IVECO)	FIAT IVECO	FIAT IVECO		CENTRIFUGAL # A4517 & FADECYA # UC1901
SLVS01713	SEMI-FINISH SLEEVE 93.00 X 96.01 X 171.00 X 98.95 X 5.00 (FIAT IVECO)	FIAT IVECO	-		GOETZE # 1402137100 AE # RSE51701 & 21233502
AECO-NP-06118	SEMI-FINISH SLEEVE 93.00 X 96.05 X 167.30 (FIAT IVECO)	FIAT IVECO			CENTRIFUGAL # UC4954
AECO-NP-06119	SEMI-FINISH SLEEVE 93.00 X 97.52 X 167.00 X 100.94 X 5.10 (FIAT IVECO)	FIAT IVECO			CENTRIFUGAL # A4996 & FADECYA # UC2137
SLVS02031	SEMI-FINISH SLEEVE 94.00 X 97.46 X 168.40 X 100.95 X 5.05 (FIAT IVECO 4J)	FIAT IVECO	4J	OEM # 04209000	

Item Code	Description	Engine	Model	O.E.M. No	Reference No
SLVS04242	SEMI-FINISH SLEEVE 94.40 X 97.47 X 167.00 X 100.90 X 5.00(FIAT IVECO 30.10,35.10,35.12 ,40.10,45.10,49.10,49.12,59.12, DAILY 2.8 TD)	FIAT IVECO	30.10,45.10,59.12,DAILY 2.8 TD	99435938	AE # SU351380
SLVS01529	SEMI-FINISH SLEEVE 94.40 X 97.50 X 167.00 X 100.90 X 5.10 (FIAT IVECO-DUCATO)	FIAT IVECO	DUCATO	OEM # 99435938	KS # 89502190 CENTRIFUGAL # A4953 & FADECYA # UC1740
SLVS04434	SEMI-FINISH SLEEVE 95.00 X 99.00 X 187.50 X 100.60 X 4.80 (FIAT IVECO)	FIAT IVECO			CENTRIFUGAL # A4518
AECO-NP-07579	CYLINDER LINER (PLAIN BORE) FORD ESCORT OR CORCEL (DIA.-77.00MM)	FORD		*	
C411F07010000N	CYLINDER LINER (PLAIN BORE) FORDSON MAJOR 1RR (OLD MODEL) DIA.-100.00MM	FORD	MAJOR 1RR	OEM # E1ADDN6055 B & 81710301	AE # SJ196803 BEPCO # 24/35-25 CENTRIFUGAL # UCO246 & FADECYA # UCO0246
C411F07020000N	CYLINDER LINER (PLAIN BORE) FORDSON MAJOR 2RR (NEW MODEL) DIA.-100.00MM	FORD	MAJOR 2RR	OEM # E1ADDN6055 E & 81710303	BEPCO # 24/35-27 CENTRIFUGAL # UCO777 & FADECYA # UCO0777
AECO-NP-06336	FULLY FINISH SLEEVE 111.76 X 114.45 X 208.30 X 120.38 X 2.54 (FORD 5600, 5610)	FORD	5600, 5610		FADECYA # UCO0979
SLVS03056	SEMI-FINISH SLEEVE 104.77 X 108.75 X 218.70 (FORD 4D240)	FORD	4D240		AE # RSE40739
SLVS00123	SEMI-FINISH SLEEVE 104.775 X 108.864 X 219.590 (FORD K250)	FORD	K250		
SLVS00125	SEMI-FINISH SLEEVE 104.775 X 109.372 X 219.590 X 112.827 X 4.760 X 109.00 X 0.635 (FORD 2704ET,360DT,K250)	FORD	2704ET, 360DT		MAHLE # 014WV07

Item Code	Description	Engine	Model	O.E.M. No	Reference No
AECO-NP-06143	SEMI-FINISH SLEEVE 104.78 X 108.87 X 219.00 X 110.40 X 4.80 (FORD)	FORD	FORD		CENTRIFUGAL # A976
AECO-NP-06335	SEMI-FINISH SLEEVE 104.78 X 108.88 X 218.50 (FORD)	FORD			FADECYA # UC1388
AECO-NP-06144	SEMI-FINISH SLEEVE 106.68 X 110.73 X 209.60 (FORD)	FORD			CENTRIFUGAL # UC1008
SLVS00152	SEMI-FINISH SLEEVE 106.698 X 110.782 X 209.550 (FORD 2000,3000,3600,4100,5000,5600,5700,K300)	FORD	2000, 3000, 3600, 4100, 5000, 5600, 5700, K300	OEM # C5NN6055A & 81815327	AE # SU522801 SPAREX # S.65828 FADECYA # UC1389 & BEPCO # 24/36-30
SLVS00161	SEMI-FINISH SLEEVE 107.21 X 110.78 X 213.00 (FORD K300)	FORD	K300		
AECO-NP-06145	SEMI-FINISH SLEEVE 107.21 X 111.30 X 212.73 (FORD)	FORD	FORD		CENTRIFUGAL # AL4663 & FADECYA # UC1039
AECO-NP-06148	SEMI-FINISH SLEEVE 111.76 X 114.43 X 200.00 (FORD)	FORD			CENTRIFUGAL # UC4578
AECO-NP-06146	SEMI-FINISH SLEEVE 111.76 X 114.45 X 221.00 X 120.37 X 2.54 (FORD)	FORD	FORD		CENTRIFUGAL # UC979FM
AECO-NP-06150	SEMI-FINISH SLEEVE 111.76 X 114.50 X 230.00 X 121.50 X 5.00 (FORD)	FORD			CENTRIFUGAL # A4577
AECO-NP-06147	SEMI-FINISH SLEEVE 111.76 X 118.75 X 208.30 X 121.00 X 5.00 (FORD)	FORD			CENTRIFUGAL # A979 & FADECYA # AE3014
AECO-NP-06151	SEMI-FINISH SLEEVE 111.76 X 118.75 X 221.00 (FORD)	FORD			CENTRIFUGAL # AL4577
SLVS02625	SEMI-FINISH SLEEVE 111.778 X 114.400 X 205.600 (FORD 5640,6640,7840,8240,8340,8640,8770,8870,8970 OR NEW HOLLAND) STD	FORD	5640, 6640,7840,8640,8970	OEM # 83998292 & F0NN6055AA (STD)	AE # SU351369 & BEPCO # 24/36-32

Item Code	Description	Engine	Model	O.E.M. No	Reference No
SLVS00210	SEMI-FINISH SLEEVE 111.778 X 114.442 X 208.534 X 120.345 X 2.565 (STD) FORD 4000,5000,6600,6610,7000,760 0,7700,8000,9000,9600	FORD	5000	OEM # D7NN6055A & 83912946	BEPCO # 24/36-31 GOETZE # 1402074000 AE # SU351030 RSE40740 & PART # EM116
AECO-NP-06131	SEMI-FINISH SLEEVE 68.68 X 72.10 X 128.00 X 74.00 X 3.90 (FORD)	FORD			CENTRIFUGAL # A4608 & FADECYA # AE1849
AECO-NP-06133	SEMI-FINISH SLEEVE 73.94 X 78.00 X 148.30 X 79.60 X 5.10 (FORD)	FORD			CENTRIFUGAL # A4949
AECO-NP-06326	SEMI-FINISH SLEEVE 73.94 X 78.70 X 148.30 X 80.29 X 4.76 (FORD)	FORD			FADECYA # A1047
AECO-NP-06327	SEMI-FINISH SLEEVE 80.60 X 85.36 X 145.00 X 86.95 X 4.76 (FORD)	FORD			FADECYA # A1905
AECO-NP-06328	SEMI-FINISH SLEEVE 81.30 X 86.06 X 135.00 X 87.65 X 4.76 (FORD)	FORD			FADECYA # A1736
AECO-NP-06329	SEMI-FINISH SLEEVE 88.90 X 93.66 X 131.80 X 95.25 X 4.76 (FORD)	FORD			FADECYA # A0672
AECO-NP-06330	SEMI-FINISH SLEEVE 89.30 X 94.06 X 137.00 X 95.65 X 4.76 (FORD)	FORD			FADECYA # A0973
AECO-NP-06331	SEMI-FINISH SLEEVE 90.42 X 95.18 X 132.00 X 96.77 X 4.76 (FORD)	FORD			FADECYA # A0092
AECO-NP-06139	SEMI-FINISH SLEEVE 92.08 X 96.80 X 153.00 X 98.40 X 4.80 (FORD)	FORD	FORD		CENTRIFUGAL # A653
AECO-NP-06140	SEMI-FINISH SLEEVE 93.47 X 98.23 X 139.00 X 99.76 X 4.90 (FORD)	FORD			CENTRIFUGAL # A6267

Item Code	Description	Engine	Model	O.E.M. No	Reference No
SLVS01283	SEMI-FINISH SLEEVE 93.647 X 96.94 X 171.45 (FORD 2401E,TRANSIT FT SERIES)	FORD	2401E		AE # SU351076 KS # 89032190 & MAHLE # 014WV04
AECO-NP-06332	SEMI-FINISH SLEEVE 93.67 X 96.94 X 171.50 X 98.53 X 4.76 (FORD)	FORD			FADECYA # UP1903
AECO-NP-06141	SEMI-FINISH SLEEVE 95.25 X 100.00 X 154.00 X 101.60 X 4.80 (FORD)	FORD	FORD		CENTRIFUGAL # A206 & FADECYA # A0206
AECO-NP-06333	SEMI-FINISH SLEEVE 95.25 X 100.01 X 158.00 X 101.60 X 4.80 (FORD)	FORD			FADECYA # A0064
AECO-NP-06142	SEMI-FINISH SLEEVE 96.00 X 100.00 X 137.00 X 101.60 X 4.80 (FORD)	FORD	FORD		CENTRIFUGAL # A1069
AECO-NP-06334	SEMI-FINISH SLEEVE 96.00 X 100.76 X 137.00 X 102.35 X 4.76 (FORD)	FORD			FADECYA # A0974
C411F09000000N	CYLINDER LINER (PLAIN BORE) FORTSCHRITT TRACTOR (DIA.-120.00MM)	FORTSCHRITT TRACTOR	-		
SLVS03748	SEMI-FINISH SLEEVE 107.950 X 112.776 X 298.069 (GARDNER L2,2LW,2HLW,5LW,6LW,8LW)	GARDNER	L2, 2LW, 2HLW, 5LW, 6LW, 8LW		AE # SU101
SLVS00264	SEMI-FINISH SLEEVE 120.65 X 125.47 X 298.00 (GARDNER LX/LXB/LXC (6 & 8 CYL)	GARDNER	LX/LXB/LXC		AE # SU498801
AECO-NP-06337	SEMI-FINISH SLEEVE 120.65 X 125.53 X 298.20 (GARDNER LX/LXB/LXC (6 & 8 CYL)	GARDNER	LX/LXB/LXC		FADECYA # UC1386
AECO-NP-06163	SEMI-FINISH SLEEVE 101.60 X 105.40 X 152.40 X 107.00 X 4.80 (GMC 262 V-8 4.9L)	GMC	262		CENTRIFUGAL # A1508 & FADECYA # AE1508
AECO-NP-06339	SEMI-FINISH SLEEVE 71.08 X 75.84 X 133.00 X 77.43 X 4.76 (GMC)	GMC	GMC		FADECYA # A2079
AECO-NP-06342	SEMI-FINISH SLEEVE 81.98 X 85.00 X 136.50 X 86.60 X 4.80 (GM 1.6L)	GMC	1.6L		FADECYA # AE3019

Item Code	Description	Engine	Model	O.E.M. No	Reference No
AECO-NP-06158	SEMI-FINISH SLEEVE 82.50 X 85.50 X 143.50 X 87.45 X 4.50 (GM 17D, X17DR/DTL)	GMC	17D, X17DR		CENTRIFUGAL # A4727
AECO-NP-06160	SEMI-FINISH SLEEVE 84.78 X 89.00 X 142.50 X 90.60 X 4.80 (GM 18N/NH, 1.8L)	GMC	18N/NH		CENTRIFUGAL # A1510
AECO-NP-06159	SEMI-FINISH SLEEVE 84.78 X 89.00 X 148.00 X 90.60 X 4.80 (GM 18E/NV/NRV; OPEL)	GMC	18E/NV/NRV		CENTRIFUGAL # A1512 & FADECYA # AE1951
AECO-NP-06343	SEMI-FINISH SLEEVE 85.95 X 90.76 X 142.50 X 92.35 X 4.76 (GMC 2.0L)	GMC	2.0L		FADECYA # A1741
AECO-NP-06072	SEMI-FINISH SLEEVE 95.25 X 100.00 X 185.00 X 101.60 X 4.80 (GMC 215 V-6, 3.5L)	GMC	215		CENTRIFUGAL # A65 & FADECYA # A0065
AECO-NP-06162	SEMI-FINISH SLEEVE 98.43 X 103.20 X 151.50 X 104.80 X 4.80 (GMC 283 V-8 4.6L)	GMC	283		CENTRIFUGAL # A55 & FADECYA # A0055
A011H02020000N	AIR COOLED CYLINDER BLOCK (PLAIN BORE) HATZ E-75 (DIA.-75.00)	HATZ	E-75		
A011H02030000N	AIR COOLED CYLINDER BLOCK (PLAIN BORE) HATZ E-780 (DIA.-82.00MM)	HATZ	E-780		
A011H02050000N	AIR COOLED CYLINDER BLOCK (PLAIN BORE) HATZ E-85 (DIA.-85.00MM)	HATZ	E-85		
A011H02060000N	AIR COOLED CYLINDER BLOCK (PLAIN BORE) HATZ E-89 (DIA.-90.00MM)	HATZ	E-89	OEM # 03040301	
AECO-NP-06038	CYLINDER LINER(PLAIN BORE)AGRALE/HATZ M95 W(DIA.-95.00MM)95.00 X 107.00 X 185.50 X 112.50 X 8.00	HATZ	M95 W		CENTRIFUGAL # UCO4947 (STD)
SLVS04419	SEMI-FINISH SLEEVE 67.00 X 72.00 X 128.00 X 74.00 X 4.00 (AGRALE/HATZ)	HATZ	-		CENTRIFUGAL # A6147 (STD)

Item Code	Description	Engine	Model	O.E.M. No	Reference No
SLVS04418	SEMI-FINISH SLEEVE 67.00 X 74.00 X 128.00 X 76.00 X 4.00 (AGRALE/HATZ)	HATZ	-		CENTRIFUGAL # A6146 (STD)
C411H11010000Y	CYLINDER LINER (PLAIN BORE) HELWAN - DIESEL 112 (DIA.-112.00MM)	HELWAN	DIESEL 112		
SLVF00107	FULLY FINISH SLEEVE 115.89 X 120.65 X 245.00 X 127.00 X 4.76(HERCULES MOTOR)	HERCULES MOTOR			
C411H07040000N	CYLINDER LINER (PLAIN BORE) HINO EF300,EF350 (DIA.-132.00MM)	HINO	EF300, EF350	OEM # 114671071	DIA # HNCL13201F
C411H07170000N	CYLINDER LINER (PLAIN BORE) HINO EF550 (DIA.-135.00MM)	HINO	EF550	OEM # 114671690	DIA # HNCL13503F HNCL13503F-DC & ARCO # CLHI813501F
C411H07050000N	CYLINDER LINER (PLAIN BORE) HINO EF700,EF750,F17D (DIA.-137.00MM)	HINO	EF700, EF750, F17D	114671091, 114671900 & XIF35131013	DIA # HNCL13702F HNCL13702F-DC & ARCO # CLHI813701F
C411H07090000N	CYLINDER LINER (PLAIN BORE) HINO EK100,EK200,K13D (DIA.-137.00MM)	HINO	EK100, EK200, K13D	114671910, 114671080, 114671920 & 114671960	AE # SJ351251 & DIA # HNCL13701F HNCL13701F-DC & ARCO # CLHI613701F
C411H07100016N	CYLINDER LINER (PLAIN BORE) HINO F17C,F17E (DIA.-139.00MM) BODY DULL CHROME PLATED	HINO	F17C, F17E	OEM # 114671702	DIA # HNCL13702F HNCL13702F-DC & ARCO # CLHI813901F
C411H07140015N	CYLINDER LINER (PLAIN BORE) HINO V22C (DIA.-139.00MM) BODY CHROME PLATED	HINO	V22C	OEM # 114672130	DIA # HNCL13902F & HNCL13902F-DC
AECO-NP-06463	CYLINDER LINER(PLAIN BORE)HINO DM100 KM(90.00 X 104.50 X 198.50 X 110.00 X 9.00 X 104.50 X 1.00)	HINO	DM100 KM	114671401, 114671440 & 2352169501	ARCO # CLHI609001F

Item Code	Description	Engine	Model	O.E.M. No	Reference No
AECO-NP-06470	CYLINDER LINER(PLAIN BORE)HINO EB300(120.00 X 136.00 X 288.00 X 143.00 X 11.00 X 136.00 X 1.00)	HINO	EB300	114671180, 114671520 & 2334196300	ARCO # CLHI612001F
AECO-NP-06464	CYLINDER LINER(PLAIN BORE)HINO EC100 KL(97.00x110.50x206.00x117.00 x10.00x110.50x1.00)	HINO	EC100 KL	114671130, 114671130A, 114671491, 2353801910 & 2353801930	ARCO # CLHI609701F
AECO-NP-06475	CYLINDER LINER(PLAIN BORE)HINO EF500(135.00 X 153.00 X 248.00 X 165.00 X 13.60 X 153.00 X 0.80)	HINO	EF500	114671101 & 114671120	ARCO # CLHI813502F
AE12796	CYLINDER LINER(PLAIN BORE)HINO EL100(116.00 X 129.00 X 222.80 X 138.00 X 9.00 X 129.00 X 0.75)	HINO	EL100	114671240, 114671270 & 114671640	ARCO # CLHI611601F
AECO-NP-06474	CYLINDER LINER(PLAIN BORE)HINO K13C(135.00 X 153.00 X 267.00 X 164.00 X 12.10 X 153.00 X 0.80)	HINO	K13C	114612090 & 114612380	ARCO # CLHI613501F
SLVF00290	FULLY FINISH SLEEVE 104.00 X 107.00 X 200.00 X 112.00 X 8.00 (HINO W04D,W06D,W06E,W04C)	HINO	W04D,W06D, W06E,W04C)	114671772 & 1146178031	YENMAK # 5135236000, NPR # L16188DGA(L1 6188CMA) SPL
SLVF00011	FULLY FINISH SLEEVE 104.00 X 107.00 X 201.00 X 112.00 X 8.00 X 107.00 X 0.80(HINO W04D/E,W06D/E)	HINO	W04D/E, W06D/E	114671761, 114671771, 114671781 & 114671791	DIA # HNCS10401F-PF
SLVF00126	FULLY FINISH SLEEVE 104.000 X 107.002 X 201.000 X 112.000 X 8.000 X 107.000 X 0.900 (HINO W06D)	HINO	W06D	114671761, 114671771, 114671781 & 114671791	ARCO # CLHI610401F
AECO-NP-06465	FULLY FINISH SLEEVE 105.00 X 110.00 X 204.00 X 115.00 X 8.00 X 110.00 X 0.50 (HINO EH100 KR)	HINO	EH100 KR	114671030 & 114671040	ARCO # CLHI610501F

Item Code	Description	Engine	Model	O.E.M. No	Reference No
SLVF00166	FULLY FINISH SLEEVE 105.00 X 110.00 X 206.00 X 115.00 X 8.00 X 110.00 X 0.80 (HINO EH100)	HINO	EH100	OEM # 114671040	DIA # HNCS10501F
AECO-NP-06466	FULLY FINISH SLEEVE 105.80 X 110.00 X 204.00 X 118.00 X 8.00 X 110.00 X 0.70 (HINO H06BT)	HINO	H06BT	114671921, 114671931, 114671941 & 114671951	ARCO # CLHI610581F
AECO-NP-06467	FULLY FINISH SLEEVE 108.00 X 112.00 X 204.00 X 118.00 X 8.00 X 112.00 X 0.60 (HINO EH300)	HINO	EH300	114671010 & 114671020	ARCO # CLHI610801F
AECO-NP-06468	FULLY FINISH SLEEVE 108.00x113.00x204.00x118.00x 8.00x113.00x1.00(HINO H06C/T,H06C TA)	HINO	H06C/T, H06C TA	114671591, 114671601, 114671611 & 114671621	ARCO # CLHI610802F
SLVF00127	FULLY FINISH SLEEVE 110.00 X 113.00 X 204.00 X 117.95 X 8.00 X 113.00 X 0.80 (HINO W07)	HINO	W07		
SLVF00143	FULLY FINISH SLEEVE 110.00 X 113.00 X 204.00 X 117.95 X 8.00 X 113.00 X 0.80(MMW)HINO EH700,H07C, H07D(FULLY BLACK FINISH)	HINO	EH700, H07C, H07D	114671200, 114671210, 114671220 & 114671230	ARCO # CLHI611001F & DIA # HNCS11001F- PF
SLVF00291	FULLY FINISH SLEEVE 112.00 X 117.00 X 203.00 X 122.00 X 8.00 (HINO J08E)	HINO	J08E	114673210	NPR # L16576- ZB
SLVF00179	FULLY FINISH SLEEVE 114.00 X 117.00 X 204.00 X 122.00 X 8.00 X 117.00 X 0.80 (HINO J07C,J08C)	HINO	J07C, J08C	1146178060, 1146178070, 1146178080, 114672601, 114672611, 114672612, 114612780, 114672790 &114672780 0	ARCO # CLHI611401F

Item Code	Description	Engine	Model	O.E.M. No	Reference No
AECO-NP-06471	FULLY FINISH SLEEVE 120.00 X 125.00 X 236.00 X 132.00 X 8.00 X 125.00 X 1.00 (HINO EP100T)	HINO	EP100T	114671730, 114671740 & 114671750	ARCO # CLHI612002F
AECO-NP-06472	FULLY FINISH SLEEVE 124.00 X 129.10 X 236.00 X 134.00 X 8.00 X 129.10 X 1.20 (HINO EM100)	HINO	EM100	114671661 & 114671671	ARCO # CLHI612401F
SLVF00047	FULLY FINISH SLEEVE 124.02 X 129.06 X 236.00 X 133.80 X 8.05 X 127.00 X 0.80 (HINO EM100,H20) FULLY BLACK FINISH	HINO	EM100, H20		
SLVF00286	FULLY FINISH SLEEVE 127.00 X 130.30 X 236.00 X 135.20 X 8.00 X 130.30 X 0.90 (HINO M10C, M10U) FULLY BLACK FINISH	HINO	M10C, M10U	114672000, 114672010, 114672020 & 114672030	ARCO # CLHI612701F
SLVF00083	FULLY FINISH SLEEVE 146.00 X 152.00 X 244.00 X 159.00 X 8.05 X 151.00 X 0.85 (HINO F20C) FULLY BLACK FINISH	HINO	F20C		
SLVF00094	FULLY FINISH SLEEVE 146.00 X 154.00 X 244.00 X 159.00 X 8.05 X 151.00 X 0.85 (HINO F20C) FULLY BLACK FINISH	HINO	F20C		
SLVF00100	FULLY FINISH SLEEVE 146.00 X 154.00 X 244.00 X 161.00 X 8.05 X 153.50 X 0.85 (MLC) HINO F20E (FULLY BLACK FINISH)	HINO	F20E		
SLVF00101	FULLY FINISH SLEEVE 150.00 X 154.00 X 244.00 X 161.00 X 8.05 X 153.50 X 0.85 (MLC) HINO F21C (V26C) FULLY BLACK FINISH	HINO	F21C		
SLVF00092	FULLY FINISH SLEEVE 150.00 X 154.00 X 244.00 X 161.00 X 8.60 X 152.75 X 0.85 (HINO V26C) FULLY BLACK FINISH	HINO	V26C		
AECO-NP-06412	SEMI-FINISH SLEEVE 100.00 X 107.07 X 140.70 X 113.40 X 3.28 (HONDA NX650)	HONDA	NX650		FADECYA # UC0918

Item Code	Description	Engine	Model	O.E.M. No	Reference No
AECO-NP-06404	SEMI-FINISH SLEEVE 56.50 X 62.00 X 97.00 X 64.00 X 4.00 (HONDA CG 125)	HONDA	CG-125		FADECYA # UC1606
AECO-NP-06164	SEMI-FINISH SLEEVE 56.50 X 64.15 X 96.00 X 72.00 X 4.00 (HONDA 125cc)	HONDA	HONDA		CENTRIFUGAL # A4601 & FADECYA # UC2112
AECO-NP-06405	SEMI-FINISH SLEEVE 62.50 X 67.26 X 97.00 X 68.85 X 4.76 (HONDA CBX 150)	HONDA	CBX 150		FADECYA # A1166
AECO-NP-06165	SEMI-FINISH SLEEVE 62.50 X 70.00 X 97.00 X 72.00 X 4.00 (HONDA 150cc)	HONDA	150cc		CENTRIFUGAL # A6149
AECO-NP-06406	SEMI-FINISH SLEEVE 63.50 X 68.26 X 105.00 X 69.85 X 4.76 (HONDA)	HONDA	HONDA		FADECYA # A1167
AECO-NP-06166	SEMI-FINISH SLEEVE 63.50 X 70.00 X 104.90 X 73.00 X 4.00 (HONDA 200cc)	HONDA	200cc		CENTRIFUGAL # A6152
AECO-NP-06167	SEMI-FINISH SLEEVE 67.00 X 74.12 X 101.30 X 82.10 X 4.15 (HONDA 750cc)	HONDA	750cc		CENTRIFUGAL # A6158
AECO-NP-06168	SEMI-FINISH SLEEVE 70.50 X 78.60 X 95.60 X 85.00 X 4.00 (HONDA 750cc)	HONDA	750cc		CENTRIFUGAL # UC4603
AECO-NP-06169	SEMI-FINISH SLEEVE 72.00 X 78.17 X 117.00 X 84.90 X 3.55 (HONDA 250cc)	HONDA	250cc		CENTRIFUGAL # UC4602
AECO-NP-06410	SEMI-FINISH SLEEVE 73.00 X 81.09 X 113.30 X 86.65 X 4.00 (HONDA XR250)	HONDA	XR250		FADECYA # UC1696
AECO-NP-06170	SEMI-FINISH SLEEVE 74.00 X 81.17 X 110.00 X 88.50 X 4.05 (HONDA 250cc)	HONDA	250cc		CENTRIFUGAL # A6150
AECO-NP-06171	SEMI-FINISH SLEEVE 75.00 X 83.00 X 99.00 X 89.00 X 4.50 (HONDA 450cc)	HONDA	450cc		CENTRIFUGAL # A6151
SLVS03754	SEMI-FINISH SLEEVE 76.00 X 81.01 X 152.40 (HONDA OR NISSAN/DATSUN A14)	HONDA	-		CLIENT # ALF-4076
AECO-NP-06477	SEMI-FINISH SLEEVE 79.00 X 83.00 X 144.00 (HONDA CIVIC 1.7 CTDI)	HONDA	CIVIC 1.7 CTDI		ARCO # CLHO407901P

Item Code	Description	Engine	Model	O.E.M. No	Reference No
AECO-NP-06476	SEMI-FINISH SLEEVE 79.00 X 83.00 X 144.00 X 87.00 X 2.00 (HONDA CIVIC 1.7 CTDI)	HONDA	CIVIC 1.7 CTDI		ARCO # CLHO407901S
AECO-NP-06172	SEMI-FINISH SLEEVE 84.00 X 90.20 X 116.70 X 95.48 X 4.15 (HONDA 350cc)	HONDA	350cc		CENTRIFUGAL # A6148
AECO-NP-06478	SEMI-FINISH SLEEVE 84.45 X 88.00 X 158.50 (HONDA 20T2N, 20T2R TURBO)	HONDA	20T2N, 20T2R	K89536190	ARCO # CLHO408441P
AECO-NP-06411	SEMI-FINISH SLEEVE 97.00 X 103.20 X 141.00 X 111.15 X 3.65 (HONDA XR250)	HONDA	XR-250		FADECYA # UC1030
SLVF00283	FULLY FINISH SLEEVE 104.00 X 107.00 X 192.00 (NEW TYPE) HYUNDAI K-1 (D4AF)	HYUNDAI	D4AF	OEM # 2113141200	
SLVF00282	FULLY FINISH SLEEVE 97.10 X 101.50 X 168.50 X 107.00 X 5.00 X 101.50 X 0.70 (FULLY BLACK FINISH) HYUNDAI J3	HYUNDAI	J3	211114X300 & 211344X000	ARCO # CLHD409711F
SLVS02727	SEMI-FINISH SLEEVE 100.00 X 104.00 X 191.00 X 109.00 X 5.00 (HYUNDAI D4AE & MITSUBISHI 4D31, 6D31)	HYUNDAI	D4CB CRDI	2131141300, 2113141300, ME011626, ME011523 & ME011604	ARCO # CLMI410002S CLHD410001S & CLMI610001S
SLVS00101	SEMI-FINISH SLEEVE 104.00 X 107.00 X 192.00 (NEW TYPE) HYUNDAI K-1 (D4AF)	HYUNDAI	D4AF	OEM # 2113141200	ARCO # CLHD410401P
AECO-NP-06675	SEMI-FINISH SLEEVE 83.00 X 86.00 X 165.00 X 90.00 X 2.00 (HYUNDAI D3EA)	HYUNDAI	D3EA		ARCO # CLHD308301S
AECO-NP-06346	SEMI-FINISH SLEEVE 86.70 X 90.77 X 122.00 X 95.23 X 3.90 (HYUNDAI)	HYUNDAI	HYUNDAI		FADECYA # UC0629
SLVS02726	SEMI-FINISH SLEEVE 91.00 X 94.15 X 170.00 X 98.15 X 2.00 (HYUNDAI D4CB CRDI)	HYUNDAI	D4CB CRDI	OEM # 211314A000	ARCO # CLHD409101S
SLVS04435	SEMI-FINISH SLEEVE 91.10 X 94.15 X 170.00 X 97.00 X 5.00 (HYUNDAI H-100; MITSUBISHI)	HYUNDAI	H-100		CENTRIFUGAL # A4858
SLVS04436	SEMI-FINISH SLEEVE 91.10 X 94.15 X 200.00 X 97.00 X 5.00 (HYUNDAI H-100)	HYUNDAI	H-100		CENTRIFUGAL # A4870

Item Code	Description	Engine	Model	O.E.M. No	Reference No
SLVS04972	SEMI-FINISH SLEEVE 97.10 X 101.50 X 168.50 X 107.00 X 5.00 X 101.50 X 0.70 (HYUNDAI J3)	HYUNDAI	J3	211114X300	ARCO # CLHD409711S
A011i01020000N	AIR COOLED CYLINDER BLOCK (PLAIN BORE) IFA (AIR COMP.) DIA.-70.00MM	IFA	AIR COMP.		
C411i01010027N	CYLINDER LINER (PLAIN BORE) IFA W50 (DIA.-120.00MM) FULLY BLACK FINISH	IFA	W50		MAHLE # 530WN01
C411i03003000N	CYLINDER LINER (PLAIN BORE) INTERNATIONAL BD-144 (B250/275/414) DIA.-85.725MM	INTERNATIONAL (IHC)	BD-144 (B250/275/414)		
C411i03050000N	CYLINDER LINER (PLAIN BORE) INTERNATIONAL BD-154 (B414/424/434/444) DIA.-88.90MM	INTERNATIONAL (IHC)	BD-154 (B414/424/434/444)		
C411i03050039N	CYLINDER LINER (PLAIN BORE) INTERNATIONAL BD-154 (B414/424/434/444) OR MAHINDRA TRACTOR (DIA.-88.90MM) THICK	INTERNATIONAL (IHC)	BD-154 (B414/424/434/444)	OEM # 5557311R2	
C411i03100003N	CYLINDER LINER (PLAIN BORE) INTERNATIONAL D-179,D-239,D-358 OR CASE D-179,D-239,D-358 OR NAVISTAR D-179,D-239,D-358 (DIA.-98.425M) GDE	INTERNATIONAL (IHC)	D-179, D-239, D-358	OEM # 3139592R4	AE # SJ351201 RSL50715 KS # 88891150 & MAHLE # 089WN16
C411i03150000N	CYLINDER LINER (PLAIN BORE) INTERNATIONAL D-268,D-402,844S OR CASE D-268,D-402,844S OR NAVISTAR D-268,D-402,844S (DIA.-100.00MM)	INTERNATIONAL (IHC)	D-268, D-402, 844S	OEM # 3144682R3	KS # 89018150
C411i03170000N	CYLINDER LINER (PLAIN BORE) INTERNATIONAL D-360 (DIA.-98.425MM)	INTERNATIONAL (IHC)	D-360		
C411i03200000N	CYLINDER LINER (PLAIN BORE) INTERNATIONAL D-414,DT-414,D-436,DT-436 (DIA.-109.22MM)	INTERNATIONAL (IHC)	D-414, DT-414, D-436, DT-436	OEM # 1810504C1	AE # WS-556H

Item Code	Description	Engine	Model	O.E.M. No	Reference No
C411i03230000N	CYLINDER LINER (PLAIN BORE) INTERNATIONAL DT-360 OR CASE DT-360 (WET LINER) 101.86 X 113.04 X 120.15 X 9.00 X 214.40 (+1.20)	INTERNATIONAL (IHC)	DT-360	OEM # 1809935C4	CENTRIFUGAL # UCO4784 AE # WS-577H & FADECYA # UCO1972
C411i03240008N	CYLINDER LINER (PLAIN BORE) INTERNATIONAL DT-466 (VB- WET LINER) 109.22 X 122.33 X 133.23 X 8.941 X 239.50	INTERNATIONAL (IHC)	DT-466	OEM # 1810504C1	AE # WS-556H & CLEVITE AE # 687432
C411i03240005N	CYLINDER LINER (PLAIN BORE) INTERNATIONAL DT-466 OR CASE DT-466 (MK-WET LINER) 109.22 X 122.31 X 133.35 X 8.96 X 239.30	INTERNATIONAL (IHC)	DT-466	OEM # 1810504C2	CENTRIFUGAL # UCO4690
C411i03250000N	CYLINDER LINER (PLAIN BORE) INTERNATIONAL DT-466P (NGD) OR CASE DT-466P (NGD) WET TYPE - 109.22 X 127.76 X 134.89 X 9.00 X 239.40	INTERNATIONAL (IHC)	DT-466P (NGD)	OEM # 1815674C1	CENTRIFUGAL # UCO4987 & FADECYA # UCO1973
AE13267	CYLINDER LINER (PLAIN BORE) MAXXFORCE 13 OR INTERNATIONAL (STD) DIA.- 126.00MM	INTERNATIONAL (IHC)	13	3004718C93 *	
AE13079	CYLINDER LINER (PLAIN BORE) NAVISTAR DT-466, INTERNATIONAL DT-466 (DIA.- 116.586MM) BODY DIA. BLACK FINISH	INTERNATIONAL (IHC)	DT-466	OEM # 1875703C1	
C411N02080000Y	CYLINDER LINER (PLAIN BORE) NAVISTAR DT- 466E,INTERNATIONAL DT-466E (DIA.-116.586MM)	INTERNATIONAL (IHC)	DT-466E	OEM # 1841326C1 (1830706C1)	
C411i03180000N	CYLINDER LINER(PLAIN BORE)INTERNATIONAL D-361,DT- 361 OR CASE D-361,DT-361 OR NAVISTAR D-361,DT-361 (DIA.- 98.425MM)	INTERNATIONAL (IHC)	D-361, DT- 361	3144447, 3139587R3 & 3055019	AE # WS-468 KS # 88892150 MAHLE # 089WN17 & BEPCO # 25/35-62

Item Code	Description	Engine	Model	O.E.M. No	Reference No
SLVF00263	FULLY FINISH SLEEVE 101.60 X 107.91 X 257.30 X 113.80 X 4.76 (IHC/CASE/NAVISTAR BD264)	INTERNATIONAL (IHC)	BD-264		CENTRIFUGAL # UCO4786
SLVF00084	FULLY FINISH SLEEVE 101.60 X 107.953 X 257.175 X 113.792 X 4.775 (INTERNATIONAL BD-264 (B450) OR CASE BD-264 (B450) OR NAVISTAR BD-264 (B450))	INTERNATIONAL (IHC)	BD-264 (B450)	OEM # 31114887R1	AE # SJ181601
SLVF00108	FULLY FINISH SLEEVE 104.775 X 109.499 X 218.281 X 110.846 X 2.642(INTERNATIONAL D-361,DT-361)	INTERNATIONAL (IHC)	D-361,DT-361	OEM # 349114R11	AE # DS458
SLVF00199	FULLY FINISH SLEEVE 109.75 X 113.51 X 220.66 X 115.89 X 3.11 (INTERNATIONAL D-407,DT-407)	INTERNATIONAL (IHC)	D-407, DT-407		AE # DS-504
SLVF00109	FULLY FINISH SLEEVE 90.500 X 93.701 X 192.088 X 102.921 X 4.801(INTERNATIONAL C-221,C-263)	INTERNATIONAL (IHC)	C-221,C-263	367645R2	AE # DS343
SLVF00110	FULLY FINISH SLEEVE 93.675 X 96.812 X 192.088 X 105.791 X 4.763 X 98.25 X 0.965 (INTERNATIONAL D-188,D-236,D-282)	INTERNATIONAL (IHC)	D-188, D-236, D-282	OEM # 278272R1	AE # DS341
SLVF00200	FULLY FINISH SLEEVE 93.68 X 96.88 X 193.28 X 98.37 X 1.75 (INTERNATIONAL D-236,DT-282)	INTERNATIONAL (IHC)	D-236, DT-282		AE # DS-459
SLVF00198	FULLY FINISH SLEEVE 95.25 X 98.48 X 192.08 X 99.82 X 2.64 (INTERNATIONAL C-291)	INTERNATIONAL (IHC)	C-291		AE # DS-474
AECO-NP-06513	CYLINDER LINER (PLAIN BORE) ISUZU 6QA1 NEW (125.00 X 140.00 X 257.00 X 146.70 X 11.00 X 2.00)	ISUZU	6QA1	1112611600	ARCO # CLIS612502F
C411i05220000N	CYLINDER LINER (PLAIN BORE) ISUZU DA120 (DIA-100.00MM)	ISUZU	DA120	9112612760, 9112612870 & 9112612871	ARCO # CLIS610001F

Item Code	Description	Engine	Model	O.E.M. No	Reference No
C411i05230000N	CYLINDER LINER (PLAIN BORE) ISUZU DA640, DA640C (DIA.- 102.00MM)	ISUZU	DA640, DA640C	OEM # 9112612880 & 9112612770	ARCO # CLIS610201F
AECO-NP-06504	CYLINDER LINER (PLAIN BORE) ISUZU DH100 (120.00 X 135.00 X 280.00 X 140.60 X 11.00)	ISUZU	DH100	9112612410 & 9112612700	ARCO # CLIS612001F
AECO-NP-06514	CYLINDER LINER (PLAIN BORE) ISUZU PA1 (115.00 X 130.00 X 219.50 X 141.70 X 10.00 X 1.20)	ISUZU	PA1	1112610630	ARCO # CLIS811501F CLISA11501F & CLISB11501F
AECO-NP-06952	CYLINDER LINER(PLAIN BORE)ISUZU 10PD1, 12PD1(DIA.- 119.00MM)119.00 X 133.00 X 234.25 X 143.70 X 1 0.00 X ??? X 1.25	ISUZU	10PD1, 12PD1	1112611611	
AECO-NP-06951	CYLINDER LINER(PLAIN BORE)ISUZU 8PC1, 10PC1(DIA.- 119.00MM)119.00 X 133.00 X 219.25 X 143.70 X 10 .00 X ??? X 1.25	ISUZU	8PC1, 10PC1	1112610760	
AECO-NP-06950	CYLINDER LINER(PLAIN BORE)ISUZU DA640A(DIA.- 102.00MM)102.00 X 113.00 X 220.00 X 116.00 X 10.00	ISUZU	DA640A	9112613020	
AECO-NP-06960	CYLINDER LINER(PLAIN BORE)ISUZU DA640B(DIA.- 102.00MM)102.00 X 113.00 X 220.00 X 119.00 X 8.00	ISUZU	DA640B	9112612930	
AECO-NP-06182	FULLY FINISH SLEEVE 102.00 X 104.98 X 204.00 X 111.95 X 3.00 (ISUZU 4BB1, 4BD1)	ISUZU	4BB1, 4BD1		CENTRIFUGAL # UCO4664
SLVF00175	FULLY FINISH SLEEVE 102.00 X 105.00 X 204.00 X 112.00 X 1.40(FULLY CHROME PLATED)ISUZU 4BB1,4BD1, 6BB1,6BD1	ISUZU	4BB1,4BD1,6 BF1, 6BG1	1112611180, 1112612420, 5112610040 & 5112611180	DIA # ISCR10201F & ARCO # CLIS410201C & CLIS610202C
SLVF00264	FULLY FINISH SLEEVE 102.00 X 106.00 X 185.50 X 110.30 X 10.10 (ISUZU 4BB1,4BD1,6BB1,6BD1)	ISUZU	4BB1, 4BD1, 6BB1, 6BD1	OEM # 5112610140 & 5112610142	ARCO # CLIS410202F

Item Code	Description	Engine	Model	O.E.M. No	Reference No
AECO-NP-06502	FULLY FINISH SLEEVE 102.00x105.00x187.00x112.00x 1.40(ISUZU 4BC1,4BC2)FULLY CHROME PLATED	ISUZU	4BC1, 4BC2	5112610140 & 5112610142	ARCO # CLIS410202C
AECO-NP-06496	FULLY FINISH SLEEVE 105.00 X 107.00 X 187.00 X 113.00 X 1.40 (ISUZU 4BE1) FULLY CHROME PLATED	ISUZU	4BE1	5112610162	ARCO # CLIS410501C
SLVF00174	FULLY FINISH SLEEVE 105.00 X 107.00 X 203.00 X 113.00 X 1.40 (FULLY CHROME PLATED) ISUZU 6BF1,6BG1	ISUZU	6BF1, 6BG1	OEM # 1112611190	DIA # ISCR10501F & ARCO # CLIS610501C
SLVF00176	FULLY FINISH SLEEVE 110.00 X 113.00 X 210.00 X 119.70 X 6.00 (ISUZU 6HE1,6HE1T)	ISUZU	6HE1,6HE1T	OEM # 8943963320 & 8943905300	DIA # ISCS11001F
SLVF00278	FULLY FINISH SLEEVE 110.00 X 115.00 X 210.00 X 121.70 X 5.70 X 115.00 X 0.40 (ISUZU 4HE1T)	ISUZU	4HE1T	8971767230, 8971767240, 8971767250, 8971767260 & 8971767280	ARCO # CLIS411002F
SLVF00022	FULLY FINISH SLEEVE 112.00 X 115.00 X 180.00 X 121.70 X 6.00 (ISUZU 4HF1)	ISUZU	4HF1	OEM # 8943892763	DIA # ISCS11201F
SLVF00279	FULLY FINISH SLEEVE 112.00 X 115.00 X 180.00 X 122.00 X 6.00 (ISUZU 4HF1) FULLY BLACK FINISH	ISUZU	4HF1	8971441740 & 8971767270	ARCO # CLIS411201F
SLVF00274	FULLY FINISH SLEEVE 115.00 X 118.00 X 183.00 X 123.70 X 6.00 (ISUZU 4HL1)	ISUZU	4HL1		
AECO-NP-06503	FULLY FINISH SLEEVE 115.00 X 119.00 X 216.00 X 126.00 X 6.00 (ISUZU 6SA1, 6SA1T)	ISUZU	6SA1, 6SA1T	1112610653 & 1112610941	ARCO # CLIS611502F
AECO-NP-06505	FULLY FINISH SLEEVE 120.00 X 123.00 X 239.00 X 129.60 X 6.00 X 123.00 X 1.00 (ISUZU 6SD1, 6SD1T)	ISUZU	6SD1, 6SD1T	1112611062 & 1112612980	ARCO # CLIS612002F
AECO-NP-06506	FULLY FINISH SLEEVE 125.00x140.00x282.00x146.70x 11.00x2.00(ISUZU 6QA1)FULLY BLACK FINISHED	ISUZU	6QA1	1112610740 & 1112610611	ARCO # CLIS612501F

Item Code	Description	Engine	Model	O.E.M. No	Reference No
AECO-NP-06479	FULLY FINISH SLEEVE 83.00 X 86.00 X 174.50 X 92.00 X 1.40 (FULLY CHROME PLATED) ISUZU C221	ISUZU	C221	9112612530 & 9112612531	ARCO # CLIS408301C
AECO-NP-06480	FULLY FINISH SLEEVE 86.00 X 88.00 X 178.50 X 94.00 X 0.90 (FULLY CHROME PLATED) ISUZU C240	ISUZU	C240	9112612301 & 9112612300	ARCO # CLIS408601C
AECO-NP-06349	FULLY FINISH SLEEVE 88.00 X 90.00 X 163.00 X 95.00 X 0.90 (ISUZU C223) FULLY CHROME PLATED	ISUZU	C223	K89360110, M629WT15, 5112610152, 8941698831 & 5112610150	ARCO # CLIS408801C
SLVF00169	FULLY FINISH SLEEVE 93.00 X 95.00 X 156.00 X 101.00 X 0.90 (FULLY CHROME PLATED) ISUZU 4JA1	ISUZU	4JA1	8944621300, 8941101440 & 8971766910	DIA # ISCR09301F & ARCO # CLIS409301C
SLVF00259	FULLY FINISH SLEEVE 93.00 X 95.00 X 181.00 X 101.00 X 0.90 (ISUZU 4JB1) FULLY CHROME PLATED	ISUZU	4JB1	OEM # 8942478612 & 8942478610	ARCO # CLIS409302C
SLVF00260	FULLY FINISH SLEEVE 95.40 X 97.00 X 178.60 X 102.30 X 1.10 (ISUZU 4JG2) CHROME PLATED SLEEVE	ISUZU	4JG2	OEM # 8971767020 & 8944567910	ARCO # CLIS409541C
AECO-NP-06493	FULLY FINISH SLEEVE 98.00 X 101.00 X 180.50 X 108.00 X 1.40 (ISUZU 4BA1) FULLY CHROME PLATED	ISUZU	4BA1	5112618020 & 9112618022	ARCO # CLIS409801C
AECO-NP-06949	FULLY FINISH SLEEVE 98.00 X 101.00 X 206.50 X 108.00 X 1.40 (ISUZU D500)	ISUZU	D500	9112612570	
AECO-NP-06495	SEMI-FINISH SLEEVE 102.00 X 106.00 X 185.50 X 110.30 X 10.10 (ISUZU 4BB1, 4BD1, 6BB1, 6BD1)	ISUZU	4BB1, 4BD1, 6BB1, 6BD1	5112610140 & 5112610142	ARCO # CLIS410202S
SLVS00072	SEMI-FINISH SLEEVE 102.00 X 107.00 X 187.00 X 112.00 X 4.00 (ISUZU 4BC2)	ISUZU	4BC2		

Item Code	Description	Engine	Model	O.E.M. No	Reference No
AECO-NP-06501	SEMI-FINISH SLEEVE 102.00 X 107.10 X 204.00 X 112.00 X 4.00 (ISUZU 6BB1, 6BD1, 6BD1T)	ISUZU	6BB1, 6BD1, 6BD1T	1112612420, 5112610040 & 5112611180	ARCO # CLIS610202S
AECO-NP-06348	SEMI-FINISH SLEEVE 105.00 X 110.14 X 203.00 X 113.90 X 4.00 (ISUZU 4BE1)	ISUZU	4BE1	5112611190	FADECYA # UZ1069
AECO-NP-06498	SEMI-FINISH SLEEVE 110.00x113.00x210.00x119.70x 5.60x113.00x0.40 (ISUZU 4HE1-TC, 6HE1T)	ISUZU	4HE1-TC	8943916000 & 8943916010	ARCO # CLIS411005S & CLIS611002S
AECO-NP-06500	SEMI-FINISH SLEEVE 115.00 X 118.00 X 180.00 X 123.60 X 6.10 (ISUZU 4HG1)	ISUZU	4HG1	8973515581 & 8973515580	ARCO # CLIS411501S
SLVS02886	SEMI-FINISH SLEEVE 115.00 X 118.00 X 210.00 X 123.70 X 6.00 (ISUZU 6HH1)	ISUZU	6HH1	8943916020, 8943916030 & 8943932731	ARCO # CLIS611501S
AECO-NP-06953	SEMI-FINISH SLEEVE 127.00 X 130.50 X 233.00 X 136.50 X 6.00 (ISUZU 8PE1, 10PE1, 12PE1)	ISUZU	8PE1, 10PE1, 12PE1	1112611750	
AECO-NP-06958	SEMI-FINISH SLEEVE 132.90 X 137.00 X 266.00 X 143.70 X 6.00 (ISUZU 6WA1)	ISUZU	6WA1	1112612960	
AECO-NP-06956	SEMI-FINISH SLEEVE 132.90 X 137.00 X 267.00 X 143.70 X 6.00 X ??? X 1.20 (ISUZU 6RB1-MTC)	ISUZU	6RB1-MTC	1112611160	
AECO-NP-06957	SEMI-FINISH SLEEVE 132.90 X 141.00 X 264.00 X 146.70 X 6.00 (ISUZU UM-6RB1)	ISUZU	UM-6RB1	1112611060	
AECO-NP-06959	SEMI-FINISH SLEEVE 135.00 X 141.00 X 264.00 X 143.70 X 6.00 (ISUZU E120, 6RA1, 6RB1)	ISUZU	E120, 6RA1, 6RB1	9112612900 & 1112611330	
AECO-NP-06179	SEMI-FINISH SLEEVE 79.00 X 82.25 X 147.90 X 83.78 X 4.90 (ISUZU 4EE1)	ISUZU	4EE1		CENTRIFUGAL # A6112
AECO-NP-06510	SEMI-FINISH SLEEVE 84.00 X 88.00 X 150.00 (ISUZU 4FC1)	ISUZU	4FC1	5112611190	ARCO # CLIS408401P
SLVS00922	SEMI-FINISH SLEEVE 86.00 X 89.70 X 181.00 X 94.00 X 4.00 (ISUZU)	ISUZU	-		

Item Code	Description	Engine	Model	O.E.M. No	Reference No
SLVS00926	SEMI-FINISH SLEEVE 86.00 X 90.00 X 163.50 X 94.00 X 4.00 (ISUZU C190)	ISUZU	C-190	OEM # 9112612240 & 9112612241	DIA # ISCS08601S & ARCO # CLIS408602S
SLVS00930	SEMI-FINISH SLEEVE 86.00 X 90.00 X 178.00 X 94.00 X 4.00 (ISUZU C240)	ISUZU	C-240		DIA # ISCS08602S
AECO-NP-06512	SEMI-FINISH SLEEVE 88.00 X 92.00 X 169.00 X 96.00 X 4.00 (ISUZU 4FD1)	ISUZU	4FD1		ARCO # CLIS408802S
AECO-NP-06511	SEMI-FINISH SLEEVE 88.00 X 92.20 X 164.00 X 96.00 X 5.00 (ISUZU C223)	ISUZU	C223	5112610150 2, 8941698831 & 5112610150	ARCO # CLIS408801S & FADECYA # AE1076
AECO-NP-06488	SEMI-FINISH SLEEVE 89.30 X 93.30 X 194.50 X 97.30 X 4.00 (ISUZU 4FG1)	ISUZU	4FG1		ARCO # CLIS408931S
SLVS05174	SEMI-FINISH SLEEVE 93.00 X 95.00 X 181.00 X 101.00 X 0.90 (ISUZU 4JB1)	ISUZU	4JB1	OEM # 8942478612 & 8942478610	ARCO # CLIS409302C
AECO-NP-06338	SEMI-FINISH SLEEVE 93.00 X 98.00 X 181.00 X 102.00 X 4.00 (ISUZU 4JB1)	ISUZU	4JB1	8942478612 & 8942478610	FADECYA # UZ1385 & ARCO CLIS409302S
SLVS01265	SEMI-FINISH SLEEVE 93.00 X 98.00 X 181.00 X 102.00 X 4.00 (ISUZU 4JB1)	ISUZU	4JB1	8942478610 & 8942478612	DIA # ISCS09302S, ARCO # CLIS409302S
SLVS02887	SEMI-FINISH SLEEVE 95.40 X 100.00 X 181.50 X 103.30 X 4.00 (ISUZU 4JG2)	ISUZU	6HH1	OEM # 8971767020 & 8944567910	ARCO # CLIS409541S & FADECYA # UZ2043
AECO-NP-06492	SEMI-FINISH SLEEVE 95.40 X 99.40 X 180.00 X 103.40 X 4.00 (ISUZU 4JJ1-TC CRDI)	ISUZU	4JJ1-TC		ARCO # CLIS409544S
AECO-NP-06357	SEMI-FINISH SLEEVE 98.00 X 102.25 X 180.00 X 108.00 X 4.00 (ISUZU 4BA1)	ISUZU	4BA1	5112618020 & 9112618022	AE # RSE46705 & ARCO # CLIS409801S

Item Code	Description	Engine	Model	O.E.M. No	Reference No
C411J01030000N	CYLINDER LINER (PLAIN BORE) JAGUAR V12 (E-TYPE) DIA.- 3.543"/89.95MM	JAGUAR	V12 (E-TYPE)		AE # SJ4213 & CL-4213
AE13085	CYLINDER LINER (PLAIN BORE) JAGUAR V12 (E-TYPE) DIA.- 96.00MM (DOUBLE FLAT)	JAGUAR	V12 (E-TYPE)		
AE13084	CYLINDER LINER (PLAIN BORE) JAGUAR V12 (E-TYPE) DIA.- 96.00MM (SINGLE FLAT)	JAGUAR	V12 (E-TYPE)		
SLVS00949	SEMI-FINISH SLEEVE 86.990 X 90.551 X 177.267 (JAGUAR 3.8 (6 CYL))	JAGUAR	3.8		CLIENT REF # CL636
SLVS00950	SEMI-FINISH SLEEVE 86.990 X 91.440 X 177.267 X 94.386 X 4.953 (JAGUAR 3.8 (6 CYL) WITH COLLAR	JAGUAR	3.8		CLIENT REF # CL636FL
SLVS01817	SEMI-FINISH SLEEVE 92.075 X 96.647 X 177.292 X 99.568 X 4.953(WITH COLLAR) JAGUAR 4.2 LTR.	JAGUAR	4.2 LTR		AE # 3891FL
SLVS01240	SEMI-FINISH SLEEVE 92.080 X 95.630 X 177.038(JAGUAR 4.2 LTR.)	JAGUAR	4.2 LTR		AE #=SU3981
C411J04030000N	CYLINDER LINER (PLAIN BORE) JENBACH JW-15 (DIA.- 115.00MM)	JENBACH	JW-15	OEM # 2E0502	
C411J04040000N	CYLINDER LINER (PLAIN BORE) JENBACH JW-20 (DIA.- 125.00MM)	JENBACH	JW-20		
C411G05010000N	CYLINDER LINER (PLAIN BORE) GONGDONG S-190,R-190 (DIA.- 90.00MM)	JIANG DONG	S-190, R-190		
C411J05040000Y	CYLINDER LINER (PLAIN BORE) JIANG DONG JD-330 (DIA.- 130.00MM)	JIANG DONG	JD-330		
C411J05010000N	CYLINDER LINER (PLAIN BORE) JIANG DONG S-1110,ZH-1110 (DIA.-110.00MM)	JIANG DONG	S-1100, ZS- 1110		
C411J05020000N	CYLINDER LINER (PLAIN BORE) JIANG DONG ZH-1115/S-1115 (DIA.-115.00MM)	JIANG DONG	ZH-1115/S- 1115		

Item Code	Description	Engine	Model	O.E.M. No	Reference No
C411J05030000N	CYLINDER LINER (PLAIN BORE) JIANG DONG ZH-1125 (DIA.- 125.00MM)	JIANG DONG	ZH-1125		
C411D15220000Y	CYLINDER LINER (PLAIN BORE) JIANG DONG ZS-1115/S-1115 (DIA.-115.00MM)	JIANG DONG	ZS-1115	*	
C411J07010000N	CYLINDER LINER (PLAIN BORE) JINMAR S-1100 (4 RR) DIA.- 100.00MM	JINMAR	S-1100		
C411J08010000N	CYLINDER LINER (PLAIN BORE) JOHN DEERE 2020 (DIA.- 98.00MM)	JOHN DEERE	2020	NT32340, T24967, T20085 & T28746	BEPCO # 26/35-46 & CENTRIFUGAL # UCO4791
C411J08220000Y	CYLINDER LINER (PLAIN BORE) JOHN DEERE 3.152D,4.202D,6.303D (1020,2020,3120) DIA.-98.00MM	JOHN DEERE	3.152D, 4.202D, 6.303D (1020, 2020, 3120)	OEM # NR48635 & AR51902	BEPCO # 26/35-45
C411J08250000Y	CYLINDER LINER (PLAIN BORE) JOHN DEERE 3.152D,4.202D,6.303D (1120,2120) DIA.-102.00MM	JOHN DEERE	3.152D, 4.202D, 6.303D (1120, 2120)	OEM # NR48636 & AR51903	KS # 88896110 & BEPCO # 26/35-47
C411J08030000N	CYLINDER LINER (PLAIN BORE) JOHN DEERE 300 SERIES 3.164D,4.219D,6.329D (DIA.- 102.00MM)	JOHN DEERE	300 SERIES 3.164D, 4.219D, 6.329D	NR116463, R57582 & T32343	KS # 89036110 CENTRIFUGAL # UCO4618 & BEPCO # 26/35-48
C411J08040000N	CYLINDER LINER (PLAIN BORE) JOHN DEERE 300 SERIES 3.179D,4.239D,6.359D (DIA.- 106.50MM)	JOHN DEERE	300 SERIES 3.179D, 4.239D, 6.359D	NR116281, R51726, R80724, R75927, R95927, R90059, R131575 & RE500023	CENTRIFUGAL # UCO4624 & BEPCO # 26/35-51 (OLD) BEPCO # 26/35-53 (NEW) 26/35- 51 (OLD)
C411J08080000N	CYLINDER LINER (PLAIN BORE) JOHN DEERE 300 SERIES 4.276D,6.414T (DIA.-106.50MM)	JOHN DEERE	300 SERIES 4.276D, 6.414T	NR121867, R80500, R54505, RE500024, R116383 & R115336	BEPCO # 26/35-149 (26/35-150)

Item Code	Description	Engine	Model	O.E.M. No	Reference No
C411J08130000N	CYLINDER LINER (PLAIN BORE) JOHN DEERE 400 SERIES 4.270D,6.404D (DIA.-107.95MM)	JOHN DEERE	400 SERIES 4.270D, 6.404D	NR32050, RE23173 & AR32195	
C411J08130012N	CYLINDER LINER (PLAIN BORE) JOHN DEERE 400 SERIES 4.270D,6.404D (DIA.-107.95MM) PART # EM2976	JOHN DEERE	400 SERIES 4.270D, 6.404D	OEM # NR40615 & R40615	PART # EM2976 & BEPCO # 26/35-152
C411J08150000N	CYLINDER LINER (PLAIN BORE) JOHN DEERE 400 SERIES 6.466,6.076H,6.076T (DIA.- 115.90MM)	JOHN DEERE	400 SERIES 6.466, 6.076H, 6.076T	NR123969, AR63060 & R87858	BEPCO # 26/35-155
C411J08180000N	CYLINDER LINER (PLAIN BORE) JOHN DEERE 500 SERIES 6.531D (DIA.-120.65MM)	JOHN DEERE	500 SERIES 6.531D	OEM # R42366	
C411J08450000N	CYLINDER LINER (PLAIN BORE) JOHN DEERE 6.081H,6.081T (DIA.-115.90MM)	JOHN DEERE	6.081H, 6.081T	OEM # RE520212 & R116236	BEPCO # 26/35-195
AECO-NP-06183	CYLINDER LINER(PLAIN BORE)JOHN DEERE 3010, 3020(JD254/381/404)400 SERIES(107.95 X 121.85 X 232. 20 X 131.51 X 6.34)	JOHN DEERE	3010, 3020		CENTRIFUGAL # UCO4832
C411K01010000N	CYLINDER LINER (PLAIN BORE) KAMAZ 740.10 (DIA.-120.00MM) TRUCK	KAMAZ	740.1	452WN02, 89459110 & 740.100.202 1-24 *	FADECYA # UCO1165 & BF # 20043143100
C411K01010013N	CYLINDER LINER (PLAIN BORE) KAMAZ TRUCK (DIA.-120.00MM) BLACK BODY	KAMAZ		OEM # 7401310020 21	
AECO-NP-06185	SEMI-FINISH SLEEVE 70.00 x 74.00 x 122.00 (KAMAZ, LADA, DEUTZ, KIA)	KAMAZ			CENTRIFUGAL # AL4581
SLVS04429	SEMI-FINISH SLEEVE 70.00 X 74.00 X 122.00 X 78.00 X 5.00 (KAMAZ, LADA, DEUTZ, KIA)	KAMAZ			CENTRIFUGAL # A4581
SLVS04431	SEMI-FINISH SLEEVE 86.00 X 89.00 X 163.00 X 94.00 X 2.70 (KAMAZ, LADA, DEUTZ, KIA)	KAMAZ			CENTRIFUGAL # UC4582

Item Code	Description	Engine	Model	O.E.M. No	Reference No
SLVS04430	SEMI-FINISH SLEEVE 86.00 X 90.00 X 165.00 X 91.60 X 4.80 (KAMAZ, LADA, DEUTZ, KIA)	KAMAZ			CENTRIFUGAL # A4582
AECO-NP-06401	SEMI-FINISH SLEEVE 53.00 X 59.00 X 118.10 X 61.07 X 4.45 (KAWASAKI KMX125)	KAWASAKI	KMX125		FADECYA # UC1694
SLVF00185	FULLY FINISH SLEEVE 100.00 X 103.50 X 193.50 X 108.00 X 2.50 X 103.50 X 0.80 (KIA JD (K3500), SH (K3600))	KIA	K-3500, K-3600	OEM # OK41010311 B & SL0123051	ARCO # CLKI410001F
SLVF00065	FULLY FINISH SLEEVE 92.00 X 96.90 X 167.00 X 101.00 X 3.80 X 97.00 X 0.80KIA SF (K-2400)	KIA	K-2400		
SLVF00284	FULLY FINISH SLEEVE 92.00 X 96.90 X 192.00 X 100.95 X 3.84 X 96.90 X 0.70 (ASIA SS K2700)	KIA	SS K2700	K80010311A	
SLVF00068	FULLY FINISH SLEEVE 93.00 X 96.84 X 168.20 X 102.50 X 2.60 X 95.00 X 0.68 (KIA RFA (HI-BESTA 2.7) FULLY BLACK FINISH	KIA	RFA (HI-BESTA 2.7)	OEM # T02VN01103 11	YPR # 53531
SLVF00091	FULLY FINISH SLEEVE 94.50 X 97.50 X 167.60 X 104.35 X 3.85 X 97.10 X 0.80 (BLACK PHOSPHATED) KIA JS (K-2700)	KIA	K-2700	OEM # OK65A10311	YPR # 53536
SLVF00074	FULLY FINISH SLEEVE 98.00 X 101.50 X 166.18 X 107.00 X 2.50 X 99.80 X 0.68(KIA JT)FULLY BLACK FINISH	KIA	JT	OK75A10311 , OK75A10311 B & OK75B10311	ARCO # CLKI409801F
SLVF00275	FULLY FINISH SLEEVE 98.00 X 101.50 X 168.00 X 107.00 X 2.50 X 99.80 X 0.68(KIA JT)	KIA	JT	OEM # OK75A10311 , OK75A10311 B, & OK75B10311	
SLVS04420	SEMI-FINISH SLEEVE 100.00 X 103.50 X 193.50 X 108.00 X 2.50 X 103.50 X 0.80 (KIA JD (K3500), SH (K3600), ASIA, MAZDA)	KIA	JD(K3500)	OEM # OK41010311 B & SL0123051	ARCO # CLKI410001S & FADECYA # UC1075

Item Code	Description	Engine	Model	O.E.M. No	Reference No
AECO-NP-06039	SEMI-FINISH SLEEVE 76.50 X 80.50 X 147.00 X 82.09 X 4.90 (KIA/AUDI 801, 1500S)	KIA	801,1500S		CENTRIFUGAL # A1765(STD0.0 20" & 0.040")
SLVS01025	SEMI-FINISH SLEEVE 88.90 X 96.90 X 167.00 X 101.00 X 3.80 X 96.00 X 0.80 (KIA B2200)	KIA	B2200		FADECYA # UC1450 & CENTRIFUGAL # UC4855
SLVS01163	SEMI-FINISH SLEEVE 91.00 X 99.00 X 220.00 X 105.00 X 6.00 (KIA)	KIA	-		
AECO-NP-06682	SEMI-FINISH SLEEVE 92.00 X 96.90 X 165.00 X 100.90 X 3.86 X 96.90 X 0.80 (KIA SF (K2400))	KIA	K-2400	145610311, 145610311B, K45610311, K75610311, K75A10311, OK75610311 & OK75610311 A	ARCO # CLKI409201S
SLVS05069	SEMI-FINISH SLEEVE 92.00 X 96.90 X 192.00 X 100.95 X 3.84 X 96.90 X 0.70 (ASIA SS K2700)	KIA	SS K2700	K80010311A	ARCO # CLAS409201S
SLVS01520	SEMI-FINISH SLEEVE 92.00 X 97.05 X 167.00 X 101.50 X 5.50 (KIA NPR-430)	KIA	NPR-430		
SLVS01241	SEMI-FINISH SLEEVE 92.40 X 96.90 X 191.00 X 101.00 X 3.80 X 96.00 X 0.80 (KIA SS (K-2700))	KIA	K-2700		
SLVS02730	SEMI-FINISH SLEEVE 94.50 X 97.47 X 166.00 X 104.20 X 3.85 X 97.47 X 0.50 (KIA J2)	KIA	J2	K65A10311, OK65A10311 & OK65B10311	ARCO # CLKI409451S
SLVS04548	SEMI-FINISH SLEEVE 97.10 X 101.50 X 168.00 X 106.00 X 2.50 X 101.50 X 0.70 (KIA J3,TCI)	KIA	J3 TCI	OK55110311 & OK55110311 A	ARCO # CLKI409711S
C411K07200000N	CYLINDER LINER (PLAIN BORE) KIRLOSKAR 3R1040 (25 KVA) DIA.-105.00MM	KIRLOSKAR	3R1040 (25 KVA)		PART #=2H0080100 0

Item Code	Description	Engine	Model	O.E.M. No	Reference No
C411K07020017N	CYLINDER LINER (PLAIN BORE) KIRLOSKAR AV-1/AV-2 W/C (DIA.- 80.00MM) BRIGHT BODY	KIRLOSKAR	AV-1/AV-2	OEM #=VWB3aN & 10.014.01.0	
C411K07040000N	CYLINDER LINER (PLAIN BORE) KIRLOSKAR DM-10 (DIA.- 102.00MM)	KIRLOSKAR	DM-10	OEM # D1008100	
C411K07070017N	CYLINDER LINER (PLAIN BORE) KIRLOSKAR JV-1/JV-2 W/C (DIA.- 85.00MM) BRIGHT BODY	KIRLOSKAR	JV-1/JV-2		
C411K07150017N	CYLINDER LINER (PLAIN BORE) KIRLOSKAR TV-1/TV-2 W/C (DIA.- 87.50MM) BRIGHT BODY	KIRLOSKAR	TV-1/TV-2		
AECO-NP-06188	SEMI-FINISH SLEEVE 75.00 X 79.00 X 110.00 X 81.00 X 5.00 (KNORR B58 VOLVO)	KNORR-BREMSE	B58		CENTRIFUGAL # A6166
AECO-NP-06190	SEMI-FINISH SLEEVE 88.00 X 91.40 X 110.00 X 93.50 X 5.00 (KNORR 124G)	KNORR-BREMSE	124G		CENTRIFUGAL # A6172
AECO-NP-06189	SEMI-FINISH SLEEVE 88.00 X 92.00 X 102.50 X 93.60 X 4.90 (KNORR LK18, LK19, LK38, LP39, LP49)	KNORR-BREMSE	LK18, LK19, LK38, LP39, LP49		CENTRIFUGAL # A4614
C411K10020027N	CYLINDER LINER (PLAIN BORE) KOMATSU 4D105/S4D105 (DIA.- 105.00MM) FULLY BLACK FINISH	KOMATSU	4D105/S4D1 05	OEM # 6130222310	DIA # KMCL10502F
C411K10010027N	CYLINDER LINER (PLAIN BORE) KOMATSU 4D94,Z50 (DIA.- 94.00MM) FULLY BLACK FINISH	KOMATSU	4D94, Z50	OEM # 6144212211	DIA # KMCL09401F
C411K10040027N	CYLINDER LINER (PLAIN BORE) KOMATSU 6D105/S6D105 (DIA.- 105.00MM) FULLY BLACK FINISH	KOMATSU	6D105/S6D1 05	6136212210, 6137222210 & 6137212210	DIA # KMCL10503F

Item Code	Description	Engine	Model	O.E.M. No	Reference No
C411K10080027N	CYLINDER LINER (PLAIN BORE) KOMATSU 6D125/S6D125 (DIA.- 125.00MM) FULLY BLACK FINISH	KOMATSU	6D125/S6D1 25	6150212221, 6150212220 & 6151222220 *	DIA # KMCL12501F & ARCO # CLKO612501F
C411K10090027N	CYLINDER LINER (PLAIN BORE) KOMATSU 6D155/S6D155 (DIA.- 155.00MM) FULLY BLACK FINISH (155.00 X 176.00 X 327.00 X 186.00 X 14.00 X ?? X 2.00)	KOMATSU	6D155/S6D1 55	OEM # 6128212214 & 6128212215	DIA # KMCL15501F- PF
AECO-NP-06191	CYLINDER LINER (PLAIN BORE) KOMATSU D65/D75 (125.00 X 141.36 X 256.60 X 152.99 X 10.21	KOMATSU	D65/D75		CENTRIFUGAL # UCO4910
C411K10100027N	CYLINDER LINER (PLAIN BORE) KOMATSU S6D155 (NEW) DIA.- 155.00MM (FULLY BLACK FINISH)	KOMATSU	S6D155	OEM # 6128292210	DIA # KMCL15502F- PF
AECO-NP-06969	CYLINDER LINER(PLAIN BORE)KOMATSU 4D105(OLD)DIA.- 105.00MM(105.00 X 118.00 X 228.00 X 125.50 X 1 0.00 X ??? X 1.00)	KOMATSU	4D105 (OLD)	6130222213	DIA # KMCL10501F
AECO-NP-06970	CYLINDER LINER(PLAIN BORE)KOMATSU 4D120, S4D120(DIA.-120.00MM)120.00 X 140.00 X 293.00 X 150.00 X 13.00 X ??? X 1.00	KOMATSU	4D120, S4D120	6110212212	DIA # KMCL12002F
AECO-NP-06971	CYLINDER LINER(PLAIN BORE)KOMATSU 4D130, S4D130(DIA.-130.00MM)130.00 X 146.00 X 293.00 X 156.00 X 13.00 X ??? X 1.00	KOMATSU	4D130, S4D130	6115212211	DIA # KMCL13001F
AECO-NP-06968	CYLINDER LINER(PLAIN BORE)KOMATSU 4D92(DIA.- 92.00MM)92.00 X 106.00 X 185.00 X 115.00 X 10.00 X ??? X 1.00	KOMATSU	4D92	6140212211	DIA # KMCL09201F

Item Code	Description	Engine	Model	O.E.M. No	Reference No
AECO-NP-06974	CYLINDER LINER(PLAIN BORE)KOMATSU 6D140(DIA.-140.00MM)140.00 X 158.00 X 283.00 X 170.50 X 11.00 X ??? X 2.00	KOMATSU	6D140	6211212210	DIA # KMCL14001FT F
AECO-NP-06973	CYLINDER LINER(PLAIN BORE)KOMATSU NH220(DIA.-130.00MM)130.00 X 146.00 X 303.50 X 156.00 X 11.00 X ??? X 2.00	KOMATSU	NH220	6610212213 & 6610212212	DIA # KMCL13011FP F
AECO-NP-06985	CYLINDER LINER(PLAIN BORE)KOMATSU SA6D155(DIA.-155.00MM)FULLY BLACK FINISH(155.00 X 176.00 X 327.00 X 186.00 X 14.30 X ?? X 1.50	KOMATSU	SA6D155	6128212222	ARCO # CLKO615501F
AECO-NP-06986	CYLINDER LINER(PLAIN BORE)KOMATSU SV6D170(DIA.-170.00MM)FULLY BLACK FINISH(170.00 X 190.00 X 342.00 X 206.00 X 14.00 X ?? X 2.00	KOMATSU	SV6D170	6162232210, 6162252210 & 6162232110	ARCO # CLKO617001F & DIA # KMCL17001FT F
SLVF00298	FULLY FINISH SLEEVE 108.00 X 111.50 X 219.50 X 120.00 X 5.00 X 1.00 (KOMATSU 6D108) FULLY BLACK FINISH	KOMATSU	6D108	6222232210, 6222212110, 6222232231	ARCO # CLK0610801F
AECO-NP-06987	FULLY FINISH SLEEVE 110.00 X 115.00 X 225.00 X 120.00 X 5.00 X 115.00 X 1.00 (KOMATSU S6D110)	KOMATSU	S6D110	6138212210 & 6138212220	ARCO # CLKO611001F & DIA # KMCS11001F/ FPF
SLVF00156	FULLY FINISH SLEEVE 95.00 X 98.00 X 180.00 X 104.00 X 4.00 (KOMATSU 4D95/S4D95,6D95/S6D95)	KOMATSU	4D95/S4D95, 6D95/S6D95	OEM # 6207212110	DIA # KMCS09501F
AECO-NP-06984	SEMI-FINISH SLEEVE 102.00 X 104.50 X 200.00 (KOMATSU S4D102, S6D102)	KOMATSU	S4D102, S6D102	6736292110	ARCO # CLK0410201P & CLK0610201P

Item Code	Description	Engine	Model	O.E.M. No	Reference No
A011K13820000N	AIR COOLED CYLINDER BLOCK (PLAIN BORE) KUBOTA ET-500 (DIA.-52.00MM) 2 PORT	KUBOTA	ET-500		
C411K13020000N	CYLINDER LINER (PLAIN BORE) KUBOTA 2T-212 (L-2600) DIA.-82.00MM	KUBOTA	2T-212 (L-2600)		
C411K13040000N	CYLINDER LINER (PLAIN BORE) KUBOTA 5T-108 (L-2000) DIA.-76.00MM	KUBOTA	5T-108 (L-2000)		
C411K13050000N	CYLINDER LINER (PLAIN BORE) KUBOTA 6 MG (DIA.-145.00MM)	KUBOTA	6 MG		
AECO-NP-06200	CYLINDER LINER (PLAIN BORE) KUBOTA AR160, AS160 (125.00 X 143.00 X 210.00 X 149.00 X 12.10)	KUBOTA	AR160, AS160		CENTRIFUGAL # UCO3109
AECO-NP-06197	CYLINDER LINER (PLAIN BORE) KUBOTA AR90, AS90 (95.00 X 119.00 X 198.00 X 125.00 X 10.10)	KUBOTA	AR90, AS90		CENTRIFUGAL # UCO3110
C411K13070000N	CYLINDER LINER (PLAIN BORE) KUBOTA E60 (DIA.-75.00MM)	KUBOTA	E60	OEM # 1497102310	
C411K13A60000Y	CYLINDER LINER (PLAIN BORE) KUBOTA E75 (7 HP) DIA.-77.00MM	KUBOTA	E75 (7 H.P.)	OEM # 1428602310	
C411K13090000N	CYLINDER LINER (PLAIN BORE) KUBOTA ER-100 (DIA-110.00MM)	KUBOTA	ER-100		
C411K13100000N	CYLINDER LINER (PLAIN BORE) KUBOTA ER-1500 (DIA-110.00MM)	KUBOTA	ER-1500		
C411K13120000N	CYLINDER LINER (PLAIN BORE) KUBOTA ER-22,ER-2200,KND-0220 (DIA.-116.00MM)	KUBOTA	ER-22, ER-2200, KND-0220		
C411K13130000N	CYLINDER LINER (PLAIN BORE) KUBOTA ER-40 (DIA.-75.00MM)	KUBOTA	ER-40		
C411K13140036N	CYLINDER LINER (PLAIN BORE) KUBOTA ER-50 (DIA.-82.00MM) OLD MODEL	KUBOTA	ER-50		

Item Code	Description	Engine	Model	O.E.M. No	Reference No
C411K13170000N	CYLINDER LINER (PLAIN BORE) KUBOTA ER-65 (DIA.-90.00MM)	KUBOTA	ER-65		
C411K13180000N	CYLINDER LINER (PLAIN BORE) KUBOTA ER-80 (DIA.-100.00MM)	KUBOTA	ER-80		
C411K13200000N	CYLINDER LINER (PLAIN BORE) KUBOTA ET-110,ER-900,KND-105 (DIA.-92.00MM)	KUBOTA	ET-110 / ER-900 / KND-105		
AE13357	CYLINDER LINER (PLAIN BORE) KUBOTA ET-120 (DIA.-94.00MM)	KUBOTA	ET-120		
C411K13230000N	CYLINDER LINER (PLAIN BORE) KUBOTA ET-70/KND-70A/75; ER-600 (DIA.-78.00MM)	KUBOTA	ET-70 / ER-600 / KND-70A / 75		
C411K13240000N	CYLINDER LINER (PLAIN BORE) KUBOTA ET-80/KND-80 (DIA.-84.00MM)	KUBOTA	ET-80 / KND-80		
C411K13250000N	CYLINDER LINER (PLAIN BORE) KUBOTA ET-95 (DIA.-86.00MM)	KUBOTA	ET-95		
C411K13780000N	CYLINDER LINER (PLAIN BORE) KUBOTA EV2400,ER-22,ER-2200,KND-2200 (DIA.-116.00MM)	KUBOTA	EV2400, ER-22, ER-2200, KND-2200	OEM # 1110001102 000	
C411K13770000N	CYLINDER LINER (PLAIN BORE) KUBOTA EV2600,ER-25,ER-2500,KND-250 (DIA.-118.00MM)	KUBOTA	EV2600, ER-25, ER-2500, KND-250	OEM # 1150001102 000	
C411K13310000N	CYLINDER LINER (PLAIN BORE) KUBOTA GA-100 (DIA.-90.00MM)	KUBOTA	GA-100		
C411K13320000N	CYLINDER LINER (PLAIN BORE) KUBOTA GA-120 (DIA.-75.00MM)	KUBOTA	GA-120		
C411K13330000N	CYLINDER LINER (PLAIN BORE) KUBOTA GA-70 (DIA.-75.00MM) REGULAR	KUBOTA	GA-70		
C411K13280000N	CYLINDER LINER (PLAIN BORE) KUBOTA GA-80 (DIA.-82.00MM)	KUBOTA	GA-80		

Item Code	Description	Engine	Model	O.E.M. No	Reference No
C411K13480000N	CYLINDER LINER (PLAIN BORE) KUBOTA KND-250/ER-25 (DIA.- 118.00MM)	KUBOTA	KND-250/ER- 25		
C411K13490000N	CYLINDER LINER (PLAIN BORE) KUBOTA KND-2800 (DIA.- 142.00MM)	KUBOTA	KND-2800		
C411K13500000N	CYLINDER LINER (PLAIN BORE) KUBOTA KND-3 (DIA.-68.00MM)	KUBOTA	KND-3		
C411K13370000N	CYLINDER LINER (PLAIN BORE) KUBOTA KND-3200 (DIA.- 150.00MM)	KUBOTA	KND-3200	*	
C411K13390000N	CYLINDER LINER (PLAIN BORE) KUBOTA KND-40 (DIA.- 75.00MM)	KUBOTA	KND-40		
C411K13520000N	CYLINDER LINER (PLAIN BORE) KUBOTA KND-5.5 (DIA.- 85.00MM)	KUBOTA	KND-5.5		
C411K13530000N	CYLINDER LINER (PLAIN BORE) KUBOTA KND-5B (DIA.- 80.00MM)	KUBOTA	KND-5B		
C411K13410000N	CYLINDER LINER (PLAIN BORE) KUBOTA KND-70/ER-70/ER-75 (DIA-90.00MM)	KUBOTA	KND-70/ER- 70/ER-75		
C411K13440000N	CYLINDER LINER (PLAIN BORE) KUBOTA KND-90/ER-90 (DIA.- 95.00MM)	KUBOTA	KND-90/ER- 90		
C411K13430000Y	CYLINDER LINER (PLAIN BORE) KUBOTA KND-90A/KND-95 (DIA.- 86.00MM)	KUBOTA	KND- 90A/KND-95		
C411K13650000N	CYLINDER LINER (PLAIN BORE) KUBOTA RD-105 (DIA.- 92.00MM)	KUBOTA	RD-105		
C411K13660000N	CYLINDER LINER (PLAIN BORE) KUBOTA RD-155 (DIA.- 94.00MM)	KUBOTA	RD-155		
C411K13670000N	CYLINDER LINER (PLAIN BORE) KUBOTA RD-45/RK-50 (DIA.- 72.00MM)	KUBOTA	RD-45/RK-50	OEM #=11111- 02310	
C411K13680000N	CYLINDER LINER (PLAIN BORE) KUBOTA RD-55/RK-60 (DIA.- 76.00MM)	KUBOTA	RD-55/RK-60	OEM #=11121- 02310	

Item Code	Description	Engine	Model	O.E.M. No	Reference No
C411K13690000N	CYLINDER LINER (PLAIN BORE) KUBOTA RD-65/RK-70 (DIA.- 80.00MM)	KUBOTA	RD-65/RK-70	OEM # 1113102310	
C411K13700000N	CYLINDER LINER (PLAIN BORE) KUBOTA RD-75/RK-80 (DIA.- 82.00MM)	KUBOTA	RD-75/RK-80	OEM # 1114102310	
C411K13710000N	CYLINDER LINER (PLAIN BORE) KUBOTA RD-85/RK-95 (DIA.- 86.00MM)	KUBOTA	RD-85/RK-95	OEM #=11151- 02310	
C411K13720000N	CYLINDER LINER (PLAIN BORE) KUBOTA RK-105 (DIA.-88.00MM)	KUBOTA	RK-105	OEM # 11161- 02310	
C411K13730000N	CYLINDER LINER (PLAIN BORE) KUBOTA RK-125,ET-115 (DIA.- 94.00MM)	KUBOTA	RK-125, ET- 115		
AE12707	CYLINDER LINER (PLAIN BORE) KUBOTA RT-140 (DIA.-97.00MM)	KUBOTA	RT-140		
C411K13A00000N	CYLINDER LINER (PLAIN BORE) KUBOTA RV105 (DIA.-88.00MM)	KUBOTA	RV105		
C411K13740000N	CYLINDER LINER (PLAIN BORE) KUBOTA RV125-2 (DIA.- 94.00MM)	KUBOTA	RV125-2	OEM # 1090001102 000	VIKY DWG # RV12501102
C411K13790000N	CYLINDER LINER (PLAIN BORE) KUBOTA RV145-2 (DIA.- 100.00MM)	KUBOTA	RV145		
C411K13850000N	CYLINDER LINER (PLAIN BORE) KUBOTA RV165,RV195 (DIA.- 110.00MM)	KUBOTA	RV165, RV195		
C411K13800000N	CYLINDER LINER (PLAIN BORE) KUBOTA RV165-2 (DIA.- 105.00MM)	KUBOTA	RV165-2		
C411K13870000Y	CYLINDER LINER (PLAIN BORE) KUBOTA RV320 (DIA.- 120.00MM)	KUBOTA	RV320		
C411K13870064N	CYLINDER LINER (PLAIN BORE) KUBOTA RV320,RV325 (VIKY) DIA.-120.00MM	KUBOTA	RV320, RV325	OEM # 1450001102 000	
C411K13950000N	CYLINDER LINER (PLAIN BORE) KUBOTA RV50 (DIA.-72.00MM)	KUBOTA	RV50		

Item Code	Description	Engine	Model	O.E.M. No	Reference No
C411K13970000N	CYLINDER LINER (PLAIN BORE) KUBOTA RV60 (DIA.-76.00MM)	KUBOTA	RV60		
C411K13980000N	CYLINDER LINER (PLAIN BORE) KUBOTA RV70 (DIA.-80.00MM)	KUBOTA	RV70		
C411K13960000N	CYLINDER LINER (PLAIN BORE) KUBOTA RV80 (DIA.-82.00MM)	KUBOTA	RV80		
C411K13990000N	CYLINDER LINER (PLAIN BORE) KUBOTA RV95 (DIA.-86.00MM)	KUBOTA	RV95		
AECO-NP-06199	CYLINDER LINER(PLAIN BORE)KUBOTA AR100,AS100,T8,T12,TR12(105.00x119.00x198.00x125.00x10.10)	KUBOTA	AR100, AS100, T8, T12, TR12		CENTRIFUGAL # UCO3108
AECO-NP-06198	CYLINDER LINER(PLAIN BORE)KUBOTA AR140,AS140,T14,TR14(115.00x133.00x210.00x139.00x12.10)	KUBOTA	AR140, AS140, T14, TR14		CENTRIFUGAL # UCO3107
SLVF00060	FULLY FINISH SLEEVE 90.48 X 94.50 X 191.36 (LANDROVER 109)	LANDROVER	109		
SLVS01115	SEMI-FINISH SLEEVE 90.475 X 94.501 X 191.364 (LANDROVER 109)	LANDROVER	109	OEM # 88692190, 201WV03	
SLVS01122	SEMI-FINISH SLEEVE 90.49 X 94.52 X 191.50 X 99.70 X 4.76 (LANDROVER)	LANDROVER	-	OEM # 1402471000	ARCO # CLLR409052S
AECO-NP-06375	CYLINDER LINER (PLAIN BORE) LEYLAND (98.00 X 111.13 X 221.60 X 117.06 X 8.89 X 108.19)	LEYLAND			FADECYA # UCO0980
SLVF00161	FULLY FINISH SLEEVE 107.226 X 111.30 X 239.57 X 112.70 X 5.38 (LEYLAND 401,402)	LEYLAND	401, 402		AE # RSL56704
SLVF00182	FULLY FINISH SLEEVE 107.226 X 111.326 X 239.573 X 112.700 X 4.356 X 111.30 X 1.016 (LEYLAND 400)	LEYLAND	400		AE # SJ4948402

Item Code	Description	Engine	Model	O.E.M. No	Reference No
SLVF00050	FULLY FINISH SLEEVE 127.015 X 133.096 X 288.290 X 139.116 X 7.645 (H/C BORE) LEYLAND 680	LEYLAND	680	OEM # CL3005PC	AE # KC5000FL
SLVF00113	FULLY FINISH SLEEVE 127.015 X 133.104 X 288.290 X 138.811 X 7.658 (PLAIN BORE) LEYLAND 680	LEYLAND	680	OEM # CL599P	AE # HJ221501 & SJ221502
SLVF00115	FULLY FINISH SLEEVE 127.028 X 133.142 X 289.433 (H/C BORE) LEYLAND TL-11	LEYLAND	TL-11	OEM # NAJ3804 & 1280CWSM	AE # HJ351197V1 & KJ351220
SLVF00162	FULLY FINISH SLEEVE 98.00 X 108.18 X 221.54 X 117.09 X 8.89 (LEYLAND BOXER)	LEYLAND	BOXER		AE # RSL56745
A011L07170000N	AIR COOLED CYLINDER BLOCK (PLAIN BORE) LISTER LT (DIA.-82.55MM)	LISTER	LT	OEM # 60130271	
C411L07020000N	CYLINDER LINER (PLAIN BORE) LISTER 10/1 (10 HP) DIA.-120.00MM	LISTER	10/1 (10 H.P.)		
C411L07290000N	CYLINDER LINER (PLAIN BORE) LISTER 12 HP (1 CYL) DIA.-127.00MM	LISTER	12 H.P.		
C411L07010000N	CYLINDER LINER (PLAIN BORE) LISTER 6/1 (6 HP),8/1 (8 HP) OR RUSTON VSH (DIA.-114.30MM)	LISTER	6/1 (6 H.P.), 8/1 (8 H.P.)		
C411L07060000N	CYLINDER LINER (PLAIN BORE) LISTER 9/1 & JP (DIA.-114.30MM)	LISTER	9/1 & JP		
C411L07070000N	CYLINDER LINER (PLAIN BORE) LISTER CD,CE (DIA.-114.30MM)	LISTER	CD, CE		
C411L07090000N	CYLINDER LINER (PLAIN BORE) LISTER FR (DIA.-95.25MM)	LISTER	FR		
A011L08030000N	AIR COOLED CYLINDER BLOCK (PLAIN BORE) LOMBARDINI LDA 325 (520/522/523) DIA.-78.00MM	LOMBARDINI	LDA 325 (520/522/523)		
C411M02050000N	CYLINDER LINER (PLAIN BORE) MACK E7-350 (DIA.-123.825MM)	MACK	E7-350	OEM # 509GC463	CENTRIFUGAL # UCO6142

Item Code	Description	Engine	Model	O.E.M. No	Reference No
SLVF00037	FULLY FINISH SLEEVE 123.825 X 129.41 X 283.35 X 136.00 X 5.08 X 129.41 X 0.86 (MACK 672,675)	MACK	672, 675	OEM # 509GC284AP (STD)	
SLVF00093	FULLY FINISH SLEEVE 123.825 X 129.410 X 277.825 X 135.915 X 4.850 X 129.410 X 0.762 (MACK E7-350) ESL-8288	MACK	E7-350	OEM # 5094C463	
C411M03000000N	CYLINDER LINER (PLAIN BORE) MAHINDRA (DIA.-94.00MM)	MAHINDRA	-		
C411M04010000N	CYLINDER LINER (PLAIN BORE) MAN 17.5/22A (DIA.-175.00MM)	MAN	17.5/22A		
C411M04110013N	CYLINDER LINER (PLAIN BORE) MAN D2555,D2556,D2565,D2566 (DIA.-125.00MM) BLACK BODY	MAN	D2555, D2556, D2565, D2566	OEM # 5101201029 6	KS # 89056110 MAHLE # 227WN32 AE # SJ351188V1 & BF # 20040225660
C411M04130000N	CYLINDER LINER (PLAIN BORE) MAN D2865,D2866,D2876 (DIA.-128.00MM)	MAN	D2865, D2866, D2876	OEM # 5101201030 9	KS # 89186110 MAHLE # 227WN37 & BF # 20040228660
AECO-NP-06209	CYLINDER LINER (PLAIN BORE) MAN D2876 (128.00 X 144.50 X 253.00 X 153.80 X 10.05) BLACK BODY	MAN	D2876		CENTRIFUGAL # UCO4524
C411M04150000N	CYLINDER LINER (PLAIN BORE) MAN D3256 (DIA.-132.00MM)	MAN	D3256	8801201001 8, 8801201002 4, 8801201002 7, 8801201002 8, 8801201020 0, 8801201620 3	KS # 88674114

Item Code	Description	Engine	Model	O.E.M. No	Reference No
AECO-NP-06210	CYLINDER LINER(PLAIN BORE)MAN D2848,D2858,D2840,D2842(128.00x144.50x253.00x153.80x10.05)CHROME BODY	MAN	D2848, D2858, D2840, D2842		CENTRIFUGAL # UCO4929
SLVF00178	FULLY FINISH SLEEVE 108.00 X 111.49 X 217.00 X 116.00 X 4.04 (MAN D0824,D0826,D0834,D0836)	MAN	D0824, D0826, D0834, D0836	5101201037 8, 5101201038 6 & 4792	KS # 89470110 MAHLE # 227WT39 & BF # 20040208261
SLVF00157	FULLY FINISH SLEEVE 108.00 X 111.99 X 217.00 X 116.00 X 4.04 (MAN D0824,D0826)	MAN	D0824, D0826	OEM # 5101201037 9 & 4616	KS # 89453110 MAHLE # 227WT49 & BF # 20040208262
AECO-NP-06961	FULLY FINISH SLEEVE 108.00 X 112.99 X 254.00 X 118.00 X 5.00 (MAN D-0846)	MAN	D-0846	5.1012E+10	MAHLE # 227WT09
SLVS04987	SEMI-FINISH SLEEVE 121.00 X 125.99 X 287.00 X 132.00 X 8.00 (MAN D2156)	MAN	D2156	5000246583	MAHLE # 227WT15
AECO-NP-06205	SEMI-FINISH SLEEVE 86.00 X 92.00 X 215.00 (MAN D8613M)	MAN	D8613M		CENTRIFUGAL # AL4796
SLVS02259	SEMI-FINISH SLEEVE 81.00 X 85.00 X 158.70 (MARUTI 800 CC)	MARUTI	800		
SLVF00099	FULLY FINISH SLEEVE 100.00 X 104.21 X 227.40 X 107.33 X 3.80 (PERKINS PHASER 1006.6/1006.6T)	MASSEY FERGUSON \ PERKINS	PHASER 1006.6/1006. 6T	OEM # 3135X062 & 4222128M1	BEPCO # 30/35-173
SLVF00002	FULLY FINISH SLEEVE 100.000 X 104.230 X 226.440 X 107.442 X 3.861 (PERKINS PHASER 4.40/6.60 (1000 SERIES)	MASSEY FERGUSON \ PERKINS	PHASER 4.40/6.60	OEM # 3135X042 & 748216M1	AE # SJ351306 & BEPCO # 30/35-108
SLVF00005	FULLY FINISH SLEEVE 101.054 X 104.203 X 227.279 X 107.442 X 3.861 X 104.00 X 0.838(PERKINS 4.248)	MASSEY FERGUSON \ PERKINS	4.248	31358342, 31358352 & 742466M1	MAHLE # 043WV20 AE # SJ351166 FADECYA # UCO1017 & BEPCO # 30/35-15

Item Code	Description	Engine	Model	O.E.M. No	Reference No
SLVF00098	FULLY FINISH SLEEVE 114.313 X 117.881 X 230.784 X 121.133 X 2.718 (PERKINS 4.318)	MASSEY FERGUSON \ PERKINS	4.318	31358522, 31358534 & 745991M1	AE # SJ351192 & BEPCO # 30/35-21
SLVF00184	FULLY FINISH SLEEVE 88.92x93.71x216.03x94.41x4.76 (PERKINS P-3.144/4.192/6.288 OR IMT-533,	MASSEY FERGUSON \ PERKINS	P- 3.144/4.192/ 6.288 OR IMT- 533,	OEM # 0530017	BEPCO # 30/35-3
SLVF00062	FULLY FINISH SLEEVE 91.491 X 93.663 X 216.027 X 96.723 X 3.810(PERKINS 3.152/4.203/6.305)	MASSEY FERGUSON \ PERKINS	3.152/4.203/ 6.305	31358322, 31358345, 31358382, 734175M1 & 739043M1	AE # SJ546900 & BEPCO # 30/35-7
SLVF00076	FULLY FINISH SLEEVE 98.476 X 103.188 X 227.279 X 106.451 X 3.861 X 103.00 X 0.889 (PERKINS 4.212/4.236/6.354)	MASSEY FERGUSON \ PERKINS	4.212/4.236/ 6.354	OEM # 31358394 & 744948M1	AE # SJ351150 FADECYA # UCO0407 & BEPCO # 30/35-14
SLVF00075	FULLY FINISH SLEEVE 98.476 X 103.190 X 227.279 X 106.451 X 3.708 X 103.000 X 1.041 (PERKINS 4.212/4.236/6.354)	MASSEY FERGUSON \ PERKINS	4.212/4.236/ 6.354	OEM # 31358341 & 31358441	AE # SJ584201
SLVF00078	FULLY FINISH SLEEVE 98.476 X 103.264 X 228.981 (PERKINS 4.236 OR IMT-577,S-44,S-46)	MASSEY FERGUSON \ PERKINS	4.236		AE # SJ538101
SLVF00080	FULLY FINISH SLEEVE 98.476 X 104.20 X 226.44 X 107.37 X 3.81(PERKINS 4.236)	MASSEY FERGUSON \ PERKINS	4.236	OEM # 3135X032 & 3637332M1	BEPCO # 30/35-22
SLVS00026	SEMI-FINISH SLEEVE 100.00 X 104.20 X 226.50 X 107.40 X 3.85 (PERKINS 1004.4T, MASSEY FERGUSON 3075, 4245, 6130, 6150)	MASSEY FERGUSON \ PERKINS	1004.4T, 3075, 4245, 6130, 6150	3135X041, 70530022 & 748215M1	AE # SU351306 FADECYA # UC1446 & BEPCO # 30/36-108
SLVS02626	SEMI-FINISH SLEEVE 100.00 X 104.23 X 227.00 X 107.44 X 3.87 X 104.00 X 1.12 (PERKINS PHASER 1004.40/1004.40T/1006.60/1006.60T)	MASSEY FERGUSON \ PERKINS	5640, 6640, 7840, 8240, 8340, 8640, 8770, 8870, 8970	293041A1, 3135X063 & 4222129M1	EMMARK # EM7017 KOLBEN # 89527190 MAHLE # 043WV42 & BEPCO # 30/36-173

Item Code	Description	Engine	Model	O.E.M. No	Reference No
SLVS02023	SEMI-FINISH SLEEVE 100.00 X 104.26 X 227.40 X 107.33 X 3.80 (PERKINS PHASER 1006.6/1006.6T)	MASSEY FERGUSON \ PERKINS	PHASER 1006.6/1006.6T	OEM # 3135X061	
SLVS01942	SEMI-FINISH SLEEVE 101.05 X 104.20 X 226.44 X 107.37 X 3.81 (PERKINS A4.248)	MASSEY FERGUSON \ PERKINS	4.248	OEM # 3135X033 & 3637333M1	BEPCO # 30/36-23
SLVS00039	SEMI-FINISH SLEEVE 101.054 X 103.264 X 223.901 (PERKINS 4.248 OR IMT-577,S-44A/I) SRB	MASSEY FERGUSON \ PERKINS	4.248	31358343, 31358344 & 737214M1	AE # SU351026 & BEPCO # 30/36-13
SLVS00041	SEMI-FINISH SLEEVE 101.054x104.254x227.279x107.442x3.861x104.000x0.762(PERKINS 4.248)	MASSEY FERGUSON \ PERKINS	4.248	31358346, 31358391 & 740571M1	AE # SU351078 & BEPCO # 30/36-15
SLVS03633	SEMI-FINISH SLEEVE 101.054x104.35x227.28x107.44x3.80x104.35x0.90(PERKINS 4.248,6.372)	MASSEY FERGUSON \ PERKINS	4.248, 6.37		AE # SU351519 & GOETZE # 1404114000
SLVS00242	SEMI-FINISH SLEEVE 114.313 X 117.932 X 230.784 X 121.133 X 2.718 (PERKINS 4.318)	MASSEY FERGUSON \ PERKINS	4.318	31358518, 31358521, 31358533 & 745990M1	AE # SU351193 & BEPCO # 30/36-21
SLVS01029	SEMI-FINISH SLEEVE 88.925 X 93.713 X 216.027 X 94.407 X 4.762 (PERKINS P-3.144/4.192/6.288 OR IMT-533,P-033) SRB	MASSEY FERGUSON \ PERKINS	P-3.144/4.192/6.288	0530002, 957E6055 & 731595M1	AE # SU8900 & BEPCO # 30/36-3
AECO-NP-06238	SEMI-FINISH SLEEVE 88.93 X 93.74 X 215.90 X 94.40 X 4.71 (PERKINS P3.144, P4.192, P6.288)	MASSEY FERGUSON \ PERKINS	P3.144, P4.192, P6.288		CENTRIFUGAL # UC441
AECO-NP-06425	SEMI-FINISH SLEEVE 91.49 X 94.09 X 214.80 X 97.84 X 2.70 (PERKINS)	MASSEY FERGUSON \ PERKINS	-	8324	FADECYA # UC1403
AECO-NP-06422	SEMI-FINISH SLEEVE 91.49 X 95.47 X 215.90 X 97.40 X 4.76 (PERKINS 3.152, 4.203, 6.305)	MASSEY FERGUSON \ PERKINS	3.152, 4.203, 6.305	008193/B	FADECYA # UC0862
AECO-NP-06423	SEMI-FINISH SLEEVE 91.49 X 96.98 X 215.90 X 97.80 X 4.76 (PERKINS 3.152, 4.203, 6.305)	MASSEY FERGUSON \ PERKINS	3.152, 4.203, 6.305	008193/C	FADECYA # UC0750

Item Code	Description	Engine	Model	O.E.M. No	Reference No
AECO-NP-06424	SEMI-FINISH SLEEVE 91.49 X 96.98 X 215.90 X 98.57 X 4.76 (PERKINS 3.152, 4.203, 6.305)	MASSEY FERGUSON \\ PERKINS	3.152, 4.203, 6.305		FADECYA # UC1252
SLVS01184	SEMI-FINISH SLEEVE 91.491 X 93.730 X 216.027 X 96.723 X 3.810 (PERKINS 3.152/4.203/6.305 OR IMT)	MASSEY FERGUSON \\ PERKINS	3.152/4.203/ 6.305	31358323, 31358381 & 734179M1	AE # SU530201 RSE65709 GOETZE # 1402367000 & BEPCO # 30/36-7
SLVS01185	SEMI-FINISH SLEEVE 91.491 X 93.764 X 215.900 (PERKINS 3.152/4.203/6.305)	MASSEY FERGUSON \\ PERKINS	3.152/4.203/ 6.305	OEM # 31358356	AE # SU628201
SLVS01469	SEMI-FINISH SLEEVE 98.476 X 103.238 X 227.279 X 106.229 X 3.861 X 103.000 X 0.889 (PERKINS T6.354 (TURBO))	MASSEY FERGUSON \\ PERKINS	T6.354	31358393, 31358349, 31358361 & 744131M1	AE # SU351178 FADECYA # UC0407 & BEPCO # 30/36-14
SLVS01470	SEMI-FINISH SLEEVE 98.476 X 103.238 X 227.279 X 106.426 X 3.708 X 103.000 X 1.041 (PERKINS 4.212/4.236/6.354)	MASSEY FERGUSON \\ PERKINS	4.212/4.236/ 6.354	OEM # 31358339	AE # SU569200
SLVS01471	SEMI-FINISH SLEEVE 98.476 X 103.264 X 228.981 (PERKINS 4.236 OR IMT-577,S-44,S-46) SRB & RDY	MASSEY FERGUSON \\ PERKINS	4.236	31358324, 31358348 & 734644M1	AE # SU538101 & BEPCO # 30/36-18
SLVS02954	SEMI-FINISH SLEEVE 98.476 X 105.075 X 227.500 X 108.000 X 4.000 X 105.000 X 1.000 (PERKINS)	MASSEY FERGUSON \\ PERKINS	4.236		
SLVS01524	SEMI-FINISH SLEEVE 98.48 X 104.20 X 226.44 X 107.37 X 3.81 (PERKINS 4.236 OR IMT)	MASSEY FERGUSON \\ PERKINS	4.236	3135X031, 3637031M1 & 3637331M1	BEPCO # 30/36-22 CENTRIFUGAL # UC4956 & FADECYA # UC1359
SLVS02792	SEMI-FINISH SLEEVE 90.48 X 94.20 X 190.00 X 95.60 X 4.80 (MAXION 2.5 DIESEL)	MAXION	2.5 DIESEL		
AECO-NP-06380	SEMI-FINISH SLEEVE 90.48 X 95.24 X 188.00 X 96.83 X 4.76 (MAXION HS 2.5L)	MAXION	HS 2.5L	70530029/1	FADECYA # A1888

Item Code	Description	Engine	Model	O.E.M. No	Reference No
SLVS03996	SEMI-FINISH SLEEVE 90.74 X 95.50 X 188.00 X 97.09 X 4.76 (MAXION 2.5L) STD	MAXION	2.5	OEM # 70530029/2	FADECYA # A1889
AECO-NP-06382	SEMI-FINISH SLEEVE 96.00 X 100.76 X 185.00 X 102.35 X 4.76 (MAXION NGD 3, OL 16v)	MAXION	NGD 3, OL 16v		FADECYA # A2138
AECO-NP-06507	CYLINDER LINER (PLAIN BORE) MAZDA PB (68.00 X 77.00 X 125.00 X 88.00 X 8.50)	MAZDA	PB	24910311	ARCO # CLMA406801F
AECO-NP-06508	CYLINDER LINER (PLAIN BORE) MAZDA TB (70.00 X 77.00 X 132.00 X 88.00 X 8.50)	MAZDA	TB	026810311 & 027123206	ARCO # CLMA407001F
AECO-NP-06509	CYLINDER LINER (PLAIN BORE) MAZDA UA (75.00 X 86.50 X 147.50 X 94.00 X 9.00)	MAZDA	UA	60410311	ARCO # CLMA407501F
C411M09290000N	CYLINDER LINER (PLAIN BORE) MAZDA VA,E2000 (DIA.- 82.00MM)	MAZDA	VA, E2000	OEM # 055210311 & 055210311A	DIA # MZCL08201F & ARCO # CLMA408201F
SLVF00001	FULLY FINISH SLEEVE 100.000 X 103.502 X 193.700 X 108.000 X 2.500 X 102.500 X 1.000 (MAZDA SL,E3500,T45 OR KIA K3500) FULLY BLACK FINISH (EXTRA SMOOTH)	MAZDA	SL,E3500,T45	SL0123311, SL0123312, SL0123313 & SL0723051	DIA # MZCS10001F-PF & ARCO # CLMA410001F
SLVF00013	FULLY FINISH SLEEVE 105.50 X 109.00 X 200.00 X 114.50 X 6.00 X 109.00 X 1.00 (MAZDA TF, T4000) FULLY BLACK FINISH	MAZDA	TF, T4000	TFY010311, TFY010311A, TFY010311B & TFY010313	DIA # MZCS10551F-PF & ARCO # CLMA410551F
SLVF00155	FULLY FINISH SLEEVE 109.00 X 112.50 X 202.50 X 118.00 X 6.00 X 112.50 X 1.00 (MAZDA TM) FULLY BLACK FINISH	MAZDA	TM	OEM # TMY010311 & TMY010313	ARCO # CLMA410901F
SLVF00057	FULLY FINISH SLEEVE 86.00 X 89.00 X 165.00 X 94.00 X 4.00 (MAZDA R2) NEW	MAZDA	R2	R20123200, R20123051 & RF0110311	FMX PART & ARCO # CLMA408601F

Item Code	Description	Engine	Model	O.E.M. No	Reference No
AECO-NP-06532	FULLY FINISH SLEEVE 88.90 X 96.90 X 167.50 X 101.00 X 3.80 X 96.90 X 1.00 (MAZDA S2 E2200)	MAZDA	S2 E2200	145623051	ARCO # CLMA408892F
SLVF00085	FULLY FINISH SLEEVE 88.90 X 96.90 X 191.00 X 101.00 X 3.80 X 96.90 X 1.00 (MAZDA XA,E2500,T2500)	MAZDA	XA, E2500, T2500	OEM # 063610311 & S50123051	DIA # MZCS08891F & ARCO # CLMA408891F
SLVF00070	FULLY FINISH SLEEVE 95.00 X 98.50 X 191.00 X 103.50 X 3.80 X 98.50 X 0.80 (MAZDA HA,E3000)	MAZDA	HA, E3000	OEM # 136323051	DIA # MZCS09501F
AECO-NP-06516	SEMI-FINIASH SLEEVE 79.00 X 83.00 X 144.00 X 87.00 X 2.00 (MAZDA 323 1.7TD)	MAZDA	323 (1.7TD)		ARCO # CLMA407901S
SLVS03683	SEMI-FINISH SLEEVE 100.000 X 103.754 X 193.700 X 108.000 X 2.500 X 103.000 X 1.000 (MAZDA SL,E3500 OR KIA K3500)	MAZDA	SL, E3500	SL0123311, SL0123312, SL0123313 & SL0723051 (0.010")	DIA # MZCS10001S & ARCO # CLMA410001S
AECO-NP-06515	SEMI-FINISH SLEEVE 78.00 X 82.00 X 157.00 X 86.00 X 2.00 (MAZDA PN)	MAZDA	PN	PN1111311	ARCO # CLMA407801S
SLVS00726	SEMI-FINISH SLEEVE 80.00 X 84.00 X 150.00 (MAZDA 929)	MAZDA	929		
SLVS00912	SEMI-FINISH SLEEVE 86.00 X 89.00 X 163.00 X 94.00 X 2.80 (MAZDA R2 (NEW))	MAZDA	R2 (NEW)	OEM # R2B610311 & R2B610313	DIA # MZCS08601S & ARCO # CLMA408602S
SLVS05173	SEMI-FINISH SLEEVE 86.00 X 89.00 X 165.00 X 94.00 X 4.00 (MAZDA R2) NEW	MAZDA	R2	R20123200, R20123051 & RF0110311	ARCO # CLMA408601S
AECO-NP-06530	SEMI-FINISH SLEEVE 86.00 X 90.00 X 163.00 (MAZDA R2 (NEW))	MAZDA	R2 (NEW)	R2B610311 & R2B610313	ARCO # CLMA408602P
AECO-NP-06531	SEMI-FINISH SLEEVE 88.90 X 96.90 X 167.50 X 101.00 X 3.80 X 96.90 X 1.00 (MAZDA S2 E2200)	MAZDA	S2 E2200	145623051	ARCO # CLMA408892S

Item Code	Description	Engine	Model	O.E.M. No	Reference No
SLVS01227	SEMI-FINISH SLEEVE 92.00 X 96.90 X 191.00 X 101.00 X 3.80 X 97.00 X 0.80 (MAZDA XB,ZB,E2700,T4100)	MAZDA	XB, ZB, E2700, T4100	052810311, 052723051 & V10123051	DIA # MZCS09201S CENTRIFUGAL # UC4580 & ARCO # CLMA409201S
SLVS01253	SEMI-FINISH SLEEVE 93.000 X 96.802 X 167.500 X 102.200 X 2.500 X 96.800 X 0.500 (MAZDA WL)	MAZDA	WL	WL0110311, WL0123051, OVN0110311, VN0110311 & WLY323051	ARCO # CLMA409301S FADECYA # UC2085 & CENTRIFUGAL # UC4583
AECO-NP-06533	SEMI-FINISH SLEEVE 94.50 X 97.47 X 166.00 X 104.20 X 3.85 X 97.47 X 0.50 (MAZDA JS (K2700))	MAZDA	JS (K-2700)		ARCO # CLMA409451S
SLVS04978	SEMI-FINISH SLEEVE 95.00 X 98.50 X 189.00 X 103.50 X 3.80 X 98.50 X 0.80 (MAZDA HA, T3000)	MAZDA	HA, T3000	OEM # SE0123051	ARCO # CLMA409501S
A011M12130000N	AIR COOLED CYLINDER BLOCK (PLAIN BORE) MERCEDES OM 352 (A/C) COMPRESSOR (DIA.-94.00MM)	MERCEDES	OM 352	OEM # 3521303802	
A011M12160000Y	AIR COOLED CYLINDER BLOCK (PLAIN BORE) MERCEDES OM 355 (A/C) COMPRESSOR (DIA.-90.00MM)	MERCEDES	OM 355		
A011M12500000N	AIR COOLED CYLINDER BLOCK (PLAIN BORE) MERCEDES OM 401,OM 402,OM 403,OM 404,OM 407,OM 409,OM 421; MAN-D2556 (A/C COMP.) DIA.-90.00MM	MERCEDES	OM 401, OM 402, OM 403, OM 404, OM 407, OM 409, OM 421	OEM # 4031300008 & 4421300008	KS # 89196110 & MAHLE # 004WR06
A011M12530000Y	AIR COOLED CYLINDER BLOCK (PLAIN BORE) MERCEDES OM 401,OM 402,OM 441,OM 442,OM 443 (A/C) COMP. (DIA.-100.00MM)	MERCEDES	OM 401, OM 402, OM 441, OM 442, OM 443	OEM # 4421310102	MAHLE # 004WR17 KS # 89529110 & BF # 20040340010

Item Code	Description	Engine	Model	O.E.M. No	Reference No
A011M12560000Y	AIR COOLED CYLINDER BLOCK (PLAIN BORE) MERCEDES OM 501,OM 502,ACTROS (A/C) COMP. (DIA.-100.00MM)	MERCEDES	OM 501, OM 502, ACTROS (A/C) COMP.		BF # 20040350012 MAHLE # 004WR23 & KS # 89537110
C411M12280017N	CYLINDER LINER (PLAIN BORE) MERCEDES OM 401,OM 402,OM 403,OM 404 (DIA.-125.00MM) WHITE BODY	MERCEDES	OM 401, OM 402, OM 403, OM 404	OEM # 4030113210	MAHLE # 003WN14 KS # 89181110 FADECYA # UCO1500 & BF # 20040340300
C411M12340000N	CYLINDER LINER (PLAIN BORE) MERCEDES OM 407,OM 409 (ADE) DIA.-125.00MM	MERCEDES	OM 407, OM 409	4070111110, 4070111010 & 4070110910	MAHLE # 003WN16 KS # 89192110 FADECYA # UCO1499 & BF # 20040340700
C411M12350000N	CYLINDER LINER (PLAIN BORE) MERCEDES OM 407,OM 409 (ADE) DIA.-125.00MM (125.00 X 142.00 X 265.00 X 151.86 X 11.07)	MERCEDES	OM 407, OM 409		AE # RSL59703
C411M12360017N	CYLINDER LINER (PLAIN BORE) MERCEDES OM 421,OM 422,OM 423,OM 424,OM 441,OM 442,OM 443,OM 444 (DIA.-128.00MM) WHITE BODY	MERCEDES	OM 421, OM 422, OM 423, OM 424, OM 441, OM 442, OM 443, OM 444	4440110110 & 4440110210 *	MAHLE # 003WN25 KS # 89389110 BF # 20040342000 & CENTRIFUGAL # UCO4766
C411M12370000N	CYLINDER LINER (PLAIN BORE) MERCEDES OM 422,OM 442,OM 442A (DIA.-128.00MM)	MERCEDES	OM 422, OM 442, OM 442A		AE # RSL59742 & AE # SJ351340

Item Code	Description	Engine	Model	O.E.M. No	Reference No
C411M12400013N	CYLINDER LINER (PLAIN BORE) MERCEDES OM 441,OM 442,OM 443,OM 444 (DIA.-130.00MM) BLACK BODY	MERCEDES	OM 441, OM 442, OM 443, OM 444	OEM # 4420110310	MAHLE # 003WN23 KS # 89396110 FADECYA # UCO1399 & BF # 20040344000
C411M12610000Y	CYLINDER LINER(PLAIN BORE)MERCEDES OM 421,OM 422,OM 423,OM 424,OM 441,OM 442,OM 444(DIA.-128.00MM)	MERCEDES	OM 421, OM 422, OM 423, OM 424, OM 441, OM 442, OM 444	OEM # 4220110310 & 4230110210	MAHLE # 003WN15 KS # 89180110 FADECYA # UCO1498 & BF # 20040342001
AE13234	CYLINDER LINER(PLAIN BORE)MERCEDES OM 501 LA(DIA.-130.00MM)130.00 X 150.00 X 258.00 X 164.10 X 10.12 X ??? X 1.10	MERCEDES	OM 501 LA	5410110110, 5410110310, 5410110510, A5410110010, A5410110110, A5410110310 & A5410110510	MAHLE # 003WN30 003WN31 BF # 20040350101 & KOLBEN # 40289772677 03
AE13164	CYLINDER LINER(PLAIN BORE)MERCEDES-BENZ OM 457(128.00x144.45x266.00x155.50x10.10x145.75 x1.10)	MERCEDES	OM 457	4570110310, 4570110510, 4570110610, A4570110510, 4600110210, 4600110310 & 4600110010	FADECYA # UCO1324 AE # SJ351558 KOLBEN # 89563110 MAHLE # 001WN21 & PERFECT CIRCLE # 64004680
SLVF00033	FULLY FINISH SLEEVE 115.00 X 120.00 X 253.50 X 125.00 X 5.50 (MERCEDES OM 360)	MERCEDES	OM 360	OEM # 3600110010	KS # 89043190 MAHLE # 005WV03 & BF # 20040336000

Item Code	Description	Engine	Model	O.E.M. No	Reference No
SLVS02425	SEMI-FINISH SLEEVE 102.00 X 106.00 X 220.00 X 109.50 X 6.20 (MERCEDES OM 904,OM 906 LA (EURO-II))	MERCEDES	OM 904, OM 906 LA	OEM # 9060110110	FM AE & GOETZE # 1402861000 MAHLE # 004WN18 KS # 89513190 BF # 20040390400 FADECYA # UC2099
AECO-NP-06084	SEMI-FINISH SLEEVE 105.00 X 109.80 X 275.00 X 111.40 X 4.80 (MERCEDES-BENZ OM 325)	MERCEDES	OM 325		CENTRIFUGAL # A422
AECO-NP-06389	SEMI-FINISH SLEEVE 106.00 X 109.49 X 222.00 X 111.08 X 4.90 (MERCEDES-BENZ OM 924, OM 926)	MERCEDES	OM 924, OM 926		FADECYA # AE0595
AECO-NP-06978	SEMI-FINISH SLEEVE 128.00 X 133.50 X 287.50 X 137.50 X 5.50 (MERCEDES OM355)	MERCEDES	OM355	3550110710 & 3550110810	MAHLE # 003WV09
SLVS00284	SEMI-FINISH SLEEVE 128.00 X 133.70 X 287.50 X 137.50 X 5.50 (MERCEDES OM 355,OM 355A)	MERCEDES	OM 355,OM 355A	3550111010	MAHLE # 003WV27 KS # 89347190 & BF # 20040335505
AECO-NP-06092	SEMI-FINISH SLEEVE 128.00x133.55x287.40x137.40x 6.10(MERCEDES-BENZ OM 346,OM 355,OM 355A)	MERCEDES	OM 346, OM 355, OM 355A		CENTRIFUGAL # A987
AECO-NP-06383	SEMI-FINISH SLEEVE 75.00 X 79.76 X 190.00 X 81.35 X 4.76 (MERCEDES-BENZ OM 636)	MERCEDES	OM 636		FADECYA # A0041
AECO-NP-06063	SEMI-FINISH SLEEVE 75.00 X 79.80 X 110.00 X 81.40 X 4.80 (MERCEDES- BENZ OM 366, KNORR)	MERCEDES	OM 366		CENTRIFUGAL # A4612
AECO-NP-06065	SEMI-FINISH SLEEVE 77.00x81.00x89.30x82.60x4.90(MERCEDES-BENZ OM 321,OM 352)AIR COMPRESSOR	MERCEDES	OM 321, OM 352		CENTRIFUGAL # A1077

Item Code	Description	Engine	Model	O.E.M. No	Reference No
AECO-NP-06066	SEMI-FINISH SLEEVE 85.00 X 88.10 X 156.50 X 90.80 X 4.80 (MERCEDES-BENZ OM 621)	MERCEDES	OM 621		CENTRIFUGAL # A1572
SLVS00957	SEMI-FINISH SLEEVE 87.00 X 90.08 X 158.40 X 92.00 X 4.70 (MERCEDES OM 615 (200-220D))	MERCEDES	OM 615		FADECYA # UC1077
AECO-NP-06067	SEMI-FINISH SLEEVE 87.00x90.10x158.40x91.80x4.80 (MERCEDES-BENZ OM 601,OM 602,OM 603)BLAC K FINISH	MERCEDES	OM 601, OM 602, OM 603		CENTRIFUGAL # A1606
SLVS01527	SEMI-FINISH SLEEVE 89.00 X 91.50 X 156.50 X 94.05 X 4.70 (MERCEDES OM 601,OM 602,OM 603)	MERCEDES	OM 601,OM 602,OM 603	6010110310, K89456190 & M004WV14	MAHLE # 004WV14 KS # 89456190 FADECYA # UC215 BF # 20040360200 & ARCO # CLSY508901S
SLVS01030	SEMI-FINISH SLEEVE 89.00 X 91.56 X 156.50 X 96.52 X 4.74 (MERCEDES OM 602) 210310410	MERCEDES	OM 602		AE # SU351337
AECO-NP-06069	SEMI-FINISH SLEEVE 90.00x94.00x87.30(MERCEDES-BENZ OM 400,OM 401,OM 402,OM 403,OM 404,OM 407,OM 409,OM 421,OM 422,OM 423,OM 424,OM 442)	MERCEDES	OM 400, OM 401, OM 402, OM 403, OM 404, OM 407, OM 409, OM 421, OM 422, OM 423, OM 424, OM 442		CENTERIFUGAL # AL1078
AECO-NP-06976	SEMI-FINISH SLEEVE 90.90 X 94.00 X 158.40 X 96.00 X 4.70 (MERCEDES-BENZ OM 616, OM 617)	MERCEDES	OM 616, OM 617	6160010310	MAHLE # 001WV04

Item Code	Description	Engine	Model	O.E.M. No	Reference No
AECO-NP-06074	SEMI-FINISH SLEEVE 94.00x98.00x83.00x99.60x4.80(MERCEDES-BENZ OM 314,OM 352,OM 364,OM 366)	MERCEDES	OM 314, OM 352, OM 364, OM 366		CENTRIFUGAL # A1074
AECO-NP-06075	SEMI-FINISH SLEEVE 95.00 X 100.00 X 215.00 X 101.60 X 6.00 (MERCEDES-BENZ OM 312, OM 321)	MERCEDES	OM 312, OM 321		CENTRIFUGAL # A423
SLVS02449	SEMI-FINISH SLEEVE 97.00 X 100.47 X 222.00 X 103.45 X 5.10 (MERCEDES OM 314,OM 352,OM 364,OM 366)	MERCEDES	OM 314,OM 352,OM 364,OM 366	3620110310, 366011510 & 3660110610	AE # RSE59713 GOETZE # 140258000 MAHLE # 004WV09 & KS # 89177190
SLVS01423	SEMI-FINISH SLEEVE 97.00 X 101.00 X 222.00 X 104.00 X 5.20 (MERCEDES OM 314,OM 352,OM 364,OM 366)	MERCEDES	OM 314,OM 352,OM 364,OM 366	OEM # 3520111810	MAHLE # 004WV08 KS # 89178190 & BF # 20040335201
SLVS01668	SEMI-FINISH SLEEVE 97.00 X 103.00 X 222.00 X 106.00 X 5.20 (MERCEDES OM 314,OM 352,OM 364,OM 366)	MERCEDES	OM 352		MAHLE # 004WV13 KS # 89069190 & BF # 20040335202
SLVS03843	SEMI-FINISH SLEEVE 97.50 X 100.48 X 222.00 X 103.50 X 5.20(MERCEDES-BENZ OM 364,OM 364A,OM 366,OM 366A)	MERCEDES	OM 364,OM 364A,OM 366,OM 366A		CENTRIFUGAL # UC81
AECO-NP-06388	SEMI-FINISH SLEEVE 97.50 X 100.50 X 222.20 X 103.40 X 5.15 (MERCEDES-BENZ OM 364, OM 366)	MERCEDES	OM 364, OM 366	3660110110	FADECYA # UC1278
W021M12500000N	W/C CYLINDER BLOCK(PLAIN BORE)MERCEDES OM 401,OM 402,OM 403,OM 404,OM 421,OM 424(W/C)COMPRESSOR (DIA. -90.00MM)	MERCEDES	OM 401, OM 402, OM 403, OM 404, OM 421, OM 424		KS # 89308110, 89440110 MAHLE # 004WN05 & BF # 20040340009

Item Code	Description	Engine	Model	O.E.M. No	Reference No
C391M15010000Y	CYLINDER LINER (H/C BORE) MITSUBISHI 3M15 (DIA.- 95.00MM)	MITSUBISHI	3M15		
C391M15310000N	CYLINDER LINER (H/C BORE) MITSUBISHI 5GT (DIA.- 150.00MM)	MITSUBISHI	5GT		
C391M15760000Y	CYLINDER LINER (H/C BORE) MITSUBISHI DAIYA (DIA.- 91.50MM)	MITSUBISHI	DAIYA		
C391M15270000N	CYLINDER LINER (H/C BORE) MITSUBISHI DAIYA 105 (DIA.- 105.00MM)	MITSUBISHI	DAIYA-105		
C391M15320000N	CYLINDER LINER (H/C BORE) MITSUBISHI DAIYA 6GGT (DIA.- 160.00MM)	MITSUBISHI	DAIYA 6GGT		
C391M15710000N	CYLINDER LINER (H/C BORE) MITSUBISHI PFE5/DAIYA 130 (DIA.-130.00MM)	MITSUBISHI	PFE5/DAIYA 130		
C411M15150015Y	CYLINDER LINER (PLAIN BORE) MITSUBISHI 4AACE2/6A (DIA.- 110.00MM) BODY CHROME PLATED	MITSUBISHI	4AACE2/6A		
C411M15160000N	CYLINDER LINER (PLAIN BORE) MITSUBISHI 6D10 (DIA.- 105.00MM)	MITSUBISHI	6D10		
C411M15170000N	CYLINDER LINER (PLAIN BORE) MITSUBISHI 6D11 (DIA.- 105.00MM) BODY CHROME PLATED	MITSUBISHI	6D11		
C411M15190033N	CYLINDER LINER (PLAIN BORE) MITSUBISHI 6D14 (NEW MODEL) DIA.-110.00MM	MITSUBISHI	6D14 (NEW MODEL)	OEM # ME071199 & ME071175	ARCO # CLMI611002F
C411M15370036N	CYLINDER LINER (PLAIN BORE) MITSUBISHI 6D14/FM 215 FUSO OLD MODEL (DIA.-110.00MM)	MITSUBISHI	6D14	ME031453, ME031463, ME031508, ME031510, ME031617, ME31618, ME071174 & ME071198	ARCO # CLMI611001F

Item Code	Description	Engine	Model	O.E.M. No	Reference No
C411M15200000N	CYLINDER LINER (PLAIN BORE) MITSUBISHI 6D15 (DIA.- 113.00MM)	MITSUBISHI	6D15	ME031654, ME031656, ME071041, ME071062, ME071063 & ME071064	ARCO # CLMI611301F & CLMI611301F
C411M15210000N	CYLINDER LINER (PLAIN BORE) MITSUBISHI 6D22 (DIA.- 130.00MM)	MITSUBISHI	6D22	ME051217, ME051500, ME051501, ME051502 & ME051503	ARCO # CLMI613001F
AECO-NP-06569	CYLINDER LINER (PLAIN BORE) MITSUBISHI 6DB1 (110.00 X 125.90 X 270.00 X 134.50 X 11.82)	MITSUBISHI	6DB1	3000762200 & ME040040	ARCO # CLMI611003F
AECO-NP-06559	CYLINDER LINER (PLAIN BORE) MITSUBISHI 6DS7 (98.00 X 110.00 X 201.00 X 117.00 X 10.00 X 0.90)	MITSUBISHI	6DS7	ME021843	ARCO # CLMI609801F
C411M15890000N	CYLINDER LINER (PLAIN BORE) MITSUBISHI 8DC10 (DIA.- 138.00MM) 138.00 X 154.00 X 259.70 X 163.00 X 11.80 X 154.00 X 1.70	MITSUBISHI	8DC10	OEM # ME062783	ARCO # CLMI813801F
C411M15690037N	CYLINDER LINER (PLAIN BORE) MITSUBISHI 8DC91 (DIA- 135.00MM) OUTSIDE CHROME PLATED	MITSUBISHI	8DC91	OEM # ME062602 & ME062604	
C411M15240000N	CYLINDER LINER (PLAIN BORE) MITSUBISHI D1000 (DIA.- 88.00MM)	MITSUBISHI	D1000		
C411M15260000N	CYLINDER LINER (PLAIN BORE) MITSUBISHI D800 (DIA.- 82.00MM)	MITSUBISHI	D800		
C411M15410017N	CYLINDER LINER (PLAIN BORE) MITSUBISHI HD-330 (DIA.- 145.00MM) BRIGHT BODY	MITSUBISHI	HD-330	OEM # EZ22017	
C411M15420000N	CYLINDER LINER (PLAIN BORE) MITSUBISHI M11 (DIA.- 92.00MM)	MITSUBISHI	M11		

Item Code	Description	Engine	Model	O.E.M. No	Reference No
C411M15530000N	CYLINDER LINER (PLAIN BORE) MITSUBISHI M12/NM-130 (DIA.- 94.00MM)	mitsubishi	M12/NM-130		
C411M15440000N	CYLINDER LINER (PLAIN BORE) MITSUBISHI M14/NM-155 (DIA.- 96.00MM)	mitsubishi	M14/NM-155		
C411M15450000N	CYLINDER LINER (PLAIN BORE) MITSUBISHI M16/NM-180H (DIA.-100.00MM)	mitsubishi	M16/NM- 180H		
C411M15460000N	CYLINDER LINER (PLAIN BORE) MITSUBISHI M80 (DIA.- 80.00MM)	mitsubishi	M80		
C411M15470000N	CYLINDER LINER (PLAIN BORE) MITSUBISHI M85/NM-85 (DIA.- 80.00MM)	mitsubishi	M85/NM-85		
C411M15480000N	CYLINDER LINER (PLAIN BORE) MITSUBISHI M95 (DIA.- 85.00MM)	mitsubishi	M95		
C411M15520000N	CYLINDER LINER (PLAIN BORE) MITSUBISHI NM-110 (DIA.- 88.00MM)	mitsubishi	NM-110		
C411M15550000Y	CYLINDER LINER (PLAIN BORE) MITSUBISHI NM-240 (DIA.- 113.00MM)	mitsubishi	NM-240		
C411M15560000Y	CYLINDER LINER (PLAIN BORE) MITSUBISHI NM-270 (DIA.- 118.00MM)	mitsubishi	NM-270		
C411M15570046N	CYLINDER LINER (PLAIN BORE) MITSUBISHI NM-45 (DIA.- 65.00MM) OUTSIDE BODY COPPER PLATED EXCEPT II nd COLLER DIA., BOTTOM DIA. & TOP FACE	mitsubishi	NM-45		
C411M15500000N	CYLINDER LINER (PLAIN BORE) MITSUBISHI NM-55 (DIA.- 68.00MM)	mitsubishi	NM-55		
C411M15510000N	CYLINDER LINER (PLAIN BORE) MITSUBISHI NM-65 (DIA.- 73.00MM)	mitsubishi	NM-65		
C411M15640000N	CYLINDER LINER (PLAIN BORE) MITSUBISHI SD-4 (DIA.- 68.00MM)	mitsubishi	SD-4		

Item Code	Description	Engine	Model	O.E.M. No	Reference No
C411M15650000N	CYLINDER LINER (PLAIN BORE) MITSUBISHI SD-5/NM-75 (DIA.-78.00MM)	mitsubishi	SD-5/NM-75		
C411M15660000N	CYLINDER LINER (PLAIN BORE) MITSUBISHI SD-6 (DIA.-80.00MM)	mitsubishi	SD-6		
AECO-NP-06981	CYLINDER LINER(PLAIN BORE)MITSUBISHI 6D20(DIA.-125.00MM)125.00 X 143.00 X 261.30 X 153.00 X 11.5 0 X 143.00 X 1.30	mitsubishi	6D20	ME051157, ME051553, ME051554 & 3090710501	ARCO # CLMI612501F
AECO-NP-06561	CYLINDER LINER(PLAIN BORE)MITSUBISHI 6DS7(NEW)(98.00 X 110.00 X 206.00 X 117.00 X 10.00 X 1.15)	mitsubishi	6DS7 (NEW)	ME029081 & ME029187	ARCO # CLMI609802F
AECO-NP-06983	CYLINDER LINER(PLAIN BORE)MITSUBISHI 8DC11(DIA.-142.00MM)142.00 X 154.00 X 259.50 X 163.00 X ?? X ?? X 1.70	mitsubishi	8DC11	ME060439, ME060440 & ME060441	ARCO # CLMI814201F
AECO-NP-06580	CYLINDER LINER(PLAIN BORE)MITSUBISHI 8DC8(135.00x154.00x229.30x163.00x11.80x154.00x1.00	mitsubishi	8DC8	3120772183	ARCO # CLMI813501F
SLVF00154	FULLY FINISH SLEEVE 104.00 X 108.00 X 197.50 (MITSUBISHI 4D32,4D34)	mitsubishi	4D32, 4D34	ME013366, ME013367 & ME012900	DIA # MSCS10401F
SLVF00148	FULLY FINISH SLEEVE 113.00 X 117.00 X 206.00 X 125.00 X 8.00 X 117.00 X 1.50 (MITSUBISHI 6D15T) FULLY BLACK FINISH	mitsubishi	6D15T	ME071086, ME071087, ME071088, ME071089, ME071090, ME071091, ME071092, ME071145 & ME047574	ARCO # CLMI611303F & DIA # MSCS11301FP F
SLVF00152	FULLY FINISH SLEEVE 118.00 X 122.00 X 205.00 X 128.00 X 8.00 (MITSUBISHI 6D16)	mitsubishi	6D16	ME071224, ME071225, ME071226, ME071227, ME071228 & ME071230	ARCO # CLMI611801F

Item Code	Description	Engine	Model	O.E.M. No	Reference No
SLVF00035	FULLY FINISH SLEEVE 118.00 X 122.00 X 206.00 X 128.00 X 8.00 X 121.00 X 1.50 (FULLY BLACK FINISH) MITSUBISHI 6D16	mitsubishi	6D16	ME041102, ME041105 & ME041107	ARCO # CLMI611802F & DIA # MSCS11802FP F
SLVF00147	FULLY FINISH SLEEVE 118.00 X 122.00 X 209.00 X 128.00 X 8.00 (mitsubishi 6D17) FULLY BLACK FINISH	mitsubishi	6D17	ME071125, ME071225, ME071537, ME071538 & ME071543	ARCO # CLMI611803F
SLVF00285	FULLY FINISH SLEEVE 135.00 X 140.00 X 261.00 X 149.00 X 9.00 X 140.00 X 1.30 (mitsubishi 6D40T) BLACK FINISH	mitsubishi	6D40T	OEM # ME120028	ARCO # CLMI613502F
SLVF00153	FULLY FINISH SLEEVE 91.10 X 94.10 X 164.50 (mitsubishi 4D55,4D56)	mitsubishi	4D55, 4D56	MD050430, MD103648 & MD103649	DIA # MSCS09111F
SLVS03326	SEMI-FINISH SLEEVE 100.00 X 104.00 X 196.50 (mitsubishi 4D30,4D31)	mitsubishi	4D30,4D31	OEM # ME011513	AE # SU351258 & DIA. # MSCS10001S
AECO-NP-06398	SEMI-FINISH SLEEVE 100.00 X 104.15 X 196.50 X 105.74 X 4.76(mitsubishi 4D30, 4D31, 4D31T)	mitsubishi	4D30, 4D31, 4D31T		FADECYA # UP2047
SLVS05068	SEMI-FINISH SLEEVE 102.00 X 105.00 X 196.00 (mitsubishi S6KT)	mitsubishi	S6KT	3430700500 & 3430700501	ARCO # CLMI610201P
SLVS02877	SEMI-FINISH SLEEVE 104.00 X 108.00 X 197.00 X 113.00 X 4.00 (mitsubishi 4D36)	mitsubishi	4D36	ME013366, ME013367 & ME012900	ARCO # CLMI410401S
SLVS00106	SEMI-FINISH SLEEVE 104.00 X 108.00 X 197.50 (mitsubishi 4D32,4D34)	mitsubishi	4D32, 4D34	ME013366, ME013367 & ME012900	DIA # MSCS10401S & CENTRIFUGAL # UCO6120
SLVS02729	SEMI-FINISH SLEEVE 104.00 X 108.00 X 200.00 X 113.00 X 4.00 (mitsubishi 4D34 OR HYUNDAI D4DA)	mitsubishi	4D34	ME013366, ME013367, ME012900 & 2110045000	ARCO # CLMI410402S & CLHD410402S

Item Code	Description	Engine	Model	O.E.M. No	Reference No
AECO-NP-06555	SEMI-FINISH SLEEVE 108.00 X 112.00 X 205.00 X 117.00 X 5.00 (MITSUBISHI 4D33)	MITSUBISHI	4D33	ME013333	ARCO # CLMI410801S
SLVS00176	SEMI-FINISH SLEEVE 108.00 X 112.00 X 230.00 (MITSUBISHI 4D33)	MITSUBISHI	4D33		
SLVS02876	SEMI-FINISH SLEEVE 110.00 X 114.00 X 205.00 X 119.00 X 5.00 (MITSUBISHI 4D35)	MITSUBISHI	4D35	OEM # ME013678	ARCO # CLMI411001S
AECO-NP-06392	SEMI-FINISH SLEEVE 73.00 X 77.76 X 145.00 X 79.35 X 4.76 (MITSUBISHI 4G33)	MITSUBISHI	4G33		FADECYA # A0936
AECO-NP-06391	SEMI-FINISH SLEEVE 73.00 X 77.76 X 152.40 X 79.35 X 4.76 (MITSUBISHI 4G36)	MITSUBISHI	4G36		FADECYA # A1763
SLVS00636	SEMI-FINISH SLEEVE 76.20 X 81.20 X 190.00 (MITSUBISHI 120)	MITSUBISHI	120		
AECO-NP-06393	SEMI-FINISH SLEEVE 76.90 X 81.66 X 145.00 X 83.25 X 4.76 (MITSUBISHI 4G32)	MITSUBISHI	4G32		FADECYA # A1730
AECO-NP-06536	SEMI-FINISH SLEEVE 80.00 X 83.05 X 154.00 X 84.00 X 5.00 (MITSUBISHI F8Q, 784 TURBO)	MITSUBISHI	F8Q, 784		ARCO # CLMI408001S
AECO-NP-06537	SEMI-FINISH SLEEVE 80.60 X 84.60 X 150.00 X 90.50 X 4.00 (MITSUBISHI 4D65T)	MITSUBISHI	4D65T		ARCO # CLMI408061S
AECO-NP-06538	SEMI-FINISH SLEEVE 82.70 X 86.70 X 170.00 X 90.70 X 5.00 (MITSUBISHI 4D68)	MITSUBISHI	4D68		ARCO # CLMI408271S
AECO-NP-06540	SEMI-FINISH SLEEVE 84.00 X 88.00 X 163.00 (MITSUBISHI 4DQ5)	MITSUBISHI	4DQ5	3060750301	ARCO # CLMI408401P
AECO-NP-06394	SEMI-FINISH SLEEVE 84.00 X 88.76 X 152.40 X 90.35 X 4.76 (MITSUBISHI 4G52)	MITSUBISHI	4G52		FADECYA # A1200
SLVS01167	SEMI-FINISH SLEEVE 91.10 X 94.13 X 164.50 (MITSUBISHI L-300,PAJERO,2.5 LTR. DIESEL 4D55,4D56)	MITSUBISHI	L-300, PAJERO, 2.5 LTR. DIESEL 4D55, 4D56	OEM # MD050430 & MD103648 & MD103649	GOETZE # 140155900 & DIA # MSCS09111S

Item Code	Description	Engine	Model	O.E.M. No	Reference No
SLVS05175	SEMI-FINISH SLEEVE 91.10 X 94.20 X 165.00 X 98.10 X 4.00 (MITSUBISHI 4D56)	MITSUBISHI	4D56	2113142001, MD050430, MD168963, MD103648 & MD103649	TEIKIN # LSF 43171
SLVS03987	SEMI-FINISH SLEEVE 91.10 X 94.50 X 165.00 X 97.00 X 4.50 (MITSUBISHI 4D56)	MITSUBISHI	4D56		CENTRIFUGAL # A4749
AECO-NP-06376	SEMI-FINISH SLEEVE 91.10 X 95.37 X 170.00 (MITSUBISHI 4G54)	MITSUBISHI	4G54		AE # RSM88095
SLVS02881	SEMI-FINISH SLEEVE 92.00 X 95.00 X 176.00 (MITSUBISHI 4DR5)	MITSUBISHI	4DR5	OEM # 3160702202	ARCO # CLMI409201P
AECO-NP-06542	SEMI-FINISH SLEEVE 94.00 X 98.00 X 165.00 (MITSUBISHI S4E, S4E1)	MITSUBISHI	S4E, S4E1	3440700301	ARCO # 3440700301
SLVS02888	SEMI-FINISH SLEEVE 95.00 X 98.00 X 180.00 (MITSUBISHI 4DR7)	MITSUBISHI	4DR7	OEM # ME997798	ARCO # CLMI409501P
SLVS04096	SEMI-FINISH SLEEVE 95.00 X 99.00 X 176.00 X 101.50 X 4.76 (MITSUBISHI 4M40)	MITSUBISHI	4M40		
SLVS01367	SEMI-FINISH SLEEVE 95.00 X 99.00 X 186.00 (MITSUBISHI 4M40)	MITSUBISHI	4M40	OEM # ME200685 & ME999919	ARCO # CLMI409502P
SLVS02878	SEMI-FINISH SLEEVE 95.00 X 99.00 X 186.00 X 104.60 X 2.50 (MITSUBISHI 4M40)	MITSUBISHI	4M40	OEM # ME200685 & ME999919	ARCO # CLMI409502S
AECO-NP-06544	SEMI-FINISH SLEEVE 98.00 X 102.00 X 168.50 (MITSUBISHI S4E2, S4F)	MITSUBISHI	S4E2, S4F	3440700500 & 3440705400	ARCO # CLMI409801P
SLVS02880	SEMI-FINISH SLEEVE 98.50 X 102.50 X 180.00 X 108.00 X 2.50 (MITSUBISHI 4M41)	MITSUBISHI	4M41		ARCO # CLMI409851S
A011M16010000Y	AIR COOLED CYLINDER BLOCK (PLAIN BORE) MOBYLETTE AV51-MEP (DIA.-46.00MM)	MOBYLETTE	AV51-MEP		

Item Code	Description	Engine	Model	O.E.M. No	Reference No
C411M18080000N	CYLINDER LINER (PLAIN BORE) MWM D225, D227, D327, TD226, TD228 (100.00 X 110.91 X 212.00 X 117.00 X 8.03)	MWM	D225, D227, D327, TD226, TD228		CENTRIFUGAL # UCO991
AECO-NP-06221	CYLINDER LINER (PLAIN BORE) MWM D932V, D232V (120.00 X 137.00 X 265.20 X 146.00 X 9.60)	MWM	D932V, D232V		CENTRIFUGAL # UCO4526
AECO-NP-06214	CYLINDER LINER (PLAIN BORE) MWM KD112 (98.00 X 112.46 X 235.00 X 119.90 X 8.05)	MWM	KD112		CENTRIFUGAL # UCO1061
AECO-NP-06216	CYLINDER LINER (PLAIN BORE) MWM TD225 (100.00 X 112.91 X 212.00 X 119.00 X 8.04)	MWM	TD225		CENTRIFUGAL # UCO1065
C411M18090000N	CYLINDER LINER (PLAIN BORE) MWM TD229-EC (DIA.- 102.00MM) 102.00 X 112.90 X 212.50 X 119.05 X 8.04 X X 1.00	MWM	TD229-EC		FADECYA # UCO1068
AECO-NP-08190	CYLINDER LINER (PLAIN BORE) MWM-140 (DIA.-140.00MM) 140.00 X 152.00 X 330.00 X 166.00 X 11.20	MWM	140		
AE13045	CYLINDER LINER(PLAIN BORE)MWM 4.10T, 6.10TCA(103.00 X 113.95 X 212.50 X 123.50 X 8.04 X 117.87)	MWM	4.10T, 6.10TCA	OEM # 6100132005 00	CENTRIFUGAL # UCO4545 & FADECYA # UCO1974
C411M18070000N	CYLINDER LINER(PLAIN BORE)MWM KD12Z,KD12D,KD12V,KD12E(95. 00 X 109.90 X 235.00 X 118.00 X 8.04)	MWM	KD12Z, KD12D, KD12V, KD12E		CENTRIFUGAL # UCO1060
AECO-NP-06220	FULLY FINISH SLEEVE 105.00 X 108.00 X 214.00 X 111.80 X 6.02 (MWN D226B, TD226)	MWM	D226B, TD226		CENTRIFUGAL # UCO992 & FADECYA # UCO0992
AECO-NP-06414	SEMI-FINISH SLEEVE 93.00 X 96.08 X 181.40 X 102.45 X 6.04 (MWM 6.07 T/TCA 18v)	MWM	6.07 T/TCA 18v		FADECYA # UX1902

Item Code	Description	Engine	Model	O.E.M. No	Reference No
C411N03500000N	CYLINDER LINER (PLAIN BORE) NISSAN/DATSUN ED30(98.00 X 111.00 X 184.50 X 117.00 X 8.00 X 111.00 X	NISSAN/DATSUN	ED30	OEM # 11012J2000 & 11012J2001	DIA. # NDCL09801F & ARCO # CLNI409801F
C411N03090033Y	CYLINDER LINER (PLAIN BORE) NISSAN/DATSUN ED33 (DIA.- 100.00MM) NEW MODEL (100.00 X 112.00 X 191.00 X 118.00 X 8.10 X 108.00 X 1.00)	NISSAN/DATSUN	ED33 (NEW)	OEM # 11012T9000 & 11012T9001	DIA # NDCL10002F NDCL10002F- DC ARCO # CLNI410001F & CENTRIFUGAL # UCO4924
C411N03090036Y	CYLINDER LINER (PLAIN BORE) NISSAN/DATSUN ED33 (DIA.- 100.00MM) OLD MODEL	NISSAN/DATSUN	ED33 (OLD MODEL)	1101202T01, 1101202T10 & 1101202T90 17	CENTRIFUGAL # UCO4932 & ARCO # CLNI410002F
C411N03110000N	CYLINDER LINER (PLAIN BORE) NISSAN/DATSUN ED35/FD35 (102.50 X 113.20 X 190.60 X 119.20 X 8.00 X 107.75 X 0.80)	NISSAN/DATSUN	FD35/ED35	OEM # 1101201T10 & 1101201T01	DIA # NDCL10251F ARCO # CLNI410251F & NDCL10251F- DC
C411N03120027N	CYLINDER LINER (PLAIN BORE) NISSAN/DATSUN FD6T (FULLY BLACK FINISH) 100.00 X 112.00 X 212.00 X 118.00 X 8.00 X 108.00 X 1.00	NISSAN/DATSUN	FD6T	11012Z5001, 11012Z5020, 11012Z5512 & 11012Z5573	DIA # NDCL10001F NDCL10001F- DC NDCL10001F- DCP & ARCO # CLNI610001F
C411N03300000N	CYLINDER LINER (PLAIN BORE) NISSAN/DATSUN RD8,RD10 (DIA.- 135.00.00MM)	NISSAN/DATSUN	RD8, RD10	1101297001, 1101297025, 1101297063 & 1101297077	DIA # NDCL13501F NDCL13501F- DC NDCL13501F- DCP NDCL13501F- PF & ARCO # CLNI813501F CLNIA13501F

Item Code	Description	Engine	Model	O.E.M. No	Reference No
C411N03540000N	CYLINDER LINER (PLAIN BORE) NISSAN/DATSUN RF8 (DIA.- 138.00MM) 138.00 X 159.00 X 238.30 X 167.00 X 11.00 X 159.00 X 1.30	NISSAN/DATSUN	RF8	OEM # 1101297164 & 1101297171	DIA # NDCL13801F/F- DC/F-DCP
C411N03530000N	CYLINDER LINER(PLAIN BORE)NISSAN/DATSUN RE8,RE10(DIA.- 135.00MM)135.00 X 154.90 X 238.00 X 161.10 X 11.10 X 154.90 X 3.10	NISSAN/DATSUN	RE8, RE10	1101297118, 1101297161 & 1101297127	ARCO # CLNIA13502F
SLVF00146	FULLY FINISH SLEEVE 108.00 X 111.00 X 197.00 X 115.90 X 8.00 X 111.00 X 0.90 (NISSAN/DATSUN FD42T) FULLY BLACK FINISH	NISSAN/DATSUN	FD42T	OEM # 110120T000 & 110120T001	ARCO # CLNI410802F
SLVF00017	FULLY FINISH SLEEVE 108.00 X 111.02 X 220.00 X 115.90 X 8.00 X 111.00 X 1.00 (NISSAN/DATSUN FE6T) FULLY BLACK FINISH	NISSAN/DATSUN	FE6T	OEM # 11012Z5518	DIA # NDCL10801F
AECO-NP-06417	FULLY FINISH SLEEVE 110.00 X 115.0 X 227.00 X 118.90 X 2.97 X 1.00 (NISSAN ND6, NE6)	NISSAN/DATSUN	ND6, NE6	1101295001 & 1101295002	FADECYA # UCO1913 & ARCO # CLNI611001F
AECO-NP-06632	FULLY FINISH SLEEVE 110.00 X 115.00 X 229.00 X 121.00 X 3.00 X 115.00 X 1.00 (NISSAN NE6T)	NISSAN/DATSUN	NE6T	1101295065 & 1101295066	ARCO # CLNI611002F
AECO-NP-06962	FULLY FINISH SLEEVE 120.00 X 123.00 X 226.00 X 129.00 X 8.00 X 123.00 X 1.20 (NISSAN NF6)	NISSAN/DATSUN	NF6	1101295515	DIA # NDCS12001F
AECO-NP-06634	FULLY FINISH SLEEVE 125.00 X 130.00 X 259.00 X 134.00 X 3.00 X 134.00 X 1.00 (NISSAN PD6)	NISSAN/DATSUN	PD6	1101296000 & 1101296001	ARCO # CLNI612501F
SLVF00163	FULLY FINISH SLEEVE 125.00 X 130.02 X 259.15 X 134.00 X 4.30 (W/O FIRELIP) NISSAN/DATSUN PD6,PD6T	NISSAN/DATSUN	PD6, PD6T		AE # RSL60703 (W/O FIRELIP)

Item Code	Description	Engine	Model	O.E.M. No	Reference No
SLVF00112	FULLY FINISH SLEEVE 133.00 X 138.00 X 259.00 X 144.00 X 3.00 X 138.00 X 1.20(NISSAN/DATSUN PF6T)	NISSAN/DATSUN	FE6T	1101296561, 1101296565 & 1101296607	DIA # NDCS13302F- PF & ARCO # CLNI613302F
SLVF00056	FULLY FINISH SLEEVE 85.725 X 90.725 X 200.00 (NISSAN/DATSUN P,P40)	NISSAN/DATSUN	P40		
SLVF00151	FULLY FINISH SLEEVE 89.00 X 92.00 X 172.00 X 98.00 X 5.00 (NISSAN SD23,SD25)	NISSAN/DATSUN	SD23, SD25	OEM # 11012L2002 & 11012L2003	ARCO # CLNI408901F & DIA # NDCS08901F
SLVF00067	FULLY FINISH SLEEVE 92.900x95.870x159.640x101.85 0x5.080(EXTRA SMOOTH)NISSAN/DATSUN TD25,E42	NISSAN/DATSUN	TD25, E42		
SLVF00103	FULLY FINISH SLEEVE 96.00 X 99.00 X 160.00 X 105.00 X 5.00 (NISSAN/DATSUN TD27)	NISSAN/DATSUN	TD27	OEM # 1101206J00	AE # RSL60715 & SJ351307
SLVF00273	FULLY FINISH SLEEVE 96.00 X 99.00 X 164.00 X 105.00 X 5.00 (NISSAN/DATSUN TD27, TD42)	NISSAN/DATSUN	TD27, TD42	OEM # 110122S000, 1101243G05, 1101243G10 & 1101206J10 (S/F)	
SLVF00072	FULLY FINISH SLEEVE 96.000 X 99.002 X 172.600 X 104.930 X 5.050 (NISSAN/DATSUN BD30)	NISSAN/DATSUN	BD30	OEM # 1201254T00	
SLVS03329	SEMI-FINISH SLEEVE 108.00 X 111.00 X 213.50 X 115.90 X 8.00 X 111.00 X 1.00 (NISSAN/DATSUN FD46)	NISSAN/DATSUN	FD46	OEM # 110120T300	ARCO # CLNI410801S & AE # RSE60740
SLVS00536	SEMI-FINISH SLEEVE 73.00 X 77.08 X 132.00 (NISSAN/DATSUN A10,A12)	NISSAN/DATSUN	A10, A12		
AECO-NP-06584	SEMI-FINISH SLEEVE 76.00 X 80.50 X 145.00 X 84.50 X 5.00 (NISSAN K9K 700/704/722/750)	NISSAN/DATSUN	K9K 700/704/722 /750		ARCO # CLNI407601S

Item Code	Description	Engine	Model	O.E.M. No	Reference No
AECO-NP-06588	SEMI-FINISH SLEEVE 77.00 X 81.00 X 147.50 X 84.00 X 5.00 (NISSAN TUD5/VJX)	NISSAN/DATSUN	TUD5/VJX		ARCO # CLNI407701S
SLVS00663	SEMI-FINISH SLEEVE 77.50 X 83.00 X 150.00 (NISSAN/DATSUN J15)	NISSAN/DATSUN	J15		
AECO-NP-06590	SEMI-FINISH SLEEVE 80.00 X 84.00 X 146.00 X 86.00 X 4.80 (NISSAN CD17)	NISSAN/DATSUN	CD17	1101216A00	ARCO # CLNI408001S
SLVS00804	SEMI-FINISH SLEEVE 83.00 X 87.00 X 176.00 X 93.00 X 5.00 (NISSAN/DATSUN SD22,SD33)	NISSAN/DATSUN	SD22, SD33	OEM # 1101276200 & 1101276201 (S/F)	(CLIENT PART # CSD-02) DIA # NDCS08301S & ARCO # CLNI408301S
SLVS04138	SEMI-FINISH SLEEVE 84.50 X 88.50 X 150.00 X 90.00 X 5.00 (NISSAN/DATSUN LD28)	NISSAN/DATSUN	LD28	OEM # 11012V0700 & 11012V0702	ARCO # CLNI608451S
SLVS00864	SEMI-FINISH SLEEVE 84.50 X 88.50 X 150.00 X 91.00 X 4.80 (NISSAN/DATSUN CD20)	NISSAN/DATSUN	CD20	OEM # 1101216A02	ARCO # CLNI408451S
SLVS00875	SEMI-FINISH SLEEVE 85.00 X 89.00 X 150.00 X 93.00 X 2.00 (NISSAN LD20,RD28)	NISSAN/DATSUN	LD20, RD28	OEM # 11012W1702 & 11012V2070	ARCO # CLNI408501S & CLNI608501S
SLVS00327	SEMI-FINISH SLEEVE 85.00 X 89.12 X 150.00 (NISSAN/DATSUN Z20)	NISSAN/DATSUN	Z20		
SLVS02724	SEMI-FINISH SLEEVE 86.00 X 90.00 X 160.00 X 94.00 X 5.00 (NISSAN/DATSUN YD22TDI)	NISSAN/DATSUN	YD22TDI	OEM # 11012AW40 1	ARCO # CLNI408601S
SLVS02437	SEMI-FINISH SLEEVE 87.00 X 91.00 X 160.00 (NISSAN LD23)	NISSAN/DATSUN	LD23		ARCO # CLNI408701P
AECO-NP-06612	SEMI-FINISH SLEEVE 89.00 X 92.00 X 160.00 X 98.00 X 5.00 (NISSAN TD23)	NISSAN/DATSUN	TD23	1101202N00 & 1101202N10	ARCO # CLNI408902S
SLVS04973	SEMI-FINISH SLEEVE 89.00 X 92.50 X 167.00 (NISSAN YD25TDI)	NISSAN/DATSUN	YD25TDI		ARCO # CLNI408903P
AECO-NP-06618	SEMI-FINISH SLEEVE 89.00 X 92.50 X 167.00 X 93.50 X 4.00 (NISSAN G9U 720)	NISSAN/DATSUN	G9U 720		ARCO # CLNI408904S

Item Code	Description	Engine	Model	O.E.M. No	Reference No
AECO-NP-06223	SEMI-FINISH SLEEVE 92.90 X 95.25 X 161.00 X 102.00 X 5.50 (NISSAN TD25)	NISSAN/DATSUN	TD25		CENTRIFUGAL # UC4806
SLVS01242	SEMI-FINISH SLEEVE 92.90 X 95.90 X 160.50 X 102.00 X 5.00 (NISSAN/DATSUN TD25,E42)	NISSAN/DATSUN	TD25, E42	1101244G05, 1101244G10 & 1101287G00 (S/F)	DIA # NDCS09291S & ARCO # CLNI409291S
SLVS02722	SEMI-FINISH SLEEVE 96.00 X 100.00 X 165.00 X 104.00 X 5.00 (NISSAN/DATSUN ZD30TDI)	NISSAN/DATSUN	ZD30TDI	OEM # 11012VK601	ARCO # CLNI409604S
SLVS01406	SEMI-FINISH SLEEVE 96.00 X 99.00 X 160.50 X 105.00 X 5.00 (NISSAN/DATSUN TD27,TD42)	NISSAN/DATSUN	TD27, TD42	110122S000, 1101243G05, 1101243G10 & 1101206J10 (S/F)	DIA # NDCS09601S & ARCO # CLNI409601S
SLVS04906	SEMI-FINISH SLEEVE 99.20 X 103.20 X 155.00 (NISSAN/DATSUN QD32)	NISSAN/DATSUN	QD32	110122S611	ARCO # CLNI409921P
SLVS02723	SEMI-FINISH SLEEVE 99.20 X 103.20 X 160.00 X 107.00 X 5.00 (NISSAN/DATSUN QD32)	NISSAN/DATSUN	QD32	OEM # 110122S611	ARCO # CLNI409921S
C411M20280000Y	CYLINDER LINER (PLAIN BORE) CROW 312 (DIA.-146.05MM)	No Engine	312		
C411T05010000N	CYLINDER LINER (PLAIN BORE) TORPEDO 11 HP (DIA.- 100.00MM)	No Engine	11 H.P.		
SLVS00005	SEMI-FINISH SLEEVE 100.00 X 104.00 X 191.50(MITSUBISHI 4D30,4D31,6D31)	No Engine	4D30,4D31,6 D31	2131141300, 2113141300, ME011604, ME011523 & ME011606	DIA # MSCS10002S & ARCO # CLMI410002P CLMI610001P
SLVS04961	SEMI-FINISH SLEEVE 81.99 X 86.83 X 136.52	No Engine			
SLVS04962	SEMI-FINISH SLEEVE 85.73 X 90.57 X 152.40	No Engine			

Item Code	Description	Engine	Model	O.E.M. No	Reference No
AECO-NP-06161	SEMI-FINISH SLEEVE 85.98 X 90.00 X 142.50 X 91.60 X 4.80 (GM C20LET/NE/SEH; OPEL)	No Engine	-		CENTRIFUGAL # A1511
SLVS04963	SEMI-FINISH SLEEVE 88.90 X 93.74 X 152.40	No Engine			
AECO-NP-06230	SEMI-FINISH SLEEVE 79.00 X 82.25 X 147.90 X 83.78 X 4.90 (OPEL)	OPEL	-		CENTRIFUGAL # A6112
SLVS00948	SEMI-FINISH SLEEVE 86.50 X 92.00 X 172.00 X 93.90 X 4.50 (OPEL 2000 DIESEL)	OPEL	2000 DIESEL		CENTRIFUGAL # A1657
SLVS00990	SEMI-FINISH SLEEVE 88.00 X 92.00 X 172.00 X 93.90 X 4.50 (OPEL 2100)	OPEL	2100		
SLVS01210	SEMI-FINISH SLEEVE 92.00 X 95.00 X 172.00 X 96.90 X 4.55 (OPEL 2300 DIESEL)	OPEL	2300 DIESEL		
AECO-NP-06232	CYLINDER LINER(PLAIN BORE)PEGASO 9105,9107,1061,2080(120.00x130.97x313.00x146.00x60.10)	PEGASO	9105, 9107, 1061, 2080		CENTRIFUGAL # UCO6176
AECO-NP-06231	CYLINDER LINER(PLAIN BORE)PEGASO 9105/11/15/17,9106,9107,9109,1083,1061(120.00x130.97x313.00x146.00x54.24)	PEGASO	9105/11/15/17, 9106, 9107, 9109, 1083, 1061		CENTRIFUGAL # UCO4689
AECO-NP-06233	CYLINDER LINER(PLAIN BORE)PEGASO 9152,9156,9157,9180(130.00x146.00x306.70x161.00x54.21)	PEGASO	9152, 9156, 9157, 9180		CENTRIFUGAL # UCO4674
C391P04180000N	CYLINDER LINER (H/C BORE) PETTER PJ (W/C) DIA.-96.88MM	PETTER	PJ (W/C)		
C411P04060025N	CYLINDER LINER (PLAIN BORE) PETTER AV-1 W/C (DIA.-80.00MM) ENGLISH OLD TYPE (B/B)	PETTER	AV (W/C)	OEM #=JB67	
C411P04110000N	CYLINDER LINER (PLAIN BORE) PETTER FIELDING EH (DIA.-177.80MM)	PETTER	FIELDING EH		

Item Code	Description	Engine	Model	O.E.M. No	Reference No
C411P04160038N	CYLINDER LINER (PLAIN BORE) PETTER PH-1 (DIA.-87.31MM) COLLAR DIA.-110.00 (TAPER BODY) AM	PETTER	PH (W/C)		
C411P04160035N	CYLINDER LINER (PLAIN BORE) PETTER PH-1 (DIA.-87.31MM) COLLAR DIA.-113.50 (NEW MODEL-TAPER BODY) AD	PETTER	PH		
C411P05000000N	CYLINDER LINER (PLAIN BORE) PEUGEOT (DIA.-76.00MM)	PEUGEOT	-		
C411P05110000N	CYLINDER LINER (PLAIN BORE) PEUGEOT 106 & 205 (DIA.- 70.00MM)	PEUGEOT	106 & 205		
C411P05120000N	CYLINDER LINER (PLAIN BORE) PEUGEOT 106/205/306/309 (DIA.-72.00MM)	PEUGEOT	106/205/306 /309		
C411P05130000N	CYLINDER LINER (PLAIN BORE) PEUGEOT 204 (NEW MODEL) & 304 OLD MODEL (DIA.- 75.00MM)	PEUGEOT	204 (NEW MODEL) & 304 OLD MODEL		AE # CH 5061200 & MAHLE # 039- WN-04
C411P05160000N	CYLINDER LINER (PLAIN BORE) PEUGEOT 205 ESS & 309 ESS (DIA.-75.00MM)	PEUGEOT	205 ESS & 309 ESS		
C411P05150000N	CYLINDER LINER (PLAIN BORE) PEUGEOT 205,309,405 (DIA.- 83.00MM)	PEUGEOT	205, 309, 405		MAHLE # 039WN24 AE # CH5305200 & KS # 89301110
C411P05350000Y	CYLINDER LINER (PLAIN BORE) PEUGEOT 206 (DIA.-75.00MM)	PEUGEOT	206		
C411P05040033N	CYLINDER LINER (PLAIN BORE) PEUGEOT 304 (NEW MODEL) DIA.-76.00MM	PEUGEOT	304		AE # CH 5108200 & MAHLE # 039- WN-06
C411P05040000N	CYLINDER LINER (PLAIN BORE) PEUGEOT 304, 305 (DIA.- 78.00MM)	PEUGEOT	304, 305		AE # CH5238200; MAHLE # 039- WN-18 & KS #=88-844-110

Item Code	Description	Engine	Model	O.E.M. No	Reference No
C411P05050000N	CYLINDER LINER (PLAIN BORE) PEUGEOT 305 (DIA.-78.00MM)	PEUGEOT	305		
AECO-NP-06432	CYLINDER LINER (PLAIN BORE) PEUGEOT 404, 504 (90.00 X 96.00 X 173.20 X 106.25 X 7.05 X 102.46)	PEUGEOT	404, 504		FADECYA # UCO0957
C411P05070000Y	CYLINDER LINER (PLAIN BORE) PEUGEOT 405 (DIA.-83.00MM)	PEUGEOT	405		CENTRIFUGAL & FADECYA # UCO1406
AE13255	CYLINDER LINER (PLAIN BORE) PEUGEOT 504 (DIA.-88.00MM)	PEUGEOT	504		
C411P05230036N	CYLINDER LINER (PLAIN BORE) PEUGEOT 84MM P404,504 AVANT-1970 (DIA.-84.00MM) OLD MODEL	PEUGEOT	P404, 504 AVANT-1970		FADECYA # UCO0449
C411P05260000N	CYLINDER LINER (PLAIN BORE) PEUGEOT 84MM XC-7, XC7P- XM7P, 504 (DIA.-84.00MM)	PEUGEOT	XC-7, XC7P- XM7P, 504		
C411P05280026N	CYLINDER LINER (PLAIN BORE) PEUGEOT 88MM XN1 ET XN2, 504 PETROL (DIA.-88.00MM) ETHI	PEUGEOT	88 MM XN1 ET XN2, 504 PETROL	*	AE # CH5138200 KS # 88589110 MAHLE # 039WN13 FADECYA # UCO0961 & CENTRIFUGAL # UCO961
C411P05280040N	CYLINDER LINER (PLAIN BORE) PEUGEOT 88MM XN1 ET XN2, 504 PETROL (DIA.-88.00MM) YMN	PEUGEOT	88 MM XN1 ET XN2, 504 PETROL		AE # CH5138200 KS # 88589110 MAHLE # 039WN13 FADECYA # UCO0961 & CENTRIFUGAL # UCO961

Item Code	Description	Engine	Model	O.E.M. No	Reference No
AECO-NP-06427	CYLINDER LINER (PLAIN BORE) PEUGEOT XB 5B (80.00 X 84.99 X 139.40 X 95.75 X 5.92 X 90.97)	PEUGEOT	XB 5B		FADECYA # UCO0450
AECO-NP-06430	CYLINDER LINER (PLAIN BORE) PEUGEOT XC6A (85.00 X 88.99 X 135.70 X 98.95 X 6.52 X 94.67)	PEUGEOT	XC6A		FADECYA # UCO0921
C411P05270000N	CYLINDER LINER (PLAIN BORE) PEUGEOT XD88,XDP88,404D DIESEL (DIA.-88.00MM)	PEUGEOT	XD88, XDP88, 404D DIESEL	*	PERFECT CIRCLE 62741480 KS # 88524110 MAHLE # 039WN12 FADECYA # UCO0950 & CENTRIFUGAL # UCO950
C411P05290000N	CYLINDER LINER (PLAIN BORE) PEUGEOT XD90, XDP90, 504D DIESEL (DIA.-90.00MM)	PEUGEOT	XD90, XDP90, 504D DIESEL		PERFECT CIRCLE # 62287480 & MAHLE # 039WN15
AECO-NP-06429	CYLINDER LINER(PLAIN BORE)PEUGEOT XC5/P,XC6XN,XF6(84.00x88.97x1 29.00x98.96x6.52x94.66)	PEUGEOT	XC5/P, XC6XN, XF6		FADECYA # UCO1916
SLVF00059	FULLY FINISH SLEEVE 87.00 X 91.02 X 136.50 X 102.20 X 7.05 (PEUGEOT V6 DIESEL)	PEUGEOT	V6		
SLVS00720	SEMI-FINISH SLEEVE 80.00 X 83.00 X 154.00 X 86.00 X 4.50 (PEUGEOT 205,309,405)	PEUGEOT	205, 309, 405	G140248300 0, K89316190 & M039WV23	ARCO # CLHO408001S & GOETZE # 1402483000
SLVS02791	SEMI-FINISH SLEEVE 80.00 X 83.20 X 154.00 X 84.85 X 4.80 (PEUGEOT XUD7/F8Q)	PEUGEOT	XUD7/F8Q		
SLVS00786	SEMI-FINISH SLEEVE 82.20 X 86.00 X 154.00 X 89.00 X 4.55 (PEUGEOT PARTNER)	PEUGEOT	-		

Item Code	Description	Engine	Model	O.E.M. No	Reference No
SLVS00799	SEMI-FINISH SLEEVE 83.00 X 86.04 X 154.00 X 89.85 X 4.55 (PEUGEOT 305D/309D/405D)	PEUGEOT	305D/309D/405D		
SLVS02790	SEMI-FINISH SLEEVE 83.00 X 86.20 X 154.00 X 88.00 X 4.80 (PEUGEOT 405 DIESEL)	PEUGEOT	405 DIESEL		
SLVS00801	SEMI-FINISH SLEEVE 83.00 X 87.00 X 153.50 (PEUGEOT 405-D)	PEUGEOT	405 DIESEL		
SLVS00806	SEMI-FINISH SLEEVE 83.00 X 87.04 X 153.50 X 89.85 X 4.60 (PEUGEOT 405-D) WITH COLLAR	PEUGEOT	405-D		
SLVS03138	SEMI-FINISH SLEEVE 94.00 X 97.50 X 170.00 X 98.70 X 5.00 (PEUGEOT 505)	PEUGEOT	505		
SLVS04443	SEMI-FINISH SLEEVE 94.00 X 98.00 X 170.50 X 99.50 X 4.90 (PEUGEOT 504, 505)	PEUGEOT	504, 505		CENTRIFUGAL # A1643
SLVS01304	SEMI-FINISH SLEEVE 94.00 X 98.00 X 170.60 X 99.50 X 3.90 ('PEUGEOT 504D,505D,XD2/XD2P,XD2S)	PEUGEOT	504D,505D,XD2/XD2P,XD2S		
SLVS01322	SEMI-FINISH SLEEVE 94.00 X 99.00 X 170.60 X 100.00 X 3.90 ('PEUGEOT 504D505DXD2/XD2PXD2S)	PEUGEOT	504 D, 505 DXD2 / XD2P / XD2S		
AECO-NP-06257	SEMI-FINISH SLEEVE 100.00 X 105.00 X 144.70 X 106.88 X 5.15 (PORSCHE M44, 964, 924, 944)	PORSCHE	M44, 964, 924, 944		CENTRIFUGAL # A4821
C411R03000000Y	CYLINDER LINER (PLAIN BORE) RENAULT (STD) DIA.-71.00MM (71.00 X 75.10 X 123.00 X 79.55 X 10.50)	RENAULT	-		
C411R03020000N	CYLINDER LINER (PLAIN BORE) RENAULT 800 R4, R5 (DIA.-58.00MM)	RENAULT	800 R4, R5		FADECYA # UCO1174
C411R03370000N	CYLINDER LINER (PLAIN BORE) RENAULT 807, R9/11/12/15/16/18 (DIA.-77.00MM) AR	RENAULT	807, R9/11/12/15/16/18		CENTRIFUGAL & FADECYA # UCO1261

Item Code	Description	Engine	Model	O.E.M. No	Reference No
C411R03030000N	CYLINDER LINER (PLAIN BORE) RENAULT 810, R12 (DIA.- 73.00MM)	RENAULT	810, R12		KS # 88544110 & CENTRIFUGAL # UCO927 & FADECYA # UCO0927
C411R03040000N	CYLINDER LINER (PLAIN BORE) RENAULT 841/843, R12/16/17/18/20 (DIA.- 79.00MM)	RENAULT	841/843, R12/16/17/1 8/20		MAHLE # 021WN14 FADECYA # UCO1331 & AE # CH 5199200
AECO-NP-06258	CYLINDER LINER (PLAIN BORE) RENAULT 847, R4, R4F/L/S (65.00 X 80.00 X 131.00 X 90.20 X 94.85)	RENAULT	847, R4, R4F/L/S		CENTRIFUGAL # UCO967 & FADECYA # UCO0967
C411R03050000N	CYLINDER LINER (PLAIN BORE) RENAULT 847, R18L/R18TL (DIA.- 76.00MM)	RENAULT	847, R18L/R18TL		AE # CH 5230200 KS # 89060110 MAHLE # 021WN23 FADECYA & CENTRIFUGAL # UCO1081
AECO-NP-06437	CYLINDER LINER (PLAIN BORE) RENAULT C7, F7 (73.00 X 80.54 X 134.00 X 92.20 X 95.00)	RENAULT	C7, F7		FADECYA # UCO1339
C411R03160000N	CYLINDER LINER (PLAIN BORE) RENAULT R16, 821(9CV)/807 (DIA.-77.00MM)	RENAULT	R16, 821(9CV)/80 7		KS # 88-512- 110; MAHLE # 021-WN -13 & AE # CH 5055200
C411R03170000N	CYLINDER LINER (PLAIN BORE) RENAULT R18 (TURBO) DIA.- 86.00MM	RENAULT	R18 (TURBO)		KS # 9309110 & FADECYA # UCO1407
C411R03180000N	CYLINDER LINER (PLAIN BORE) RENAULT R18 D (DIA.-86.00MM)	RENAULT	R18 D		AE # CH5293200 KS # 89097110 & MAHLE # 021WN29

Item Code	Description	Engine	Model	O.E.M. No	Reference No
AE13163	CYLINDER LINER (PLAIN BORE) RENAULT R20, R21, R25 GTX, TRAFIC, MASTER & ESCAPE (DIA.- 88.00MM) 88 X 93 X 143.50 X 104 X 93.10	RENAULT	R20, R21, R25 GTX, TRAFIC, MASTER & ESCAPE	039WN3300 & 039WN3301	MAHLE # 039WN3300 & 039WN3301
C411R03230000N	CYLINDER LINER (PLAIN BORE) RENAULT R21 (88.00 X 93.55 X 148.60 X 104.00 X 93.00)	RENAULT	R21	*	CENTRIFUGAL & FADECYA # UCO1189
AECO-NP-06436	CYLINDER LINER (PLAIN BORE) RENAULT R4 GTL, R6 (68.00 X 80.54 X 131.00 X 90.25 X 95.02)	RENAULT	R4 GTL, R6		FADECYA # UCO1139
C411R03140000N	CYLINDER LINER (PLAIN BORE) RENAULT R4/R5, GTL (DIA.- 70.00MM)	RENAULT	R4/R5, GTL		FADECYA # UCO1182
C411R03260000N	CYLINDER LINER (PLAIN BORE) RENAULT R5 (DIA.-65.00MM)	RENAULT	R5		
C411B05030000N	CYLINDER LINER (PLAIN BORE) RENAULT R6 & BERLIET RVI - MIDR 602.026 (DIA-102.00MM)	RENAULT	R6, MIDR 0602.026	OEM # 89464110 & 592WN11	KS # 89464110 & MAHLE # 592WN11
C411R03290000N	CYLINDER LINER (PLAIN BORE) RENAULT R9 (1.300) DIA.- 73.00MM	RENAULT	R9 (1.300)		
C411R03220000N	CYLINDER LINER (PLAIN BORE) RENAULT R9 (1400),R19 (DIA.- 75.80MM)	RENAULT	R9 (1400), R19		FADECYA # UCO1323
C411R03280000N	CYLINDER LINER (PLAIN BORE) RENAULT R9, R11, R19, SUPER-5 (CLIO) DIA.-71.50MM	RENAULT	R9, R11, R19, SUPER- 5 (CLIO)		
SLVF00088	FULLY FINISH SLEEVE 135.00 X 143.00 X 286.00 X 147.00 X 7.00 (FULLY BLACK FINISH) RENAULT / RVI MIDR 635.40 (TURBO)	RENAULT	MIDR 635.40 (TURBO)	OEM # 5000154954 & 5000773478 & 2460	MAHLE # 209WT07 KS # 88031110 & BF # 20042263500
SLVF00051	FULLY FINISH SLEEVE 135.00 X 143.00 X 286.00 X 149.00 X 7.30 (FULLY BLACK FINISH) RENAULT / RVI MIDR 635.40 (TURBO)	RENAULT	MIDR 635.40 (TURBO)	OEM # 5000659461 & 3101	KS # 89085110 MAHLE # 209WT15 & BF # 20042263501

Item Code	Description	Engine	Model	O.E.M. No	Reference No
SLVF00086	FULLY FINISH SLEEVE 135.00 X 143.00 X 287.60 X 149.00 X 7.58 X 1.02 (FULLY BLACK FINISH) RENAULT / RVI MIDR 635.40 (TURBO)	RENAULT	MIDR 635.40	OEM # 5000678033	MAHLE # 209WT18 KS # 89451110 & BF # 20042263504
SLVS00666	SEMI-FINISH SLEEVE 78.00 X 81.00 X 149.00 X 83.50 X 4.50 (RENAULT R5,R9,R11)	RENAULT	R5, R9, R11		GOETZE # 1402373000
SLVS01528	SEMI-FINISH SLEEVE 81.00 X 85.05 X 151.00 X 86.05 X 5.00 (RENAULT R5/9/11/19/21)	RENAULT	R5/9/11/19/21		
C411R06030000Y	CYLINDER LINER (PLAIN BORE) ROBSON RB (DIA.-171.45MM)	ROBSON	RB		
C411R06020000N	CYLINDER LINER (PLAIN BORE) ROBSON RC (22 HP) DIA.-158.75MM	ROBSON	RC (22 HP)		
C411R10020000N	CYLINDER LINER (PLAIN BORE) RUMANIA D-15/17 (DIA.-140.00MM)	RUMANIA	D-15/17		
C411R10050000N	CYLINDER LINER (PLAIN BORE) RUMANIA U-800 (DIA.-110.00MM)	RUMANIA	U-800		
C411R10040000N	CYLINDER LINER (PLAIN BORE) RUMANIA UTB-500,UTB-650 (DIA.-108.00MM)	RUMANIA	UTB-500, UTB-650	OEM # 10301106	
SLVS03549	SEMI-FINISH SLEEVE 95.00 X 103.00 X 187.50 (RUMANIA UTB)	RUMANIA	UTB		
C411R11010000N	CYLINDER LINER (PLAIN BORE) RUSSIA - D24; 6 HP (DIA.-85.00MM)	RUSSIAN BELARUS	D-24 (6 H.P.)		
C411R11020000N	CYLINDER LINER (PLAIN BORE) RUSSIA DT-75 (DIA.-120.00MM)	RUSSIAN BELARUS	DT-75		
C411R13000000N	CYLINDER LINER (PLAIN BORE) RUSSIAN BELARUS (DIA.-105.00MM)	RUSSIAN BELARUS	-		
C411R13010000N	CYLINDER LINER (PLAIN BORE) RUSSIAN BELARUS MTZ-50,MTZ-80 (DIA.-110.00MM)	RUSSIAN BELARUS	MTZ-50, MTZ-80		CENTRIFUGAL # UCO4661

Item Code	Description	Engine	Model	O.E.M. No	Reference No
C411R12020017N	CYLINDER LINER (PLAIN BORE) RUSSIAN T-62 (DIA.-120.00MM) BRIGHT BODY	RUSSIAN BELARUS	T-62		
AECO-NP-08202	CYLINDER LINER(PLAIN BORE)RUSSIAN BELARUS 110(DIA.-110.00MM)110.00 X 125.00 X 246.00 X 133.00 X 9.12 X 117.00 X 1.00	RUSSIAN BELARUS	110		
C411R14450000N	CYLINDER LINER (PLAIN BORE) RUSTON VTH (DIA.-101.60MM)	RUSTON	VTH		
C411R14470000N	CYLINDER LINER (PLAIN BORE) RUSTON YB (DIA.-88.90MM)	RUSTON	YB		
C411R14490000N	CYLINDER LINER (PLAIN BORE) RUSTON YD (DIA.-111.176MM)	RUSTON	YD		
C411R14520000N	CYLINDER LINER (PLAIN BORE) RUSTON YE (DIA.-127.00MM)	RUSTON	YE		
C411S05020027N	CYLINDER LINER (PLAIN BORE) SAVIEM 102 (3RR) (DIA.- 102.00MM) FULLY BLACK FINISH	SAVIEM	102		
C411S05030009N	CYLINDER LINER (PLAIN BORE) SAVIEM 712/714 & RVI (2RR) DIA.-98.00MM	SAVIEM	712 / 714		AE #=CH 5196200 (2 SEALS)
C411S05050009N	CYLINDER LINER (PLAIN BORE) SAVIEM 797, U5M 62 (2RR) DIA.- 102.00MM	SAVIEM	797		
C411S05060000N	CYLINDER LINER (PLAIN BORE) SAVIEM 798/ROMAN DIESEL 798/RVI (2RR) DIA.-102.00MM	SAVIEM	798 / ROMAN DIESEL 798		AE # CH5332200 (2 SEALS) MAHLE # 592WN09 & KS # 89173110
C411S05010027N	CYLINDER LINER (PLAIN BORE) SAVIEM 98 (3RR) (DIA.- 98.00MM) FULLY BLACK FINISH	SAVIEM	98		

Item Code	Description	Engine	Model	O.E.M. No	Reference No
C411S06010000N	CYLINDER LINER (PLAIN BORE) SCANIA D11 (DIA.-127.00MM)	SCANIA	D11	230150, 219938, 363305, 156000 & 1120689	AE # SJ351072 KS # 88414110 MAHLE # 061WN04 & BODEKS # 06103070
C411S06170000Y	CYLINDER LINER (PLAIN BORE) SCANIA D8,DT82 (NEW) DIA.- 115.00MM	SCANIA	D8, DT82 (NEW)		KS # 89088110 & CENTRIFUGAL # UCO6121
C411S06190000Y	CYLINDER LINER (PLAIN BORE) SCANIA DC11,DSC12,DC16,124 (NEW) OR SAAB (DIA.- 127.00MM)	SCANIA	DC11, DSC12, DC16, 124 (NEW)	1868157, 1382183, 1484492 & 551354	KS # 89541110 MAHLE # 061WN17 & BF # 20040712000
C411S06240000N	CYLINDER LINER (PLAIN BORE) SCANIA DC9,DSC9 (DIA.- 115.00MM)	SCANIA	DC9, DSC9		AE # RSL76710 & MAHLE BRAZIL # C9227 (C76200)
AE13499	CYLINDER LINER (PLAIN BORE) SCANIA DS14, DSC14 (DIA.- 127.00MM)	SCANIA	DS14, DSC14	230151, 170690, 231276 & 4685	KS # 88568110 & MAHLE # 061WN13
C411S06080000N	CYLINDER LINER (PLAIN BORE) SCANIA DS8 (DIA.-115.00MM)	SCANIA	DS8		CENTRIFUGAL # UCO4539
C411S06090007N	CYLINDER LINER (PLAIN BORE) SCANIA DS9,DSC9 OR SAAB (DIA.- 115.00MM) TNZ	SCANIA	DS9, DSC9	OEM # 1319247 & 348967	KS # 89385110 MAHLE # 061WN11 AE # SJ351292 BODEKS # 06103010 & CENTRIFUGAL # UCO6121
C411S06230000N	CYLINDER LINER (PLAIN BORE) SCANIA DSC14 (EURO-2) DIA.- 127.00MM	SCANIA	DSC14 (EURO- 2)		

Item Code	Description	Engine	Model	O.E.M. No	Reference No
C411S06160008Y	CYLINDER LINER (PLAIN BORE) SCANIA S111 (DIA.-127.00MM) VB	SCANIA	S111		
AECO-NP-08192	CYLINDER LINER(PLAIN BORE)SCANIA D8(OLD)DIA.- 115.00MM(115.00 X 130.00 X 271.00 X 137.30 X 8.075 X 124.80 X 0.775)	SCANIA	D8		
AECO-NP-06440	CYLINDER LINER(PLAIN BORE)SCANIA DSC9(115.00 X 127.97 X 257.30 X 140.78 X 8.27 X 133.97 X 0.85)	SCANIA	DSC9	1344720	FADECYA # UCO2154
C411S07030000N	CYLINDER LINER (PLAIN BORE) SENDLING DM-15 (DIA.- 118.00MM)	SENDLING	DM-15		
C411S08020000N	CYLINDER LINER (PLAIN BORE) SHIBAURA GD-105 (DIA.- 85.00MM)	SHIBAURA	GD-105		
C411S08030000N	CYLINDER LINER (PLAIN BORE) SHIBAURA GD-65 (DIA.- 75.00MM)	SHIBAURA	GD-65		
C411S08040000N	CYLINDER LINER (PLAIN BORE) SHIBAURA GD-75 (DIA.- 80.00MM)	SHIBAURA	GD-75		
C411S08050000Y	CYLINDER LINER (PLAIN BORE) SHIBAURA GD-85 (DIA.- 82.00MM)	SHIBAURA	GD-85		
C411S08060000Y	CYLINDER LINER (PLAIN BORE) SHIBAURA GD-90 (DIA.- 80.00MM)	SHIBAURA	GD-90		
C411S09010000Y	CYLINDER LINER (PLAIN BORE) SIFENG S-1100 (DIA.-100.00MM)	SIFENG	S-1100		
C411S11000000N	CYLINDER LINER (PLAIN BORE) SKODA (DIA.-75.50MM)	SKODA	-		KS # 89.351.110
AECO-NP-06441	CYLINDER LINER (PLAIN BORE) SKODA 706R (125.00 X 139.97 X 308.70 X 148.80 X 10.05 X 0.70)	SKODA	706R		FADECYA # UCO0486
C411S11010000N	CYLINDER LINER (PLAIN BORE) SKODA S-110 (DIA.-110.00MM)	SKODA	S-110		

Item Code	Description	Engine	Model	O.E.M. No	Reference No
C391S12010000N	CYLINDER LINER (H/C BORE) SLAVIA D-12 (DIA.-145.00MM)	SLAVIA	D-12		
C411S12010000N	CYLINDER LINER (PLAIN BORE) SLAVIA D-12 (DIA.-145.00MM)	SLAVIA	D-12		
C411S12020000N	CYLINDER LINER (PLAIN BORE) SLAVIA D-15 (DIA.-155.00MM)	SLAVIA	D-15		
C411S12030000N	CYLINDER LINER (PLAIN BORE) SLAVIA D-5 (DIA.-100.00MM)	SLAVIA	D-5		
C411S12040000N	CYLINDER LINER (PLAIN BORE) SLAVIA D-8 (DIA.-120.00MM)	SLAVIA	D-8		
C411S12070000N	CYLINDER LINER (PLAIN BORE) SLAVIA IS-100K (DIA.- 100.00MM)	SLAVIA	IS-100K		
C411S14020000N	CYLINDER LINER (PLAIN BORE) STEYR WD 113/213/413 (DIA.- 110.00MM)	STEYR	WD 113/213/413		
C411S14030000N	CYLINDER LINER (PLAIN BORE) STEYR WD 408 (768) DIA.- 100.00MM	STEYR	WD 408 (768)		KS # (OLD) 89006110 (NEW) 89182110 & MAHLE # 321WN04
AECO-NP-06944	SEMI-FINISH SLEEVE 108.00 X 111.02 X 218.00 X 115.50 X 4.78 (STEYR WD612.61/WD612.63/WD612.6 5)	STEYR	WD612.61/W D612.63/WD 612.65		MAHLE # 321WT06
AECO-NP-06980	SEMI-FINISH SLEEVE 126.00 X 130.00 X 241.00 X 134.30 X 4.75 (STEYR WD615)	STEYR	WD615	6150001001 4 & 6150001031 9	GOETZE # 1402824000
SLVF00197	FULLY FINISH SLEEVE 52.00 X 59.00 X 119.00 X 67.00 X 4.10 (SUZUKI B-120) AS PER SAMPLE	SUZUKI	4JB1		
SLVF00193	FULLY FINISH SLEEVE 79.00 X 86.13 X 138.00 (SUZUKI - OUTBOARD MOTOR)	SUZUKI			

Item Code	Description	Engine	Model	O.E.M. No	Reference No
SLVS00391	SEMI-FINISH SLEEVE 62.00 X 66.00 X 120.00 (SUZUKI F8A)	SUZUKI	F8A		
SLVS00424	SEMI-FINISH SLEEVE 65.00 X 68.00 X 130.00 (SUZUKI)	SUZUKI	-		
SLVS00442	SEMI-FINISH SLEEVE 65.50 X 69.55 X 127.00 (SUZUKI F10A)	SUZUKI	F10A		
SLVS00554	SEMI-FINISH SLEEVE 74.00 X 78.00 X 170.00 (SUZUKI)	SUZUKI	-		
SLVS00336	SEMI-FINISH SLEEVE 74.00 X 79.00 X 180.00 (SUZUKI JEEP)	SUZUKI	JEEP		
AECO-NP-06636	SEMI-FINISH SLEEVE 83.00 X 86.00 X 153.50 X 89.00 X 4.80 (SUZUKI XUD9A)	SUZUKI	XUD9A	K89184190, M039WV21 & M039WV32	ARCO # CLSU408301S
SLVS02130	SEMI-FINISH SLEEVE 88.00 X 91.00 X 170.00 (SUZUKI OR NISSAN/DATSUN Z24)	SUZUKI	QD32		
A011T04010000N	AIR COOLED CYLINDER BLOCK (PLAIN BORE) TATRA 815 (T3-928,929,930) DIA.-120.00MM	TATRA	815 (T3-928, 929, 930)		KS # 89350110
C411T06210000Y	CYLINDER LINER (PLAIN BORE) TOYOTA 2D (NEW MODEL) DIA.-105.00MM	TOYOTA	2D (NEW MODEL)	OEM # 1146177021	
C411T06200000Y	CYLINDER LINER (PLAIN BORE) TOYOTA 2D (OLD MODEL) DIA.-105.00MM	TOYOTA	2D	OEM # 1146177040 & 1146177015	
AECO-NP-06967	CYLINDER LINER (PLAIN BORE) TOYOTA D (DIA.-100.00MM) 6 CYL	TOYOTA	D	1146176020	DIA # TYCL10001F
SLVF00144	FULLY FINISH SLEEVE 104.00 X 107.00 X 201.00 X 112.00 X 8.00 X 107.00 X 0.90 (TOYOTA 1W) FULLY BLACK FINISH	TOYOTA	1W		ARCO # CLT0410401F
SLVF00165	FULLY FINISH SLEEVE 105.00 X 115.75 X 242.34 X 119.77 X 10.17 (TOYOTA DA110,DA115)	TOYOTA	DA110, DA115		AE # RSL80701
AECO-NP-06965	FULLY FINISH SLEEVE 91.00 X 94.00 X 184.00 X 101.00 X 2.50 X 94.00 X 1.20 (TOYOTA 2H) OLD	TOYOTA	2H (OLD)	1146196601	DIA. # TYCS09101F

Item Code	Description	Engine	Model	O.E.M. No	Reference No
SLVS03221	SEMI-FINISH SLEEVE 102.00 X 106.00 X 187.50 X 111.70 X 2.50 X 106.00 X 1.00 (TOYOTA 3B)	TOYOTA	3B	1146158010, 1146158020 & 1146158040	ARCO # CLTO410201S
SLVS00059	SEMI-FINISH SLEEVE 102.00 X 106.00 X 192.00 (TOYOTA 14B)	TOYOTA	14B	OEM # 1146258040	DIA # TYCS10203S
SLVS02883	SEMI-FINISH SLEEVE 108.00 X 112.00 X 200.00 X 117.00 X 2.50 (TOYOTA 15B)	TOYOTA	15B	OEM # 1146158090 (WITH COLLAR)	ARCO # CLTO410801S
AECO-NP-06362	SEMI-FINISH SLEEVE 73.00 X 76.32 X 170.00 (TOYOTA 2E-L)	TOYOTA	2E-L		AE # RSF2812- 3000
SLVS04139	SEMI-FINISH SLEEVE 74.00 X 78.00 X 136.00 X 82.00 X 2.50 (TOYOTA 1N)	TOYOTA	1N		ARCO # CLT0407401S
AECO-NP-06363	SEMI-FINISH SLEEVE 75.00 X 79.49 X 170.00 (TOYOTA 3K, 4K)	TOYOTA	3K, 4K		AE # RSF2937- 3125
SLVS00757	SEMI-FINISH SLEEVE 80.500 X 84.607 X 143.967 (TOYOTA 12R)	TOYOTA	12R		AE # SU4264
AECO-NP-06640	SEMI-FINISH SLEEVE 82.20 X 86.20 X 151.00 X 88.20 X 5.00 (TOYOTA 1CD-FTV)	TOYOTA	1CD-FTV		ARCO # CLT0408221S
SLVS03989	SEMI-FINISH SLEEVE 83.00 X 87.00 X 144.00 (TOYOTA 1C)	TOYOTA	1C	OEM # 1146164010 & 1146164011	ARCO # CLTO408301P
AECO-NP-06369	SEMI-FINISH SLEEVE 83.00 X 87.43 X 170.00 (TOYOTA 5MGE)	TOYOTA	5MGE		AE # RSF3250- 3437
AECO-NP-06443	SEMI-FINISH SLEEVE 83.00 X 87.76 X 148.00 X 89.35 X 4.76 (TOYOTA 1C, 1CL, 1.8L)	TOYOTA	1C, 1CL, 1.8L		FADECYA # A2050
SLVS00832	SEMI-FINISH SLEEVE 84.00 X 88.00 X 150.00 (TOYOTA 21R)	TOYOTA	21R		
AECO-NP-06448	SEMI-FINISH SLEEVE 85.00 X 89.76 X 158.00 X 91.35 X 4.76 (TOYOTA 2T, 2TB, 2TC)	TOYOTA	2T, 2TB, 2TC		FADECYA # A0368

Item Code	Description	Engine	Model	O.E.M. No	Reference No
SLVS00923	SEMI-FINISH SLEEVE 86.00 X 90.00 X 150.00 (TOYOTA 2C,2CT,3C,3CT)	TOYOTA	2C, 2CT, 3C, 3CT	OEM # 1146164090 & 1146164110 (W/O COLLAR)	ARCO # CLT0408601S
AECO-NP-06648	SEMI-FINISH SLEEVE 86.00 X 90.00 X 180.00 X 93.00 X 5.00 (TOYOTA 1DZ)	TOYOTA	1DZ	1146178020 & 1146178200	ARCO # CLTO408603S
AECO-NP-06449	SEMI-FINISH SLEEVE 86.00 X 90.76 X 139.00 X 92.35 X 4.76 (TOYOTA 1Y, 2Y, 3Y)	TOYOTA	1Y, 2Y, 3Y		FADECYA # A1964
AECO-NP-06450	SEMI-FINISH SLEEVE 88.00 X 92.76 X 146.10 X 94.35 X 4.76 (TOYOTA 3R, 3RB, 3RC)	TOYOTA	3R, 3RB, 3RC		FADECYA # A1542
AECO-NP-06651	SEMI-FINISH SLEEVE 88.00 X 93.00 X 183.50 X 98.00 X 2.50 X 93.00 X 1.00 (TOYOTA 2J)	TOYOTA	2J	1146147011, 1146148010 & 1146148011	ARCO # CLTO408801S
AECO-NP-06452	SEMI-FINISH SLEEVE 88.50 X 93.26 X 146.10 X 94.85 X 4.76 (TOYOTA 2L, 8L, 16R)	TOYOTA	2L, 8L, 16R		FADECYA # A1580
SLVS01067	SEMI-FINISH SLEEVE 90.00 X 94.00 X 160.50 X 100.90 X 3.50 X 94.00 X 1.20 (TOYOTA L)	TOYOTA	L	OEM # 1146154010	ARCO # CLTO409001S
AECO-NP-06360	SEMI-FINISH SLEEVE 90.00 X 95.37 X 170.00 (TOYOTA 4Y)	TOYOTA	4Y		AE # RSM90095
SLVS04969	SEMI-FINISH SLEEVE 91.00 X 95.00 X 183.50 X 101.00 X 2.50 X 95.00 X 1.00 (TOYOTA 2H)	TOYOTA	2H	OEM # 1146168010	ARCO # CLTO609101S
SLVS01215	SEMI-FINISH SLEEVE 92.00 X 96.00 X 160.50 X 101.00 X 3.50 X 96.00 X 1.20 (TOYOTA 2L)	TOYOTA	2L	OEM # 1146154030 & 1146154060	ARCO # CLT0409201S & DIA # TYCS09201S
SLVS02731	SEMI-FINISH SLEEVE 92.00 X 96.00 X 170.00 X 101.00 X 4.50 (TOYOTA 2KDFTV)	TOYOTA	2KDFTV	OEM # 114610L020	ARCO # CLT0409202S
SLVS02734	SEMI-FINISH SLEEVE 94.00 X 98.00 X 168.00 X 103.00 X 2.50 (TOYOTA 1HZT)	TOYOTA	1HZT	OEM # 1146117010	
AECO-NP-06966	SEMI-FINISH SLEEVE 94.00 X 98.00 X 168.50 (TOYOTA 1HZ)	TOYOTA	1HZ	1146217010	DIA # TYCS09401S

Item Code	Description	Engine	Model	O.E.M. No	Reference No
SLVS01305	SEMI-FINISH SLEEVE 94.00 X 98.00 X 190.00 (TOYOTA 2F,1HZ)	TOYOTA	2F, 1HZ	OEM # 32A0700300	ARCO # CLMI409402P
AECO-NP-06653	SEMI-FINISH SLEEVE 95.00 X 100.00 X 190.00 X 107.60 X 2.50 X 100.00 X 1.10 (TOYOTA B)	TOYOTA	B	1146156010	ARCO # CLTO409501S
SLVS04730	SEMI-FINISH SLEEVE 95.00 X 102.00 X 190.00 X 107.60 X 2.50 X 102.00 X 1.00 (TOYOTA B)	TOYOTA	B	OEM # 1146156020	ARCO # CLT040952S
SLVS01351	SEMI-FINISH SLEEVE 95.00 X 102.07 X 190.22 X 107.75 X 2.55 X 102.00 X 1.20 (TOYOTA B,BU35)	TOYOTA	B, BU35		AE # SU351232
SLVS01368	SEMI-FINISH SLEEVE 95.00 X 99.00 X 190.00 X 105.00 X 2.50 X 99.00 X 1.20 (TOYOTA B)	TOYOTA	B	OEM # 1146156030	DIA # TYCS09503S
SLVS01373	SEMI-FINISH SLEEVE 95.00 X 99.00 X 192.00 (TOYOTA 11B)	TOYOTA	11B	OEM # 1146256060	ARCO # CLT0409503P & DIA # TYCU09504S
SLVS02884	SEMI-FINISH SLEEVE 96.00 X 100.00 X 182.50 X 105.80 X 8.00 (TOYOTA 1KZ,1Z)	TOYOTA	1KZ, 1Z	1146178300, 1146178301 & 1146178360	ARCO # CLTO409602S & CENTRIFUGAL # UC6145
SLVS01395	SEMI-FINISH SLEEVE 96.00 X 100.00 X 182.50 X 106.00 X 8.00 (TOYOTA 1Z)	TOYOTA	1Z	OEM # 1146178300	DIA # TYCS09601S & TYCS09601S/6
SLVS03990	SEMI-FINISH SLEEVE 96.00 X 100.00 X 185.00 X 105.00 X 4.50 (TOYOTA 1KDFTV)	TOYOTA	1KDFTV		ARCO # CLTO409606S
SLVS01397	SEMI-FINISH SLEEVE 96.00 X 100.00 X 190.00 X 108.00 X 2.50 X 100.00 X 1.00 (TOYOTA 3L)	TOYOTA	3L	OEM # 1146154100	DIA # TYCS09602S
SLVS02732	SEMI-FINISH SLEEVE 96.00 X 99.00 X 170.00 X 105.00 X 4.50 (TOYOTA 1KDFTV)	TOYOTA	1KDFTV	OEM # 1146130020	

Item Code	Description	Engine	Model	O.E.M. No	Reference No
AECO-NP-06661	SEMI-FINISH SLEEVE 98.00 X 101.00 X 181.50 X 107.00 X 5.00 (TOYOTA 2Z)	TOYOTA	2Z	1146178400 & 1146178700	ARCO # CLT0409802S
SLVS01454	SEMI-FINISH SLEEVE 98.00 X 102.00 X 190.00 X 108.00 X 2.50 X 102.00 X 1.20 (TOYOTA 2B)	TOYOTA	2B	OEM # 1146157010	DIA # TYCS09801S
SLVS02733	SEMI-FINISH SLEEVE 99.50 X 103.50 X 155.00 X 104.50 X 4.00 (TOYOTA 5L)	TOYOTA	5L	OEM # 1146154120	ARCO # CLT0409951S
SLVS04971	SEMI-FINISH SLEEVE 99.50 X 103.50 X 160.50 X 108.00 X 4.00 (TOYOTA 5L)	TOYOTA	5L		
SLVS04968	SEMI-FINISH SLEEVE 99.50 X 103.50 X 190.00 (TOYOTA 5L)	TOYOTA	5L	OEM # 1146154130	ARCO # CLT0409951P
C411T07000018N	CYLINDER LINER (PLAIN BORE) TRIUMPH CL-3260A (DIA.- 88.96MM)	TRIUMPH	CL-3260A		CLIENT REF # CL3260A
C411T07000019N	CYLINDER LINER (PLAIN BORE) TRIUMPH CL-3260B (DIA.- 88.96MM)	TRIUMPH	CL-3260B		
C411T07050000N	CYLINDER LINER (PLAIN BORE) TRIUMPH TR-2, TR-3 (DIA.- 83.00MM)	TRIUMPH	TR-2, TR-3		AE #- SJ2419ZW & CL2419
C411T07070000N	CYLINDER LINER (PLAIN BORE) TRIUMPH TR-4 (STD) DIA.- 3.3855"/85.99MM (CL-3260)	TRIUMPH	TR 4		
SLVS00550	SEMI-FINISH SLEEVE 73.64 X 77.06 X 135.10 (TRIUMPH 13/601300 (1296CC))	TRIUMPH	13/601300 (1296CC)		CLIENT REF # CL3875
AECO-NP-06269	CYLINDER LINER (PLAIN BORE) VALMET TRACTOR (108.000 X 123.00 X 218.00 X 131.70 X 9.03)	VALMET TRACTOR			CENTRIFUGAL # UCO4534 & FADECYA # UCO0630
C411V01020000N	CYLINDER LINER (PLAIN BORE) VALMET TRACTOR (DIA.- 108.00MM)	VALMET TRACTOR			
C411V01010000N	CYLINDER LINER (PLAIN BORE) VALMET TRACTOR (DIA.- 98.42MM)	VALMET TRACTOR			

Item Code	Description	Engine	Model	O.E.M. No	Reference No
C411V01030000N	CYLINDER LINER (PLAIN BORE) VALMET TRACTOR 128/148 (DIA.- 102.00MM)	VALMET TRACTOR	128/148		
C411V01020000Y	CYLINDER LINER (PLAIN BORE) VALMET TRACTOR OR VALTRA (DIA.-108.00MM)	VALMET TRACTOR			
AECO-NP-06456	CYLINDER LINER (PLAIN BORE) VOLKSWAGEN 70.30 X 80.95 X 134.00 X 89.10 X 94.81	VOLKSWAGEN			FADECYA # UCO1404
SLVS05066	SEMI-FINISH SLEEVE 67.10 X 72.00 X 130.00 X 74.00 X 4.90 (VOLKSWAGEN)	VOLKSWAGEN	-		CENTRIFUGAL # A4839 & FADECYA # AE3005
SLVS00579	SEMI-FINISH SLEEVE 75.00 X 78.00 X 133.00 X 81.00 X 4.50 (VOLKSWAGEN POLO 1.3 LTR DIESEL)	VOLKSWAGEN	POLO 1.3 LTR DIESEL		
AECO-NP-06276	SEMI-FINISH SLEEVE 75.00 X 79.80 X 148.00 X 81.37 X 4.80 (VOLKSWAGEN)	VOLKSWAGEN	-		CENTRIFUGAL # A4958
SLVS00642	SEMI-FINISH SLEEVE 76.50 X 80.00 X 145.00 X 81.50 X 4.70 (VOLKSWAGEN GOLF-D)	VOLKSWAGEN	GOLF-D		
SLVS03993	SEMI-FINISH SLEEVE 76.50 X 81.26 X 147.00 X 82.85 X 4.76 (VOLKSWAGEN 1.6D) STD	VOLKSWAGEN	1.6D		FADECYA # A1776
SLVS00682	SEMI-FINISH SLEEVE 79.00 X 82.50 X 152.00 X 85.50 X 4.70 (VOLKSWAGEN GOLF-D (TURBO) SPL. SIZE	VOLKSWAGEN	GOLF-D (TURBO)		
SLVS03995	SEMI-FINISH SLEEVE 81.00 X 85.26 X 156.00 X 87.35 X 4.76 (VOLKSWAGEN OR FORD NAFTA 1.8L) STD	VOLKSWAGEN	1.8L		FADECYA # A1786
C411V07330000N	CYLINDER LINER (PLAIN BORE) VOLVO D12,D12B,D12C,EURO- 2,FH12 (DIA.-131.00MM)	VOLVO	D12, D12B, D12C, EURO- 2, FH12	OEM # 20509929	CENTRIFUGAL # UCO4831 & MAHLE # 037WN48
C411V07280000N	CYLINDER LINER (PLAIN BORE) VOLVO D12A,FH12 (DIA.- 131.00MM)	VOLVO	D12A, FH12	OEM # 276928	MAHLE # 037WN35 KS # 89460110 & CENTRIFUGAL # UCO6141

Item Code	Description	Engine	Model	O.E.M. No	Reference No
C411V07040000N	CYLINDER LINER (PLAIN BORE) VOLVO D42 OR BOLINDER MUNKTELL 650 (DIA.- 105.57MM)	VOLVO	D42		
C411V07060000N	CYLINDER LINER (PLAIN BORE) VOLVO D50,TD50 (DIA.- 95.25MM)	VOLVO	D50, TD50	420090, 420094 & 2455	KS # 88470110 MAHLE # 037WN06 & BF # 20040405000
C411V07110000N	CYLINDER LINER (PLAIN BORE) VOLVO D60,TD60B,F6 (DIA.- 98.425MM)	VOLVO	D60, TD60B, F6	465170P06, 2808 & 275389	MAHLE # 037WN07 KS # 89016110 CENTRIFUGAL # UCO4907 & BF # 20040406000
C411V07090000N	CYLINDER LINER (PLAIN BORE) VOLVO D67A,MD70B,TD70A (DIA.-104.775MM)	VOLVO	D67A, MD70B, TD70A	OEM # 275383	GOETZE # 1457314000
C411V07400000N	CYLINDER LINER (PLAIN BORE) VOLVO D67A,MD70B,TD70A (DIA.-104.78MM) 104.78 X 117.00 X 257.00 X 127.00 X 11.66	VOLVO	D67A, MD70B, TD70A	OEM # 275641	CENTRIFUGAL # UCO1135
C411V07080000N	CYLINDER LINER (PLAIN BORE) VOLVO D70,TD70 (DIA.- 104.775MM)	VOLVO	D70, TD70	OEM # 421430P04 & 2820	KS # 88868110 MAHLE # 037WN11 & 20040407000
C411V07120000N	CYLINDER LINER (PLAIN BORE) VOLVO N10,TD100B (DIA.- 120.65MM)	VOLVO	N10, TD100B	OEM # 1545045	MAHLE # 037WN23 KS # 89175110 GOETZE # 1467320000 & BF # 20040410002

Item Code	Description	Engine	Model	O.E.M. No	Reference No
C411V07130000N	CYLINDER LINER (PLAIN BORE) VOLVO N88,D100,TD100A,TD100B,THD100,TMD100D (DIA.-120.65MM)	VOLVO	N88, D100, TD100A, TD100B, THD100, TMD100D	422090P06, 422093, 540167, 2456 & 275099	MAHLE # 037WN18 KS # 88476110 GOETZE # 1445052000 CENTRIFUGAL # UCO4506 FADECYA # UCO1378
C411V07160000N	CYLINDER LINER (PLAIN BORE) VOLVO TD100,TD101,THD101 (DIA.-120.65MM)	VOLVO	TD100, TD101, THD101		
C411V07290000N	CYLINDER LINER (PLAIN BORE) VOLVO TD120C,TD120D,TD120E,TD120F, TD120G,TD120GA,TMD120A,TAMD120D (DIA.-130.18MM)	VOLVO	TD120C, TD120D, TD120E, TD120F, TD120G, TD120GA, TMD120A, TAMD120D	OEM # 275386	MAHLE # 037WN22 & CENTRIFUGAL # UCO4595
C411V07320000N	CYLINDER LINER (PLAIN BORE) VOLVO TD120F,TD120G (DIA.-130.18MM)	VOLVO	TD120F, TD120G	OEM # 275398	GOETZE # 1445053000
C411V07300000N	CYLINDER LINER (PLAIN BORE) VOLVO TD121D,TD121G (DIA.-130.18MM)	VOLVO	TD121D, TD121G	275626, 470614 & 470286	CENTRIFUGAL # UCO4592 MAHLE # 037WN25 KS # 89328110 & GOETZE # 1445600000
C411V07310000N	CYLINDER LINER (PLAIN BORE) VOLVO TD122F,TD122FH,TD122FK,TD122FL,TD122FR,TD122KE (DIA.-130.18MM) BODY BLACK FINISH	VOLVO	TD122F, TD122FH, TD122FK, TD122FL, TD122FR, TD122KE	275633, 8120756, 478149 & 4649	CENTRIFUGAL # UCO4541 KS # 89399110 MAHLE # 037WN30 & GOETZE # 1445818000
AECO-NP-05404	CYLINDER LINER (PLAIN BORE) VOLVO TD123E (DIA.-130.18MM)	VOLVO	TD123E	275699 & 478382	CENTRIFUGAL # UCO4615

Item Code	Description	Engine	Model	O.E.M. No	Reference No
AECO-NP-05395	CYLINDER LINER (PLAIN BORE) VOLVO TD60B, TD60C, TD61G, TD61F (DIA.-98.425MM)	VOLVO	TD60B, TD60C, TD61G, TD61F	275394	CENTRIFUGAL # UCO4555
C411V07380000Y	CYLINDER LINER (PLAIN BORE) VOLVO TD63E,TD63ES (DIA.- 98.425MM)	VOLVO	TD63E, TD63ES	420534, 465808 & 3312	GOETZE # 1445934000 MAHLE # 037WN27 & KS # 89352110
C411V07410000N	CYLINDER LINER (PLAIN BORE) VOLVO TD71G,TD71FSQ,TD71ACE,TD71 APB,TD71FQK (DIA.- 104.775MM) 104.78 X 116.96 X 259.50 X 127.00 X 9.64	VOLVO	TD71G, TD71FSQ, TD71ACE, TD71APB, TD71FQK	OEM # 275628	CENTRIFUGAL # UCO4948
AECO-NP-06460	CYLINDER LINER(PLAIN BORE)VOLVO 5000,7000,8700(107.00x116.97x 256.50x129.40x9.38x?? X 0.98)	VOLVO	5000, 7000, 8700	20483013	FADECYA # UCO0616
C411V07010000N	CYLINDER LINER(PLAIN BORE)VOLVO TD100B,TD100BG,TD100F,TD100 G,THD100,TD101F,TD101FA,TD1 01FD,TD101G, THD101,THD102(DIA.- 120.65MM)	VOLVO	TD100B, TD100BG, TD100F, TD100G, THD100, TD101F, TD101FA, TD101FD, TD101G, THD101, THD102	275627, 479684 & 4717	CENTRIFUGAL # UCO4509 GOETZE # 1445817000 MAHLE # 037WN34 & KS # 89427110
AECO-NP-05402	CYLINDER LINER(PLAIN BORE)VOLVO TD100B,TD100F,TD100GA,TD10 1,TD101KC,TMD102,THD100,TH D100DB (DIA.-120.65mm)	VOLVO	TD100B, TD100F, TD100GA, TD101, TD101KC, TMD102, THD100, THD100DB	422864	CENTRIFUGAL # UCO4605

Item Code	Description	Engine	Model	O.E.M. No	Reference No
C411V07260000N	CYLINDER LINER(PLAIN BORE)VOLVO TD102,TD102F,TD102FD,TD102FDQ,TD102FF,TD102FQ(EURO-1)DIA.-120.65	VOLVO	TD102, TD102F, TD102FD, TD102FDQ, TD102FF, TD102FQ (EURO-1)	4630, 422840 & 275636	MAHLE # 037WN29 KS # 89431110 CENTRIFUGAL # UCO4540 EMMARK # EM6654 FADECYA # UCO2084
AECO-NP-06459	CYLINDER LINER(PLAIN BORE)VOLVO TWD 730(104.77 X 116.97 X 256.50 X 129.40 X 9.38 X ??? X 0.98)	VOLVO	TWD 730	3978541	FADECYA # UCO0611
AECO-NP-06043	SEMI-FINISH SLEEVE 63.50 X 69.00 X 100.50 (BENDIX - WESTINGHOUSE)	WESTINGHOUSE	-		CENTERIFUGAL # AL4588 & AL6173 (STD) & FADECYA # AL2123
AECO-NP-06045	SEMI-FINISH SLEEVE 69.85 X 74.00 X 102.00 (BENDIX - WESTINGHOUSE TU-FLO 700)	WESTINGHOUSE	TU-FLO 700		CENTERIFUGAL # AL6171 (STD)
AECO-NP-06278	SEMI-FINISH SLEEVE 79.38 X 84.10 X 206.40 X 85.70 X 4.80 (WESTINGHOUSE 2000)	WESTINGHOUSE	2000		CENTRIFUGAL # A1067 & FADECYA # A0002
SLVF00116	FULLY FINISH SLEEVE 78.00 X 84.08 X 124.00 (YAMAHA - OUTBOARD MOTOR / SPEED BOAT)	YAMAHA	TL-11		
SLVF00295	FULLY FINISH SLEEVE 79.00 X 86.14 X 138.00 (YAMAHA)	YAMAHA	-	S1121294400	
SLVF00297	FULLY FINISH SLEEVE 80.00 X 86.15 X 142.20 (YAMAHA)	YAMAHA	-	ST-3014L, 20690164	
SLVS05172	SEMI FINISH SLEEVE 82.00 X 87.50 X 138.00 (YAMAHA)	YAMAHA	-	S1121294400	
AECO-NP-06279	SEMI-FINISH SLEEVE 64.50 X 68.50 X 125.00 X 70.50 X 4.50 (YAMAHA DT180)	YAMAHA	DT180		CENTRIFUGAL # A6155
SLVS04446	SEMI-FINISH SLEEVE 66.00 X 70.00 X 126.00 X 72.00 X 4.50 (YAMAHA DT200)	YAMAHA	DT200		CENTRIFUGAL # A6156

Item Code	Description	Engine	Model	O.E.M. No	Reference No
SLVS04447	SEMI-FINISH SLEEVE 70.00 X 76.01 X 102.20 X 82.00 X 4.70 (YAMAHA XT225)	YAMAHA	XT225		CENTRIFUGAL # A6159
SLVS03281	SEMI-FINISH SLEEVE 90.00 X 96.12 X 131.00 (YAMAHA)	YAMAHA	-		
AECO-NP-06282	SEMI-FINISH SLEEVE 95.00 X 102.20 X 140.00 X 108.00 X 4.00 (YAMAHA XT600)	YAMAHA	XT600		CENTRIFUGAL # A6161
C391Y02020000N	CYLINDER LINER (H/C BORE) YANMAR 2F (DIA.-80.00MM)	YANMAR	2F		
C391Y02030000N	CYLINDER LINER (H/C BORE) YANMAR 2S (DIA.-85.00MM)	YANMAR	2S	OEM # 1242100113 1	
C391Y02080000N	CYLINDER LINER (H/C BORE) YANMAR 3ES (DIA.-115.00MM)	YANMAR	3ES		
C391Y02100000N	CYLINDER LINER (H/C BORE) YANMAR 3LK (DIA.-85.00MM)	YANMAR	3LK	OEM # 7242230183 0	
C391Y02300000N	CYLINDER LINER (H/C BORE) YANMAR ESD (DIA.-120.00MM)	YANMAR	ESD		
C391Y02320000N	CYLINDER LINER (H/C BORE) YANMAR G2 (DIA.-145.00MM)	YANMAR	G2		
C411Y02130000N	CYLINDER LINER (PLAIN BORE) YANMAR 2T,3T (DIA.-95.00MM)	YANMAR	2T, 3T	OEM # 1232200113 1	
C411Y02930000Y	CYLINDER LINER (PLAIN BORE) YANMAR 3EH (DIA.-115.00MM)	YANMAR	3EH		
C411Y02070000N	CYLINDER LINER (PLAIN BORE) YANMAR 3EH15 (DIA.-91.50MM)	YANMAR	3EH15		
C411Y02060000N	CYLINDER LINER (PLAIN BORE) YANMAR 3EKD/4EKD (DIA.-130.00MM)	YANMAR	3EKD/4EKD	OEM # 1264800113 1	
C411Y02090000N	CYLINDER LINER (PLAIN BORE) YANMAR 3L15 (DIA.-91.50MM)	YANMAR	3L15	OEM # 7303200190 0	
C411Y02110000N	CYLINDER LINER (PLAIN BORE) YANMAR 3M15 (DIA.-91.50MM)	YANMAR	3M15		

Item Code	Description	Engine	Model	O.E.M. No	Reference No
C411Y02960000Y	CYLINDER LINER (PLAIN BORE) YANMAR 3T84/YM-3300 (DIA.- 84.00MM)	YANMAR	3T84/YM- 3300	OEM # 7212500190 0	
C411Y02150027N	CYLINDER LINER (PLAIN BORE) YANMAR 4CH,6CH (DIA.- 105.00MM) FULLY BLACK FINISH	YANMAR	4CH, 6CH		
C411Y02180052Y	CYLINDER LINER (PLAIN BORE) YANMAR 4KL (DIA.-140.00MM) WHITE PAINTED BODY	YANMAR	4KL	OEM # 7354000185 0	
C411Y02200000N	CYLINDER LINER (PLAIN BORE) YANMAR 6BN (DIA.-155.00MM)	YANMAR	6BN	OEM # 7456100185 0	
C411Y02210027N	CYLINDER LINER (PLAIN BORE) YANMAR 6GH/6GX (DIA.- 117.90MM) FULLY BLACK FINISH	YANMAR	6GH/6GX		
C411Y02220010Y	CYLINDER LINER (PLAIN BORE) YANMAR 6HA (3 RR) DIA.- 130.00MM	YANMAR	6HA		
AECO-NP-06283	CYLINDER LINER (PLAIN BORE) YANMAR AE-1 (115.00 X 133.90 X 256.40 X 144.80 X 12.10)	YANMAR	AE-1		CENTRIFUGAL # UCO1150
AECO-NP-06289	CYLINDER LINER (PLAIN BORE) YANMAR BTD 22/33 (90.00 X 99.78 X 167.50 X 107.43 X 7.30)	YANMAR	BTD 22/33		CENTRIFUGAL # UCO9091
C411Y02230000N	CYLINDER LINER (PLAIN BORE) YANMAR D-10/F-10 (DIA.- 100.00MM)	YANMAR	D-10/F-10		
C411Y02240000N	CYLINDER LINER (PLAIN BORE) YANMAR D-4/F-4 (DIA.- 70.00MM)	YANMAR	D-4/F-4		
C411Y02250000N	CYLINDER LINER (PLAIN BORE) YANMAR D-5/F-5 (DIA.- 75.00MM)	YANMAR	D-5/F-5		
C411Y02260000N	CYLINDER LINER (PLAIN BORE) YANMAR D-6/F-6 (DIA.- 80.00MM)	YANMAR	D-6/F-6		

Item Code	Description	Engine	Model	O.E.M. No	Reference No
C411Y02270000N	CYLINDER LINER (PLAIN BORE) YANMAR D-7/F-7 (DIA.- 85.00MM)	YANMAR	D-7/F-7		
C411Y02280000N	CYLINDER LINER (PLAIN BORE) YANMAR D-8/F-8 (DIA.- 90.00MM)	YANMAR	D-8/F-8		
C411Y02310000N	CYLINDER LINER (PLAIN BORE) YANMAR F-9 (DIA.-95.00MM)	YANMAR	F-9		
C411Y02340000N	CYLINDER LINER (PLAIN BORE) YANMAR KD/4KD (DIA.- 145.00MM)	YANMAR	KD/4KD	OEM # 7353550185 0	
C411Y02350000N	CYLINDER LINER (PLAIN BORE) YANMAR LD/4LD (DIA.- 140.00MM)	YANMAR	LD/4LD	OEM # 1311100110 0	
C411Y02370000N	CYLINDER LINER (PLAIN BORE) YANMAR MD/4MD (DIA.- 100.00MM)	YANMAR	MD/4MD		
C411Y02380000N	CYLINDER LINER (PLAIN BORE) YANMAR N15Y (DIA.-110.00MM)	YANMAR	N15Y	OEM # 7033000190 0	
C411Y02390017N	CYLINDER LINER (PLAIN BORE) YANMAR N22Y (DIA.-140.00MM) BRIGHT BODY	YANMAR	N22Y	OEM # 7032000190 0	
C411Y02400000N	CYLINDER LINER (PLAIN BORE) YANMAR N28Y (DIA.-145.00MM)	YANMAR	N28Y		
C411Y02410000N	CYLINDER LINER (PLAIN BORE) YANMAR ND-140 (DIA.- 96.00MM)	YANMAR	ND-140		
C411Y02420000N	CYLINDER LINER (PLAIN BORE) YANMAR NP-16 (DIA.- 110.00MM)	YANMAR	NP-16		
C411Y02940000N	CYLINDER LINER (PLAIN BORE) YANMAR NP-30 (DIA.- 155.00MM)	YANMAR	NP-30		
C411Y02950013Y	CYLINDER LINER (PLAIN BORE) YANMAR NP-35 (DIA.- 170.00MM) BLACK COLOUR LINER	YANMAR	NP-35		
C411Y02440000N	CYLINDER LINER (PLAIN BORE) YANMAR NS-10/TS-120 (DIA.- 88.00MM)	YANMAR	NS-10/TS-120		

Item Code	Description	Engine	Model	O.E.M. No	Reference No
C411Y02430000N	CYLINDER LINER (PLAIN BORE) YANMAR NS-10B (DIA.- 88.00MM)	YANMAR	NS-10B		
C411Y02450000N	CYLINDER LINER (PLAIN BORE) YANMAR NT-110 (DIA.- 110.00MM)	YANMAR	NT-110	OEM # 7033000190 0	
C411Y02460000N	CYLINDER LINER (PLAIN BORE) YANMAR NT-65 (DIA.-65.00MM)	YANMAR	NT-65		
C411Y02470000N	CYLINDER LINER (PLAIN BORE) YANMAR NT-70 (DIA.-70.00MM)	YANMAR	NT-70		
C411Y02480000N	CYLINDER LINER (PLAIN BORE) YANMAR NT-75 (DIA.-75.00MM)	YANMAR	NT-75		
C411Y02490000N	CYLINDER LINER (PLAIN BORE) YANMAR NT-80 (DIA.-80.00MM)	YANMAR	NT-80		
C411Y02500000N	CYLINDER LINER (PLAIN BORE) YANMAR NT-85 (DIA.-85.00MM)	YANMAR	NT-85		
C411Y02510000N	CYLINDER LINER (PLAIN BORE) YANMAR NT-95 (DIA.-95.00MM)	YANMAR	NT-95		
C411Y02530000Y	CYLINDER LINER (PLAIN BORE) YANMAR S70 (DIA.-80.00MM)	YANMAR	S70		
C411Y02540000N	CYLINDER LINER (PLAIN BORE) YANMAR S85 (DIA.-82.00MM) BODY DIA BLACK FINISH (COLLAR DIA, 2nd COLLAR DIA & BOTTOM DIA SHOULD BE GRINDING FINISH)	YANMAR	S85		
C411Y02120000N	CYLINDER LINER (PLAIN BORE) YANMAR SM3/SM4 (DIA.- 105.00MM)	YANMAR	SM3/SM4	OEM # 7223100183 0	
C411Y02580000N	CYLINDER LINER (PLAIN BORE) YANMAR SS-4 (DIA.-95.00MM)	YANMAR	SS-4		
C411Y02630000N	CYLINDER LINER (PLAIN BORE) YANMAR TA-100/SA-100 (DIA.- 88.00MM)	YANMAR	TA-100/SA- 100		

Item Code	Description	Engine	Model	O.E.M. No	Reference No
C411Y02640000N	CYLINDER LINER (PLAIN BORE) YANMAR TA-120/SA-120 (DIA.- 90.00MM)	YANMAR	TA-120/SA- 120		
C411Y02650000N	CYLINDER LINER (PLAIN BORE) YANMAR TA-140 (DIA.- 95.00MM)	YANMAR	TA-140		
C411Y02600000N	CYLINDER LINER (PLAIN BORE) YANMAR TA-60/SA-60 (DIA.- 75.00MM)	YANMAR	TA-60/SA-60		
C411Y02610000N	CYLINDER LINER (PLAIN BORE) YANMAR TA-70/SA-70 (DIA.- 80.00MM)	YANMAR	TA-70/SA-70		
C411Y02620000N	CYLINDER LINER (PLAIN BORE) YANMAR TA-80/SA-80 (DIA.- 84.00MM)	YANMAR	TA-80/SA-80		
C411Y02670000N	CYLINDER LINER (PLAIN BORE) YANMAR TF-105/TF-110 (DIA.- 88.00MM)	YANMAR	TF-105/TF- 110	OEM # 7055000190 0	
C411Y02680000N	CYLINDER LINER (PLAIN BORE) YANMAR TF-115/TF-120 (DIA.- 92.00MM)	YANMAR	TF-115/TF- 120	OEM # 7056000190 0	
C411Y02690000N	CYLINDER LINER (PLAIN BORE) YANMAR TF-135/TF-140 (DIA.- 96.00MM)	YANMAR	TF-135/TF- 140		
C411Y02700000N	CYLINDER LINER (PLAIN BORE) YANMAR TF-155/TF-160 (DIA.- 102.00MM)	YANMAR	TF-155/TF- 160		
C411Y02710000N	CYLINDER LINER (PLAIN BORE) YANMAR TF-50 (DIA.-74.00MM)	YANMAR	TF-50	OEM # 7050900190 0	
C411Y02720000N	CYLINDER LINER (PLAIN BORE) YANMAR TF-55/TF-60 (DIA.- 75.00MM)	YANMAR	TF-55/TF-60	OEM # 7051000190 0	
C411Y02730000N	CYLINDER LINER (PLAIN BORE) YANMAR TF-65/TF-70 (DIA.- 78.00MM)	YANMAR	TF-65/TF-70	OEM # 7052000190 0	
C411Y02740000N	CYLINDER LINER (PLAIN BORE) YANMAR TF-75/TF-80 (DIA.- 80.00MM)	YANMAR	TF-75/TF-80	OEM # 7053000190 0	
C411Y02750000N	CYLINDER LINER (PLAIN BORE) YANMAR TF-85/TF-90 (DIA.- 85.00MM)	YANMAR	TF-85/TF-90	OEM # 7054000190 0	

Item Code	Description	Engine	Model	O.E.M. No	Reference No
C411Y02800000N	CYLINDER LINER (PLAIN BORE) YANMAR TH-10/TS-155 (DIA.- 95.00MM)	YANMAR	TH-10/TS- 155	OEM # 7038540190 0	
C411Y02810000N	CYLINDER LINER (PLAIN BORE) YANMAR TH-13/TS-180 (DIA.- 102.00MM)	YANMAR	TH-13/TS- 180	OEM # 7039540190 0	
C411Y02840000N	CYLINDER LINER (PLAIN BORE) YANMAR TH-3/TS-50 (DIA.- 70.00MM)	YANMAR	TH-3/TS-50	OEM # 7041000190 0	
C411Y02850000N	CYLINDER LINER (PLAIN BORE) YANMAR TH-4/TS-60 (DIA.- 75.00MM)	YANMAR	TH-4/TS-60	OEM # 7042000190 0	
C411Y02860000N	CYLINDER LINER (PLAIN BORE) YANMAR TH-5/TS-70 (DIA.- 80.00MM)	YANMAR	TH-5/TS-70	OEM # 7043000190 0	
C411Y02870000N	CYLINDER LINER (PLAIN BORE) YANMAR TH-6/TS-80 (DIA.- 80.00MM)	YANMAR	TH-6/TS-80	OEM # 7044000190 0	
C411Y02770000N	CYLINDER LINER (PLAIN BORE) YANMAR TH-7/TS-105 (DIA.- 85.00MM)	YANMAR	TH-7/TS-105	OEM # 7045000190 0	
C411Y02790000N	CYLINDER LINER (PLAIN BORE) YANMAR TH-8/TS-130 (DIA.- 92.00MM)	YANMAR	TH-8/TS-130	OEM # 7046000190 0	
C411Y02760000N	CYLINDER LINER (PLAIN BORE) YANMAR THC-75 (DIA.- 88.00MM)	YANMAR	THC-75		
C411Y02820000N	CYLINDER LINER (PLAIN BORE) YANMAR TS-190 (DIA.- 110.00MM)	YANMAR	TS-190	OEM # 7058900190 0	
C411Y02830000N	CYLINDER LINER (PLAIN BORE) YANMAR TS-230 (DIA.- 112.00MM)	YANMAR	TS-230		
C411Y02880000N	CYLINDER LINER (PLAIN BORE) YANMAR YM-1500, YM-2500 (DIA.-80.00MM)	YANMAR	YM-1500, YM- 2500	OEM # 7241600190 0	
C411Y02890000N	CYLINDER LINER (PLAIN BORE) YANMAR YM-2000 (DIA.- 88.00MM)	YANMAR	YM-2000	OEM # 7247500190 0	
C411Y02900000N	CYLINDER LINER (PLAIN BORE) YANMAR YM-2200 (DIA.- 90.00MM)	YANMAR	YM-2200		

Item Code	Description	Engine	Model	O.E.M. No	Reference No
C411Y02920000N	CYLINDER LINER (PLAIN BORE) YANMAR YM-2700 (DIA.- 90.00MM)	YANMAR	YM-2700		
C411Z01010000N	CYLINDER LINER (PLAIN BORE) ZETOR 100 (DIA.-100.00MM)	ZETOR	100	OEM # 59010156 & 67010124	MAHLE # 595WN02 & BF # 20044547010
C411Z01020000N	CYLINDER LINER (PLAIN BORE) ZETOR 102 (DIA.-102.00MM)	ZETOR	102	69010153, 69010168 & 11801105	MAHLE # 595WN04 KS # 89058110 & BF # 20044549010
C411Z01030000N	CYLINDER LINER (PLAIN BORE) ZETOR 105 (ZETOR 50,HINDUSTAN 50,SUPER 25) DIA.-105.00MM	ZETOR	105	OEM # 170109	
C411Z01040000N	CYLINDER LINER (PLAIN BORE) ZETOR 110 OR URSUS TRACTOR C-385T,C-385W (DIA.- 110.00MM)	ZETOR	110	OEM # 280002002	MAHLE # 595WN03 KS # 88877110 & BF # 20044580010
C411Z01060000N	CYLINDER LINER (PLAIN BORE) ZETOR 25A,25K (DIA.- 105.00MM)	ZETOR	25A, 25K		
C411Z01080000N	CYLINDER LINER (PLAIN BORE) ZETOR 80 HP (DIA.-111.00MM)	ZETOR	80 H.P.		
C411Z01090000N	CYLINDER LINER (PLAIN BORE) ZETOR 95 (2001/2011/3001/3011/4001) OR URSUS TRACTOR C-360 (DIA.- 95.00MM)	ZETOR	95 (2001/2011/ 3001/3011/4 001)	OEM # 3950116 & 5050116	



Exporting quality engine components
to more than 60 countries

Since
1953

Selling over
10 million Engine Parts

Across
200+ Distributors



A - T R A C

LINERS • PISTONS • VALVES

A-trac Engineering Co. (Auditrac Group)

4th Floor, C Wing, Fortune 2000 Building, BKC, Bandra (E), Mumbai - 400 051, INDIA
+91 22 62255666 • info@atracparts.com • www.atracparts.com